

# **INSTALLATION**

## *Product Manual*

Version: 590032US-01-25A-FH



### **IMPORTANT INFORMATION!**

please read the entire manual before starting to assemble and/or using this product. follow the manual thoroughly and keep it for further reference.



### **AVOID SCRATCHES!**

In order to avoid scratching this furniture should be assembled on a soft layer- could be a rug.



### **IMPROVE EFFICIENCY !**

Try to find a partner to install with you, which can speed up the installation efficiency and shorten the time.



### **ANTI-TOPPLE WARNING !**

Overturnd furniture can cause serious or fatal crush injuries. To prevent tipping over, be sure to use the wall attachment, if not included with this product. Please purchase the wall attachment that fit your wall. If unsure, seek professional advice. Please read and follow each step of the instructions carefully.

### **IMPORTANT !**

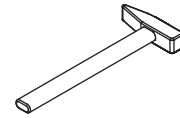
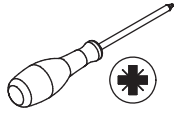
It is important that any product which is assembled using any kind of screw is re-tightened 2 weeks after assembly, and once every 3 months - in order to assure stability through-out the lifespan of the product.

For regular maintenance and cleaning of the product, for the frame, please use a rag dipped in neutral detergent to fully wipe it, and then dry it with a clean rag. For glass materials, wipe with a rag dampened with water glass cleaner, and then dry with a dry rag.

Do not use an electric screwdriver, and do not use too much force when installing, because the board is easy to break.

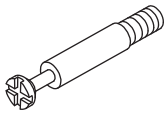


Please prepare the following tools



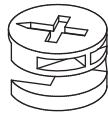
When installing, please carefully confirm whether each screw corresponds to the manual, accessories with similar shapes can be distinguished by size

A x 120+2



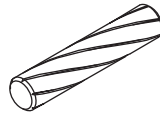
M6 x 35 mm

B x 120+2



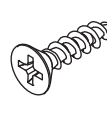
Ø15 mm

C x 40+2



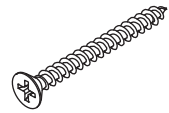
Ø8 x 30 mm

D x 78+2



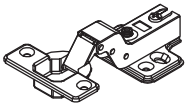
M3.5 x 14 mm

E x 70+2



M4 x 40 mm

F x 4

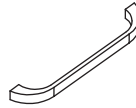


G x 67+2

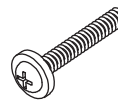


Ø20 mm

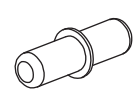
H x 8



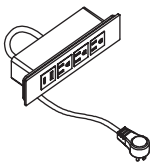
I x 16+2



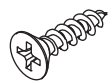
J x 8+2



K x 1

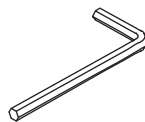


L x 58+2



M3.5 x 12 mm

M x 1



M4

N x 18



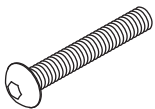
350 mm

O x 8+2



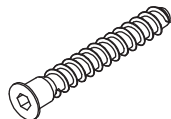
M6 x 20 mm

P x 14+2



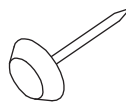
M6 x 50 mm

Q x 12+2



M7 x 38 mm

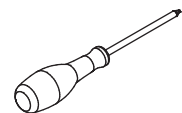
R x 16+2

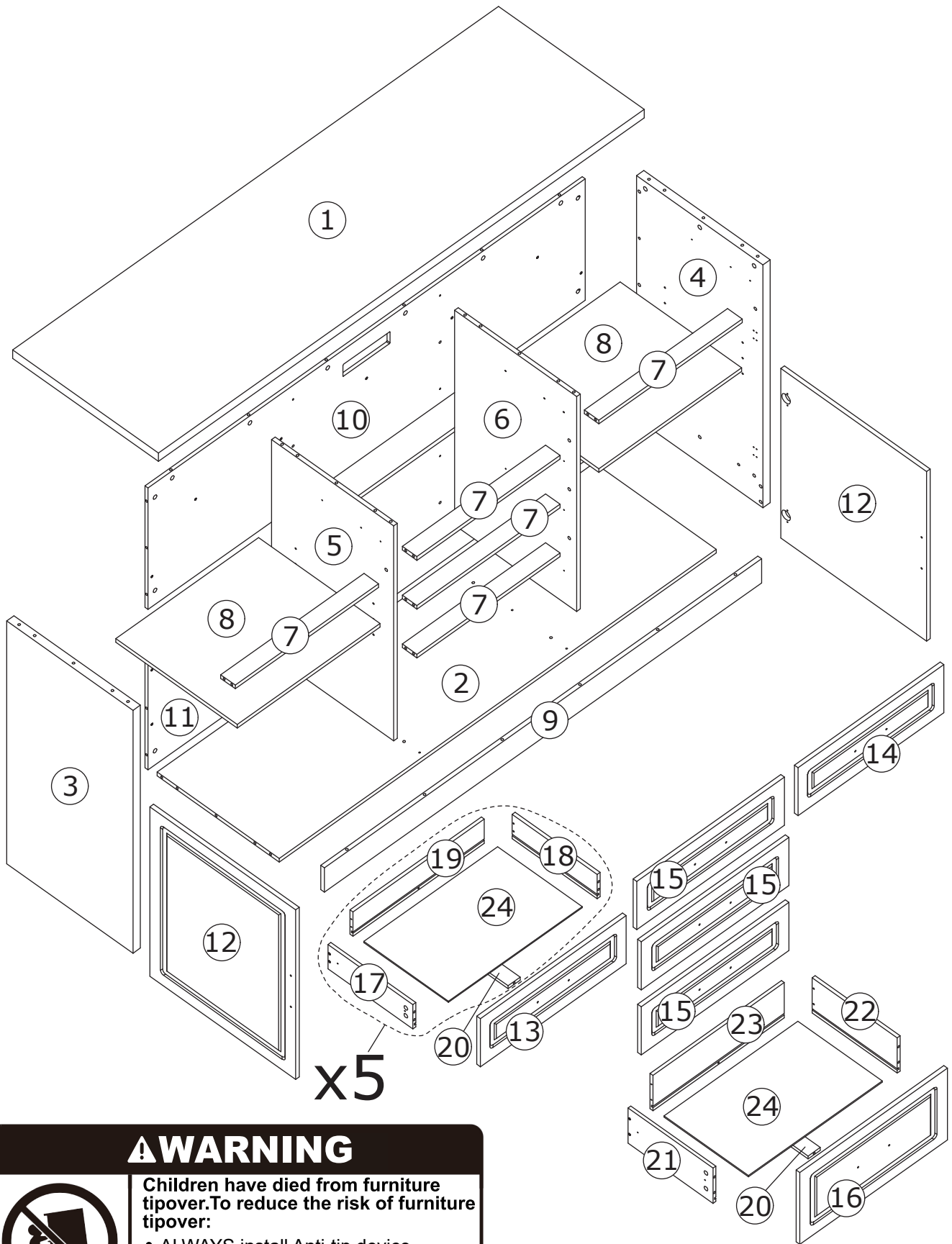


S x 3



T x 1





## ⚠ WARNING

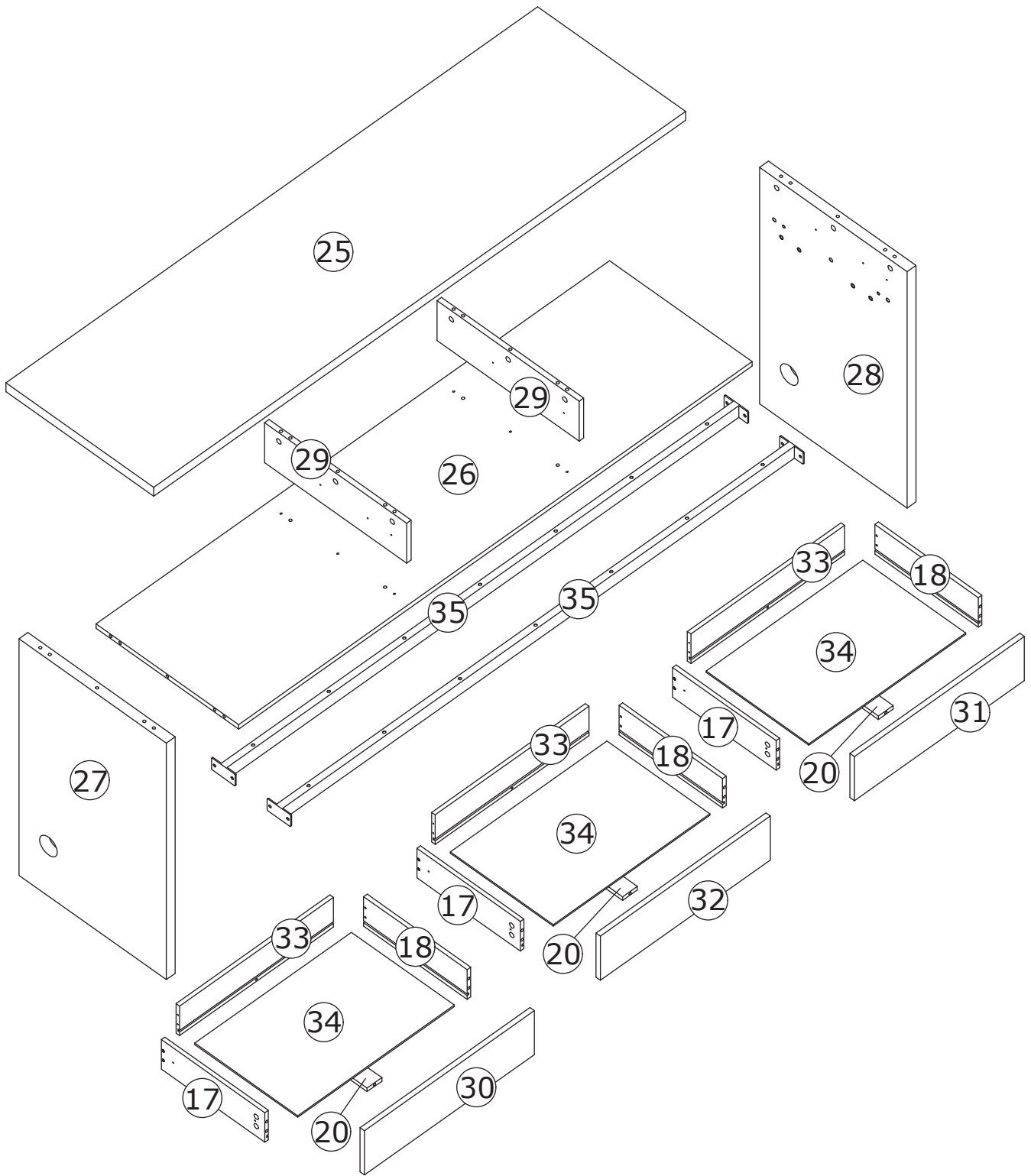


**Children have died from furniture tipover. To reduce the risk of furniture tipover:**

- ALWAYS install Anti-tip device provided.
- NEVER put a TV on this product.
- NEVER allow children to stand, climb or hang on drawers, doors, or shelves.
- NEVER open more than one drawer at a time.
- Place heaviest items in the lowest drawers.

*This is a permanent label.  
Do not remove!*





## ⚠ WARNING

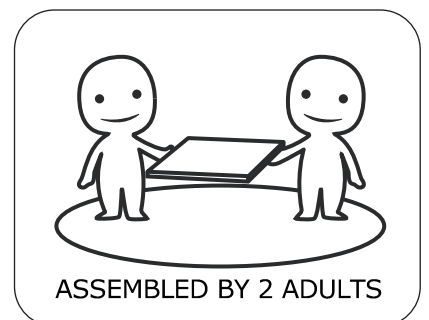


**Children have died from furniture tipover. To reduce the risk of furniture tipover:**

- ALWAYS install Anti-tip device provided.
- NEVER put a TV on this product.
- NEVER allow children to stand, climb or hang on drawers, doors, or shelves.
- NEVER open more than one drawer at a time.
- Place heaviest items in the lowest drawers.



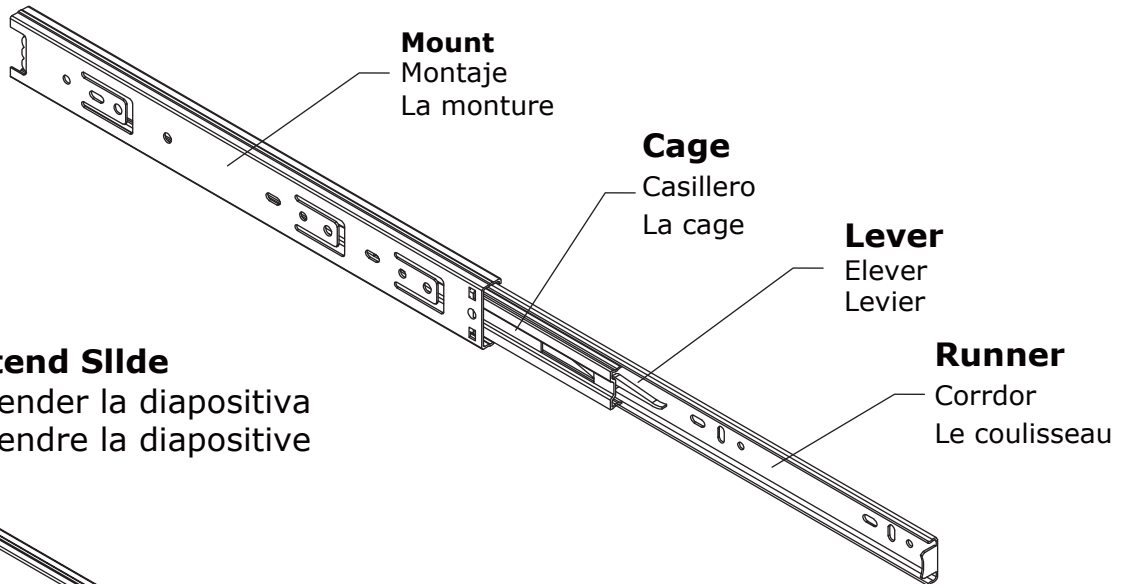
*This is a permanent label.  
Do not remove!*



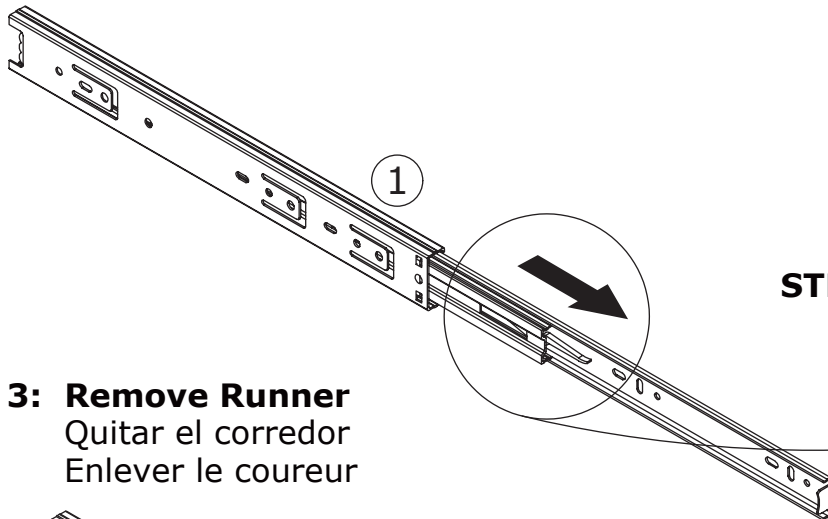
**Slides Must Be Separated Before Assembly.  
After Separated, Set Aside Until Needed for Assembly.**

Las diapositivas deben separarse antes del montaje.  
Después de la separación, déjelo a un lado hasta que sea necesario.

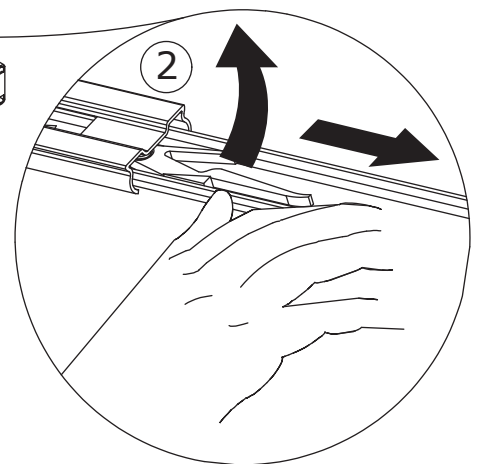
Les glissières doivent être séparées avant l'assemblage.  
Après la séparation, mettez de côté jusqu'au moment de l'assemblage.



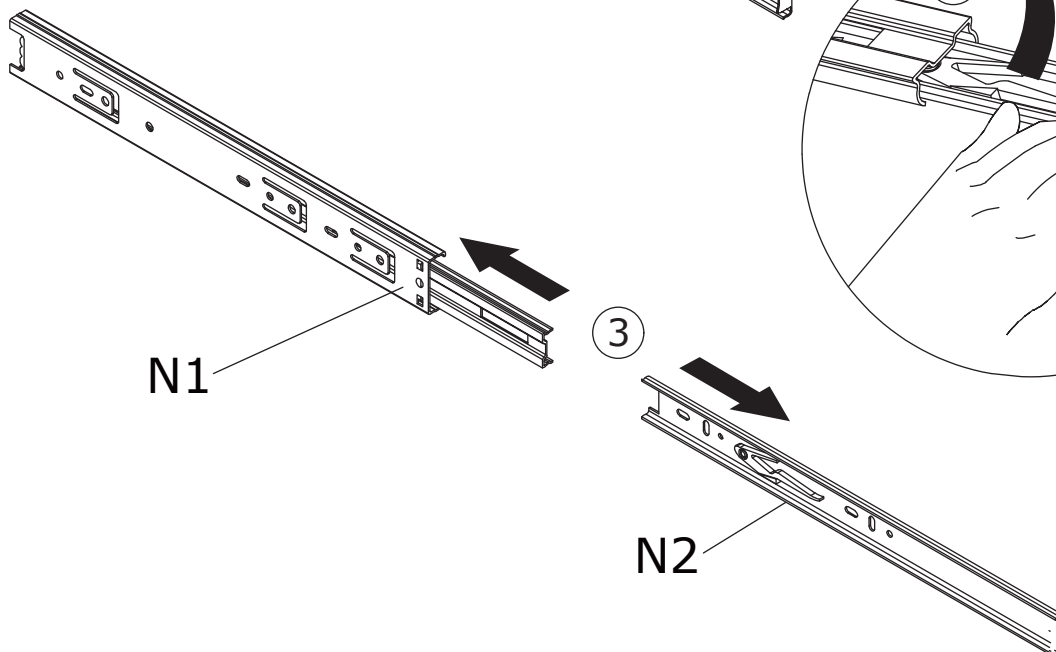
**STEP 1: Extend Slide**  
Extender la diapositiva  
Extendre la diapositive



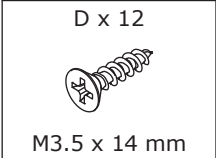
**STEP 2: Push Lever UP**  
Empujar hacia arriba  
Levier le levier



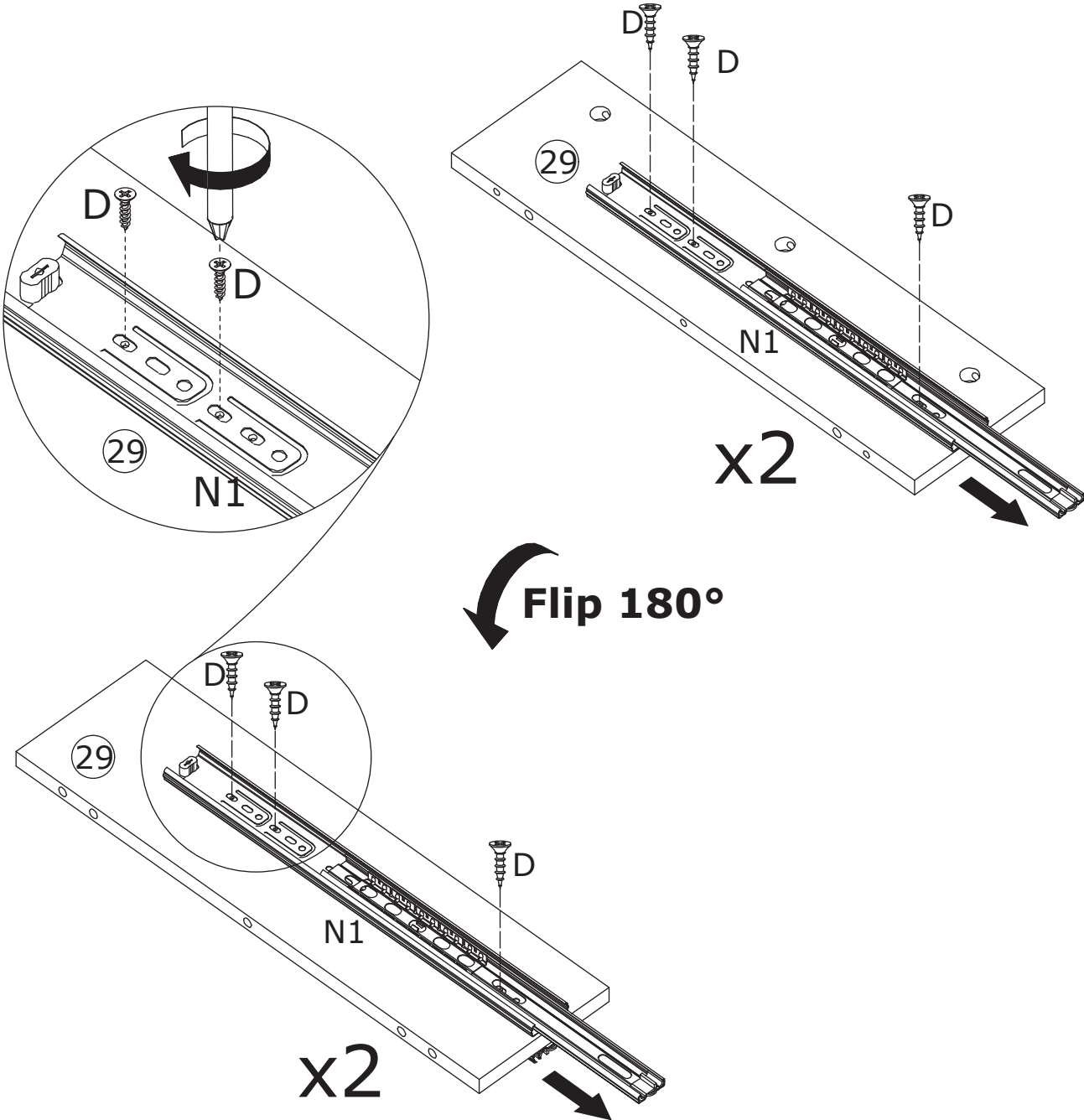
**STEP 3: Remove Runner**  
Quitar el corredor  
Enlever le coureur



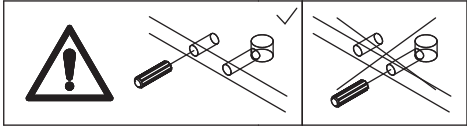
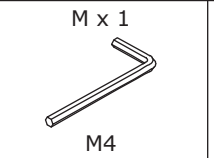
1



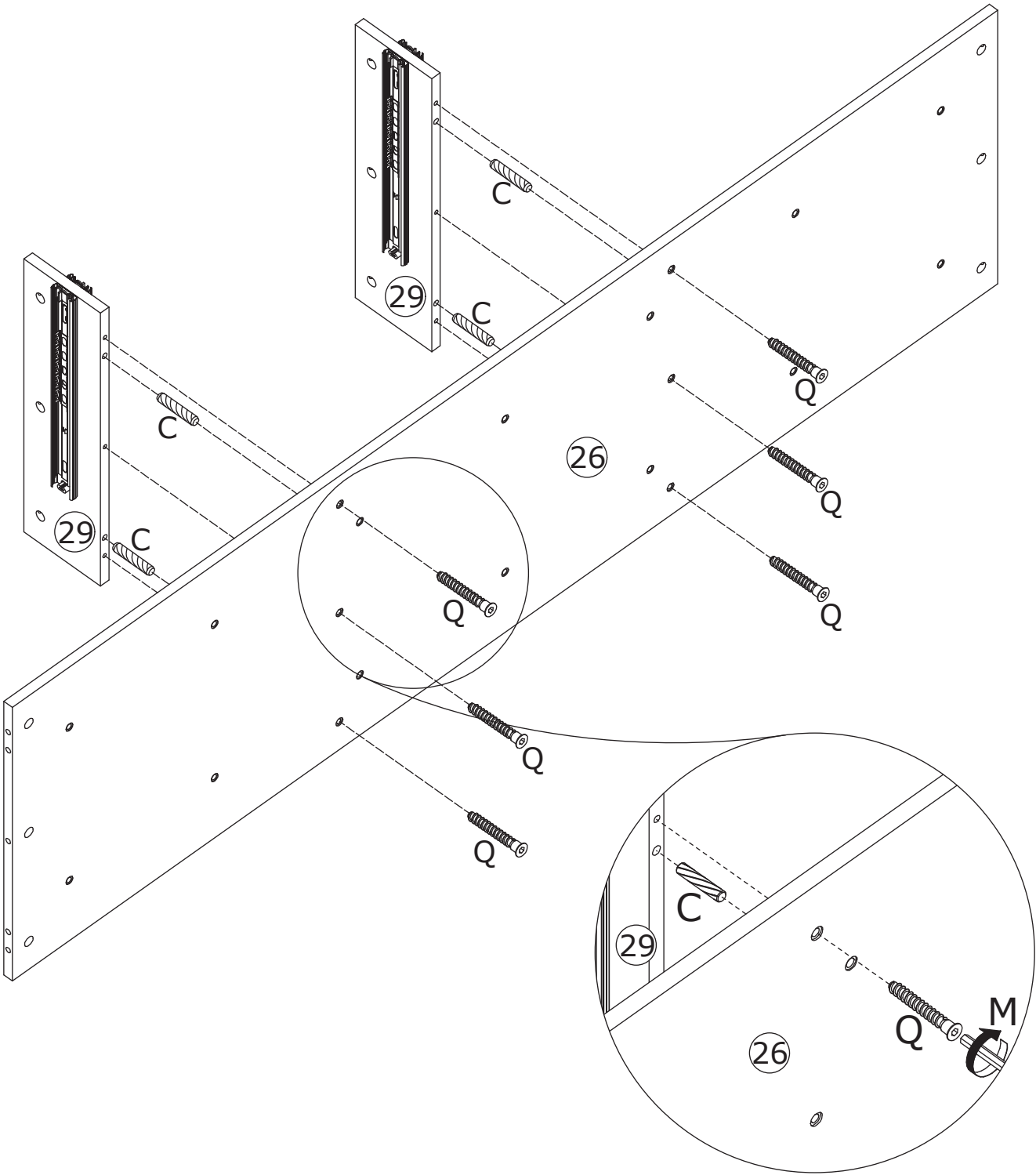
Secure rail N (N1 section) to **both sides of** board 29 using screw D.



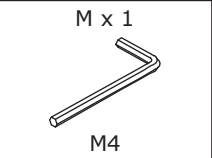
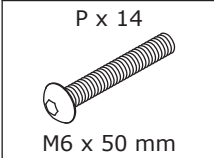
2



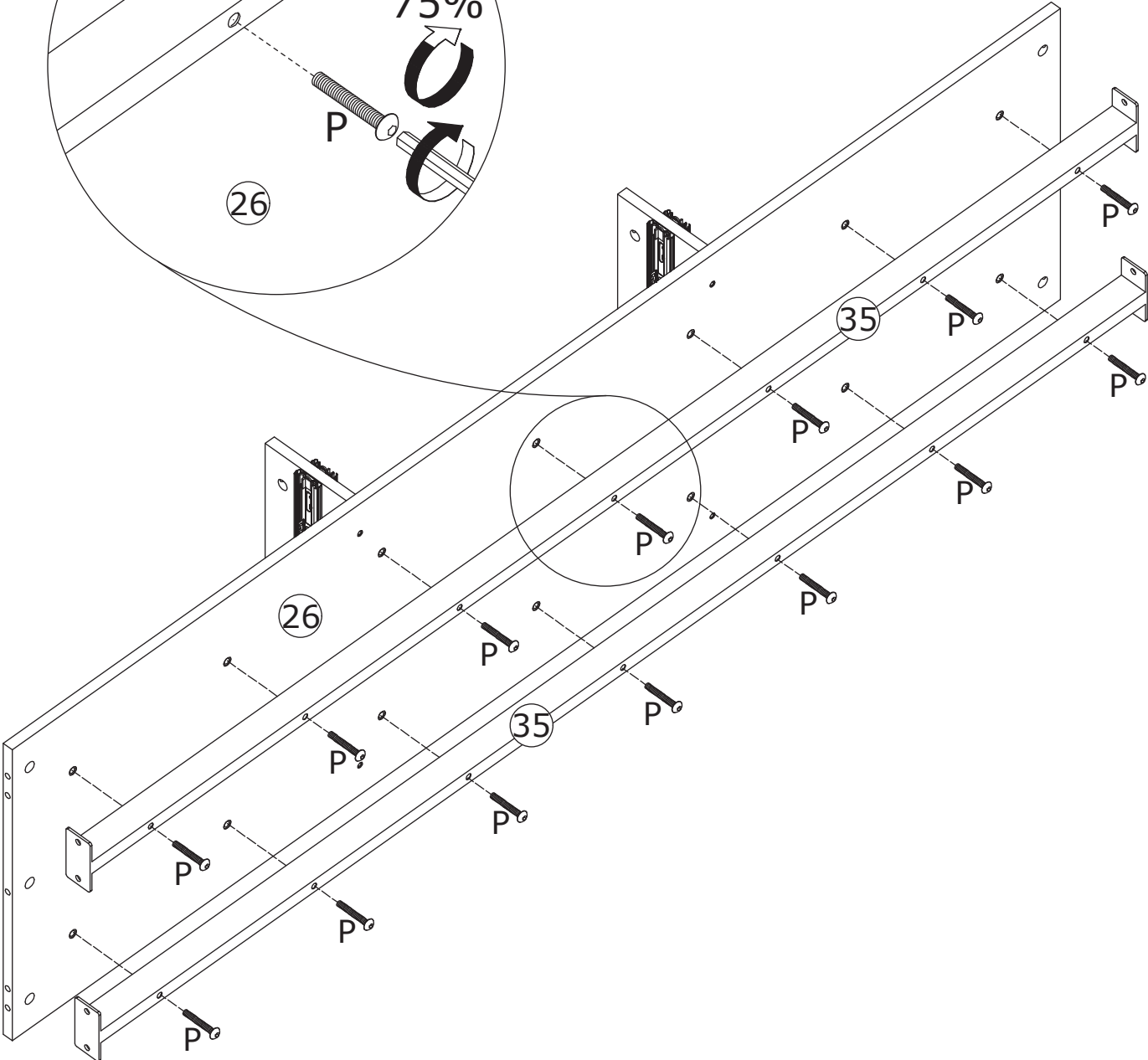
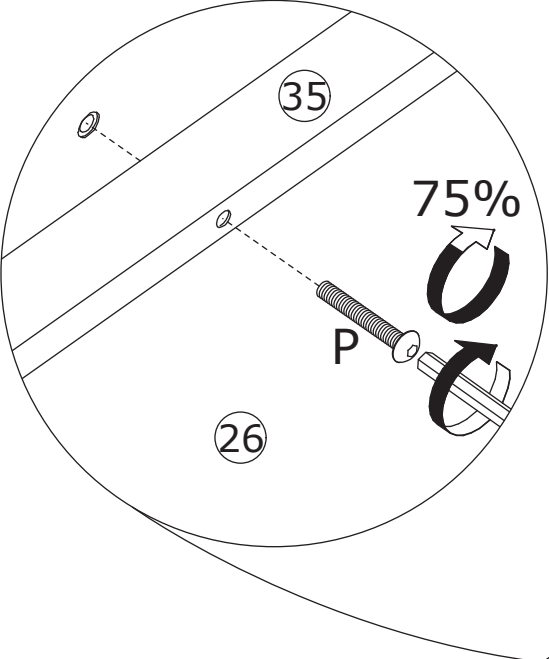
Connect board 26 and 29 using dowel C, then secure with screw Q.



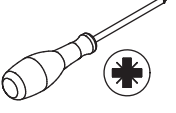
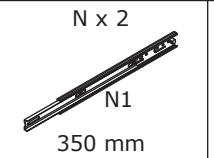
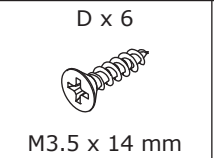
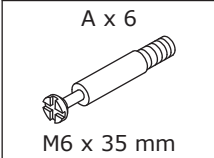
3



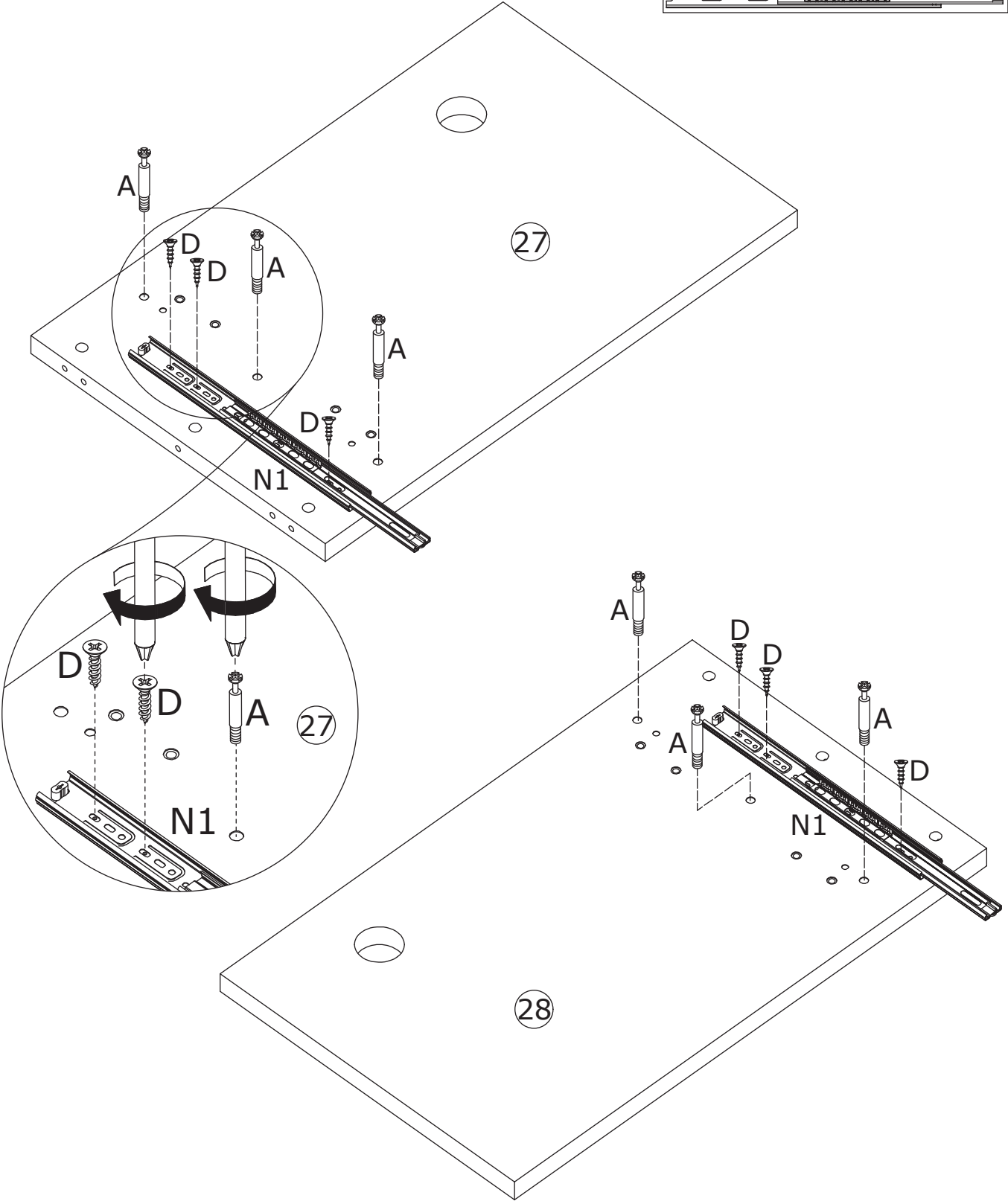
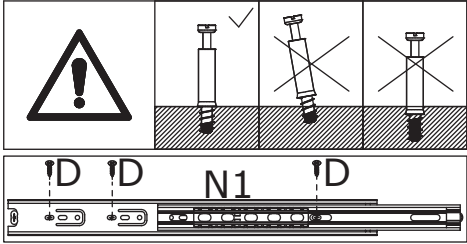
Secure metal tube 35 to board 26 using screw P.




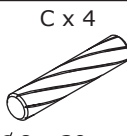

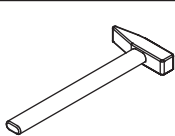
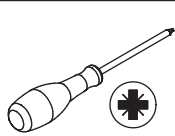

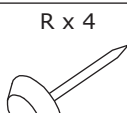

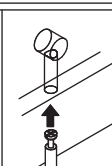
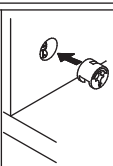
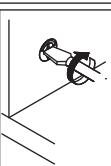
4



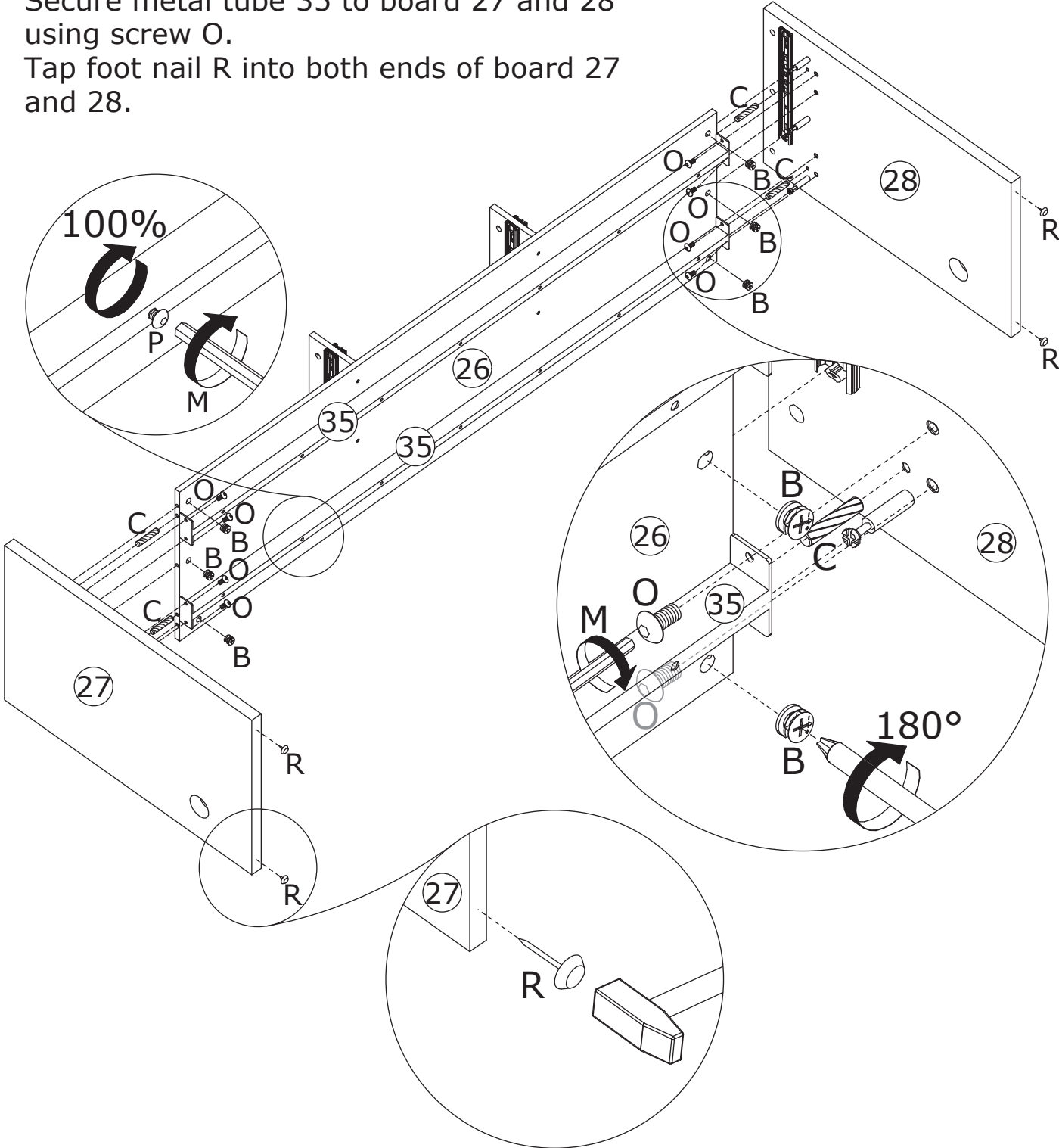
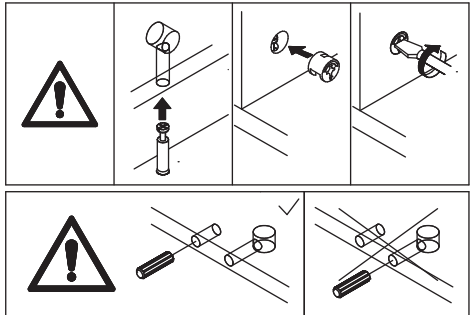
Secure rail N (N1 section) to boards 27 and 28 using screw D.  
Install threaded rod A to boards 27 and 28.



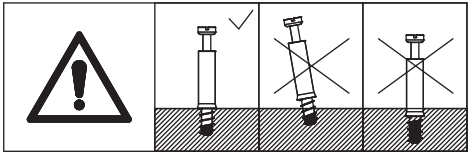
5

|  |  |   |   |   |   |   |
|--|--|---|---|---|---|---|
| <br>B x 6<br>Ø 15 mm     | <br>C x 4<br>Ø 8 x 30 mm | <br>M x 1<br>M4 |   |   |   |   |
| <br>O x 8<br>M6 x 20 mm | <br>R x 4               |   |  |  |  |  |

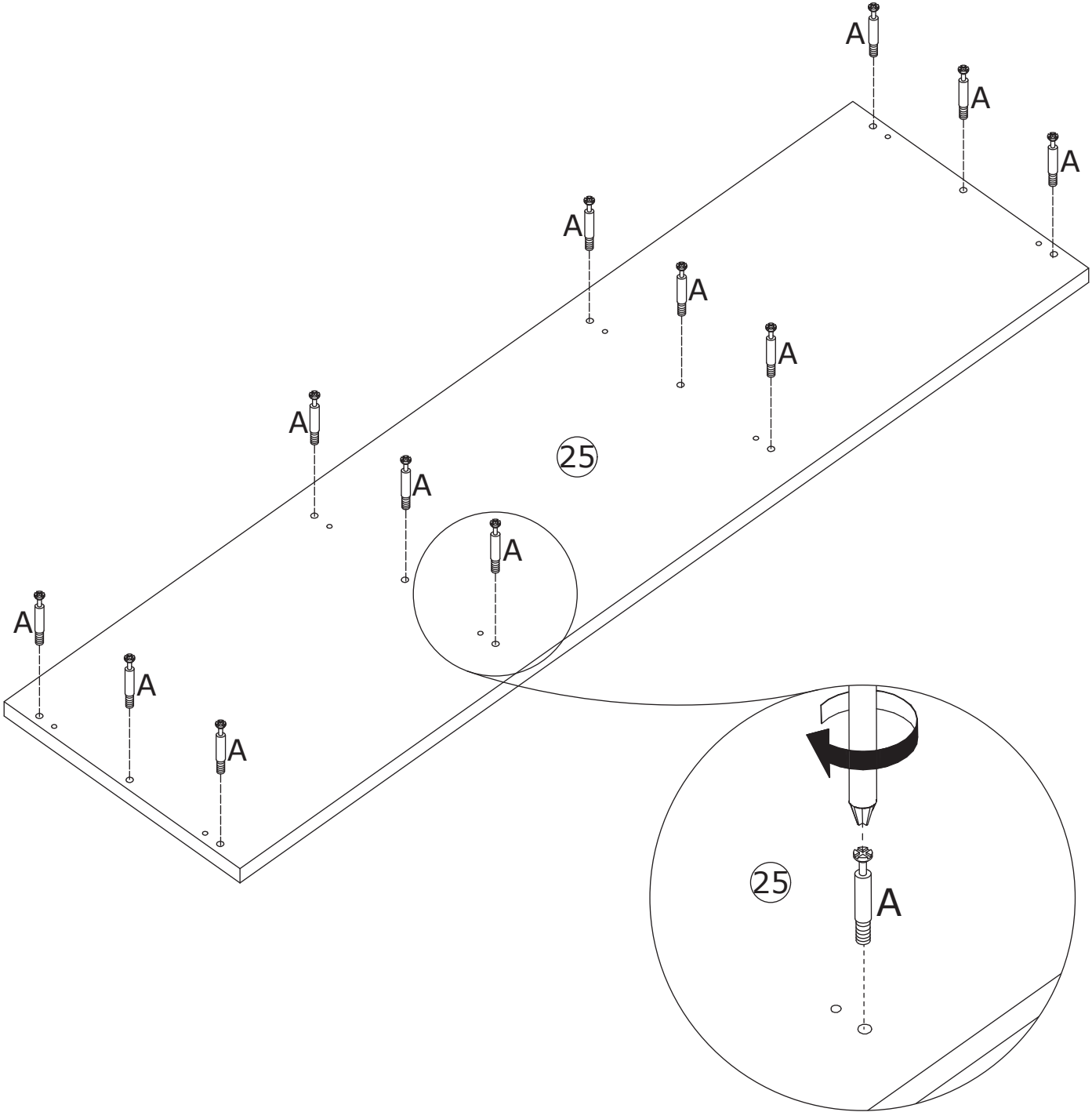
Connect board 27 and 28 to board 26 using dowel C, then turn the CAM lock B clockwise and tighten them. Secure metal tube 35 to board 27 and 28 using screw O. Tap foot nail R into both ends of board 27 and 28.



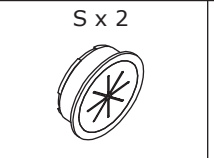
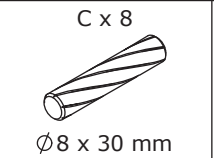
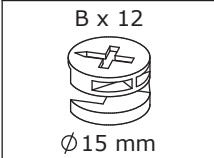
6



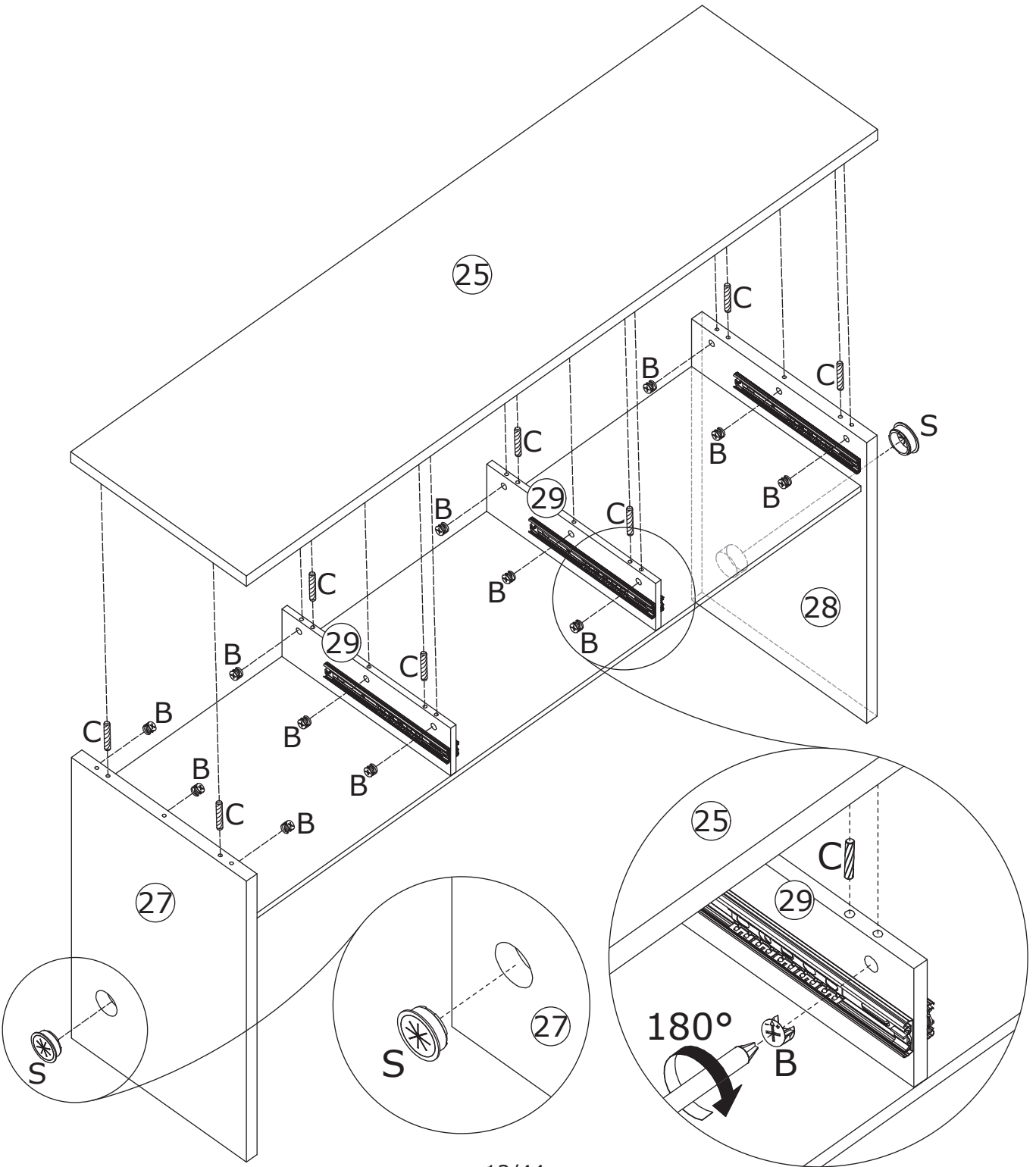
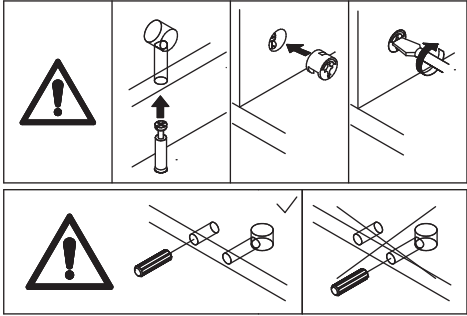
Install threaded rod A to board 25.



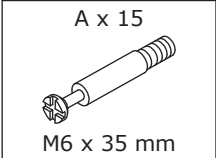
7



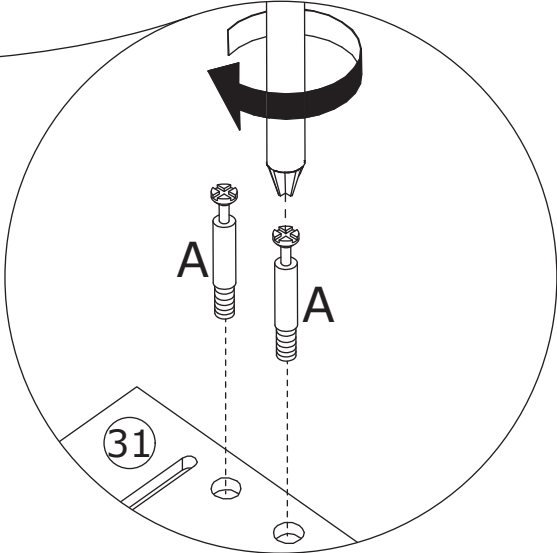
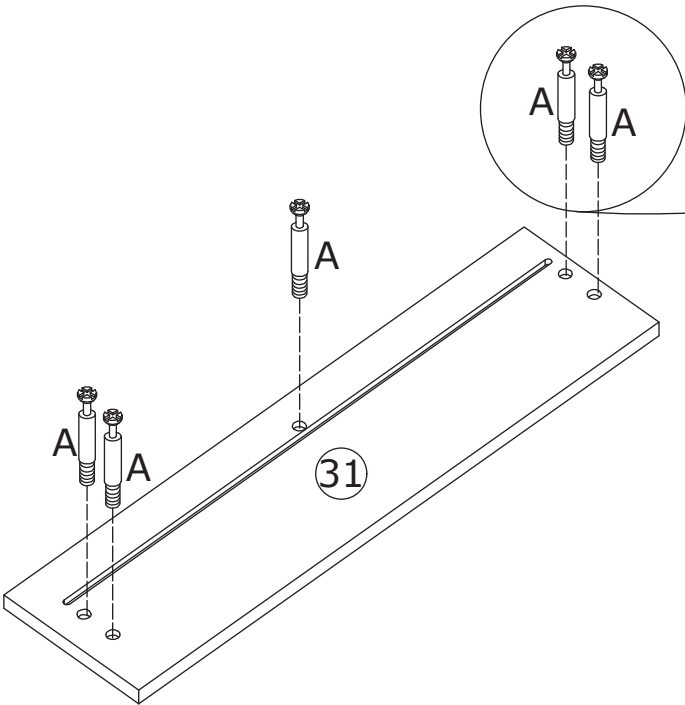
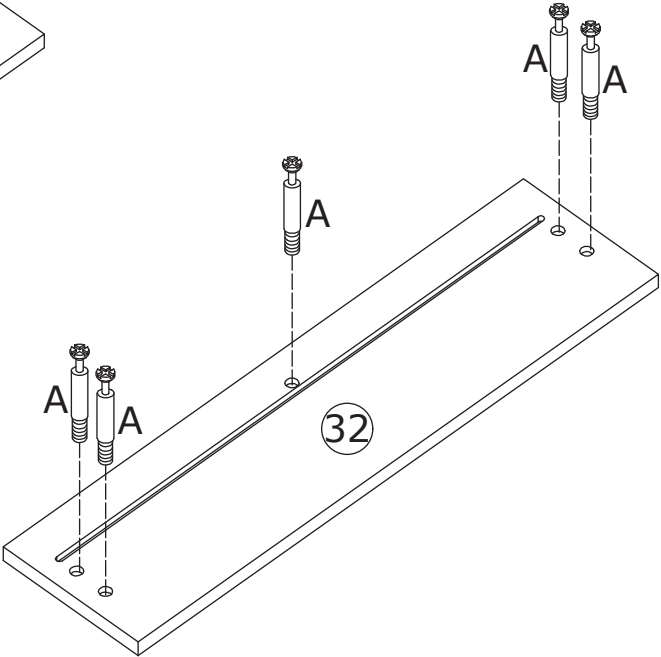
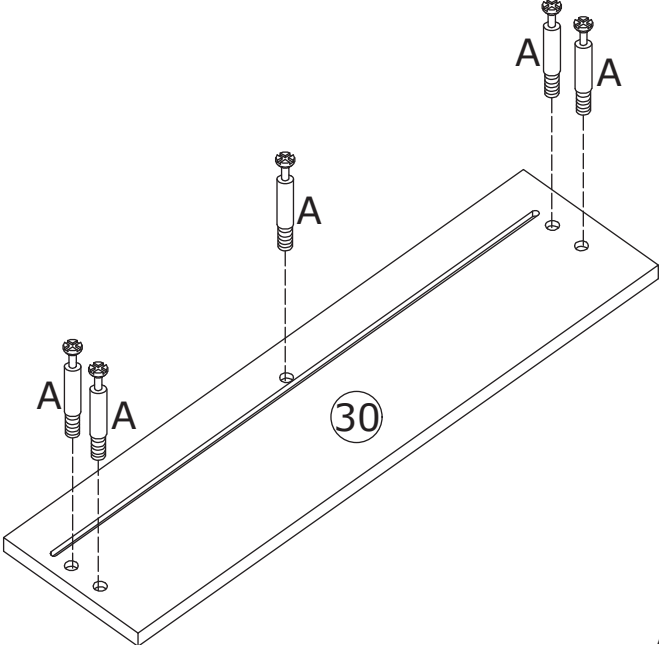
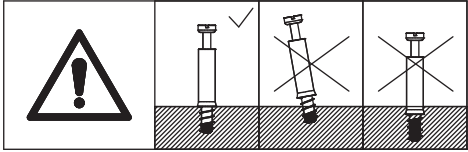
Connect board 25 to board 27, 29 and 28 using dowel C, then turn the CAM locks (B) clockwise and tighten them. Then place the wire box S into holes.



8



Install threaded rod A to board 30, 31 and 32.

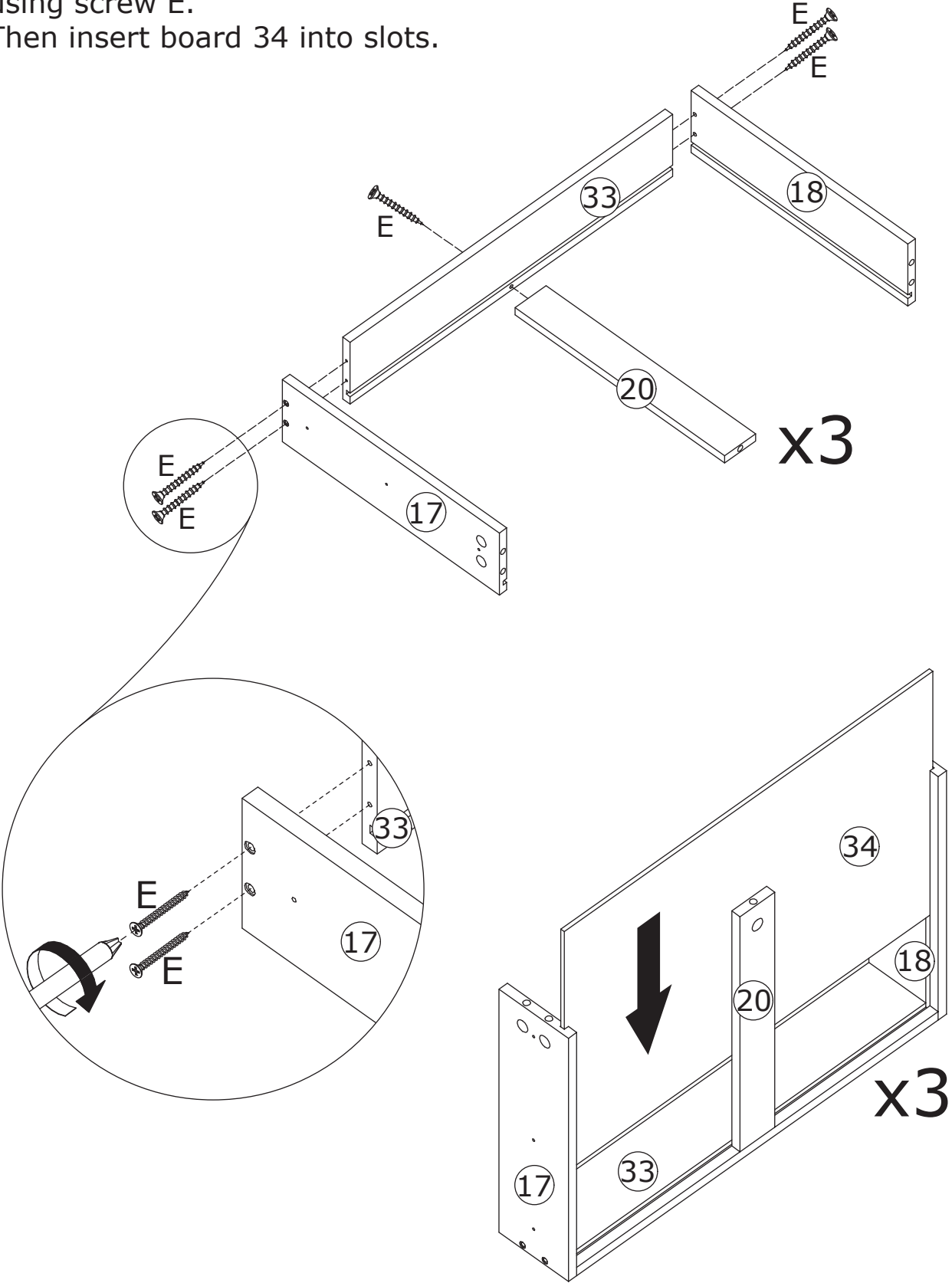


9

E x 15  
M4 x 40 mm



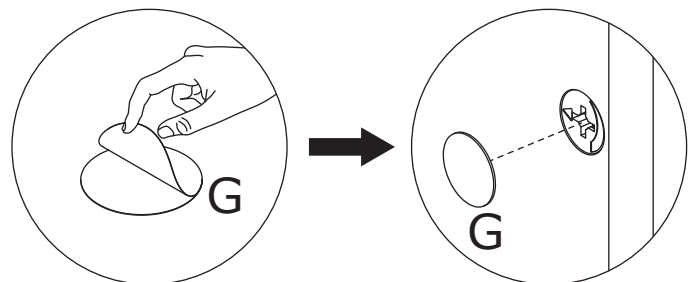
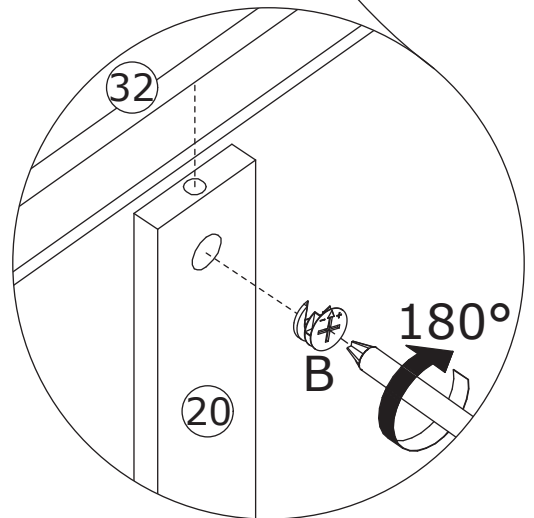
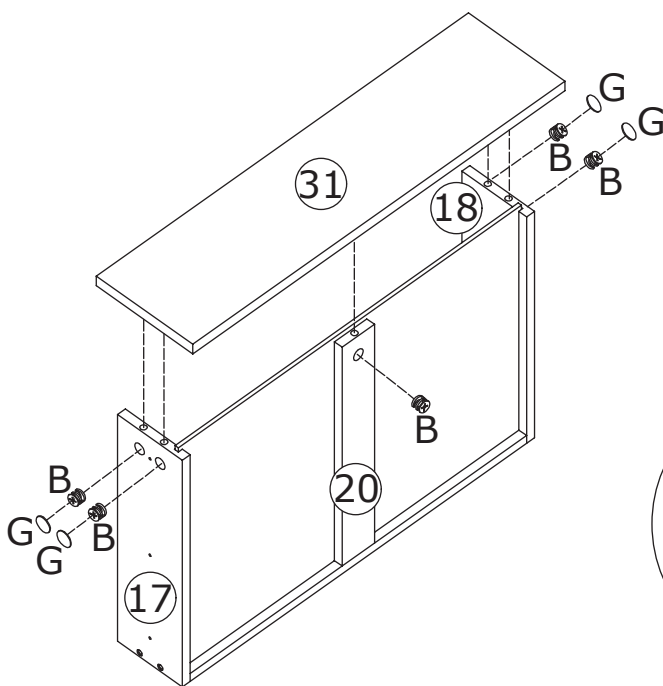
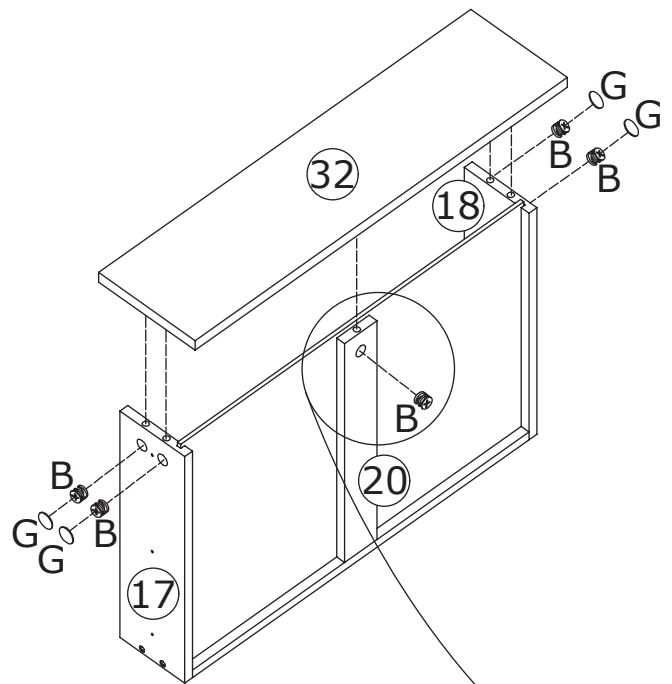
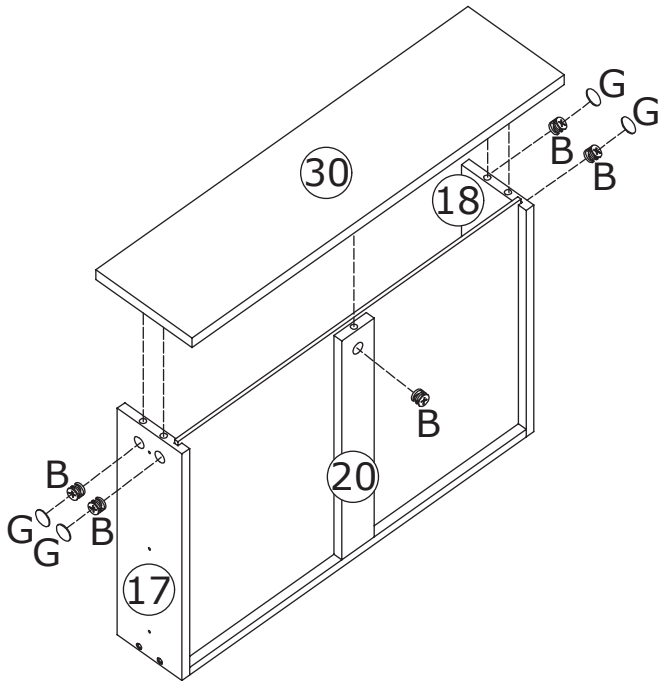
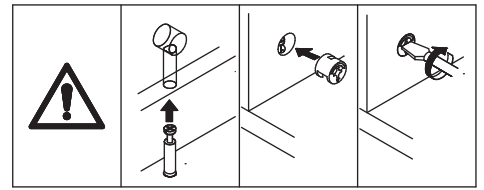
Secure board 17, 20 and 18 to board 33 using screw E.  
Then insert board 34 into slots.



10



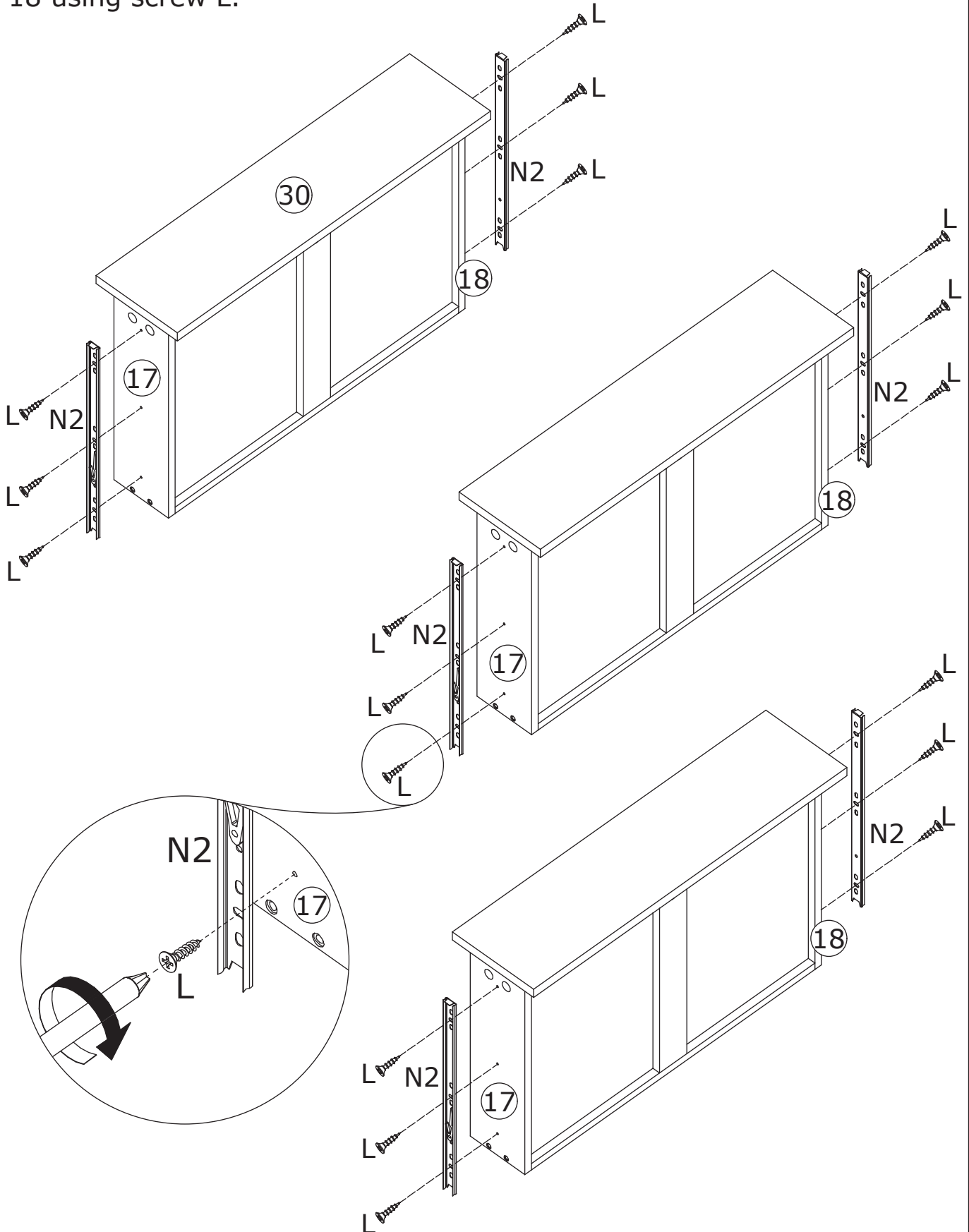
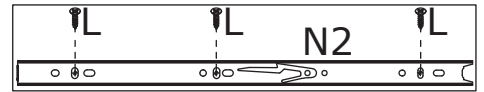
Connect board 30, 31 and 32 to board 17, 18 and 20 respectively, then turn the CAM locks B clockwise and tighten them. Hide the screw holes with hole cover G.



11

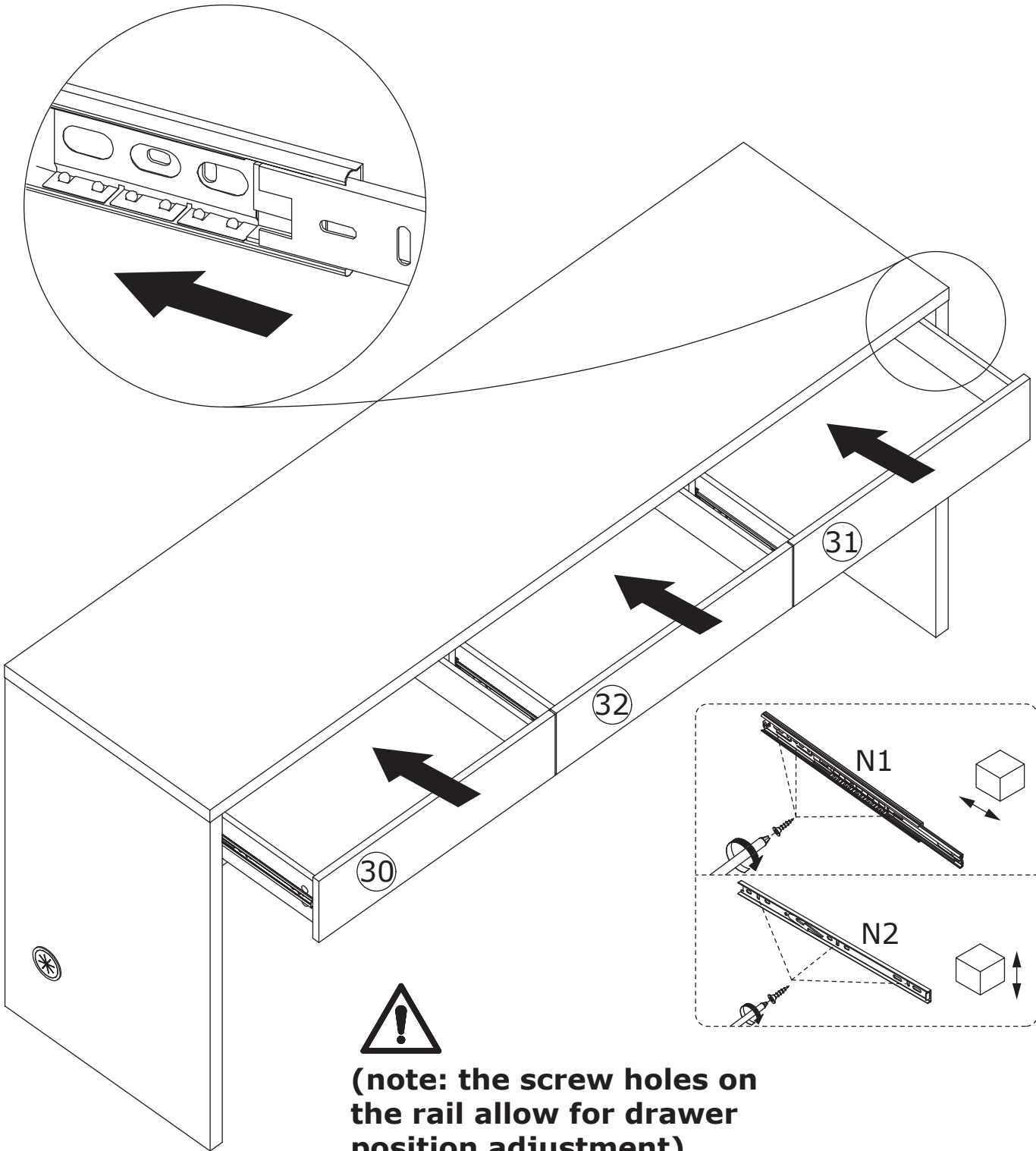
|  |   |   |
|--|---|---|
| <p>L x 18<br/>M3.5 x 12 mm</p>  | <p>N x 6<br/>350 mm</p>  |  |
|--|---|---|

Secure rail N (N2 section) to board 17 and 18 using screw L.

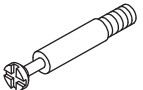
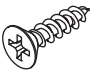
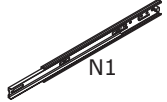
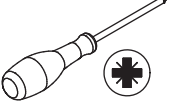


12

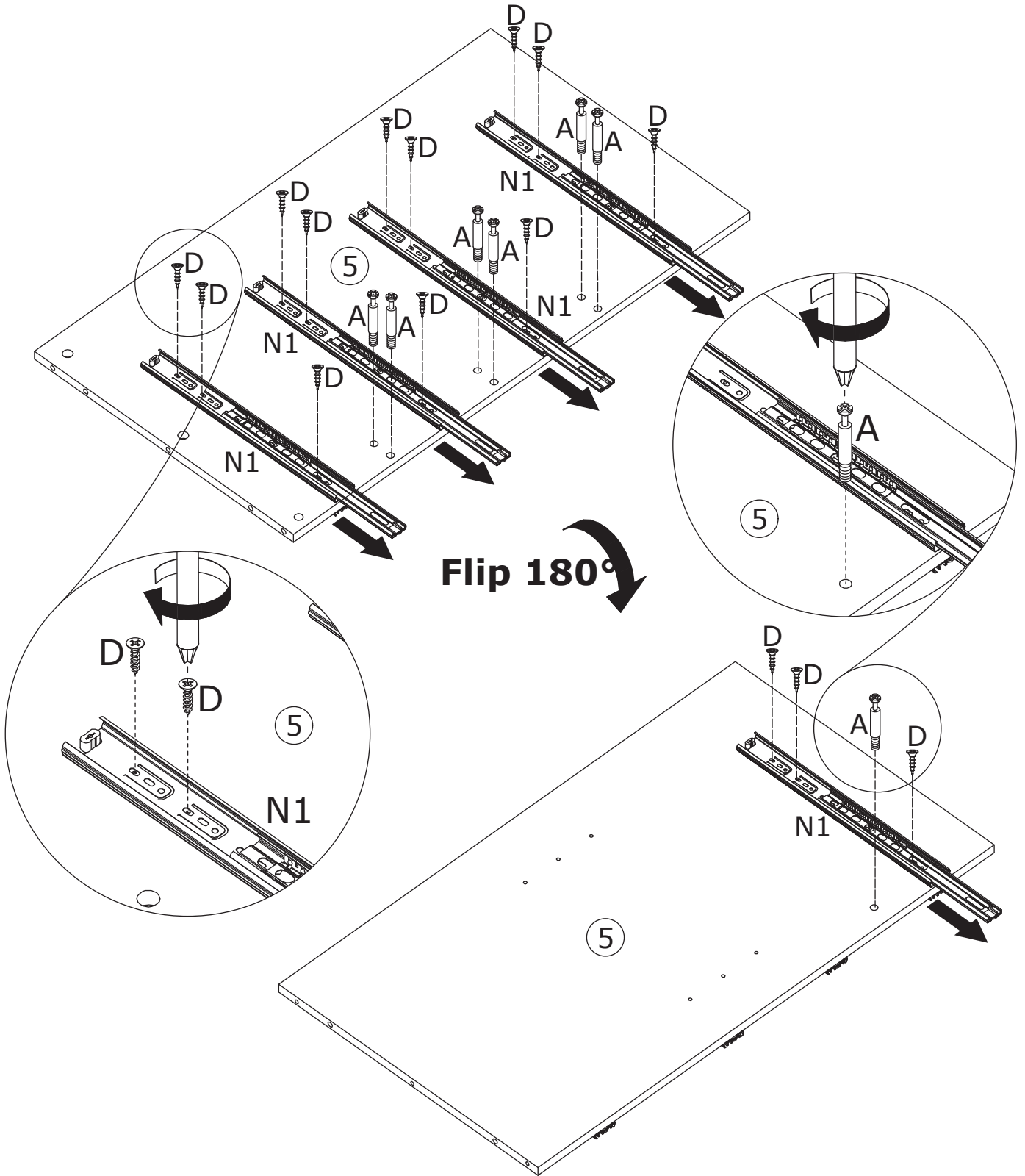
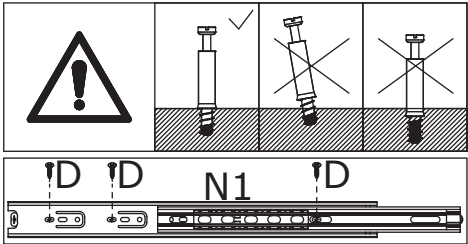
Insert the assembled drawers into the desk.



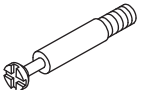
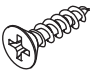

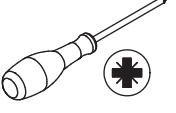
13

|  |   |   |   |
|--|---|---|---|
| <p>A x 7</p>  <p>M6 x 35 mm</p> | <p>D x 15</p>  <p>M3.5 x 14 mm</p> | <p>N x 5</p>  <p>N1<br/>350 mm</p> |  |
|--|---|---|---|

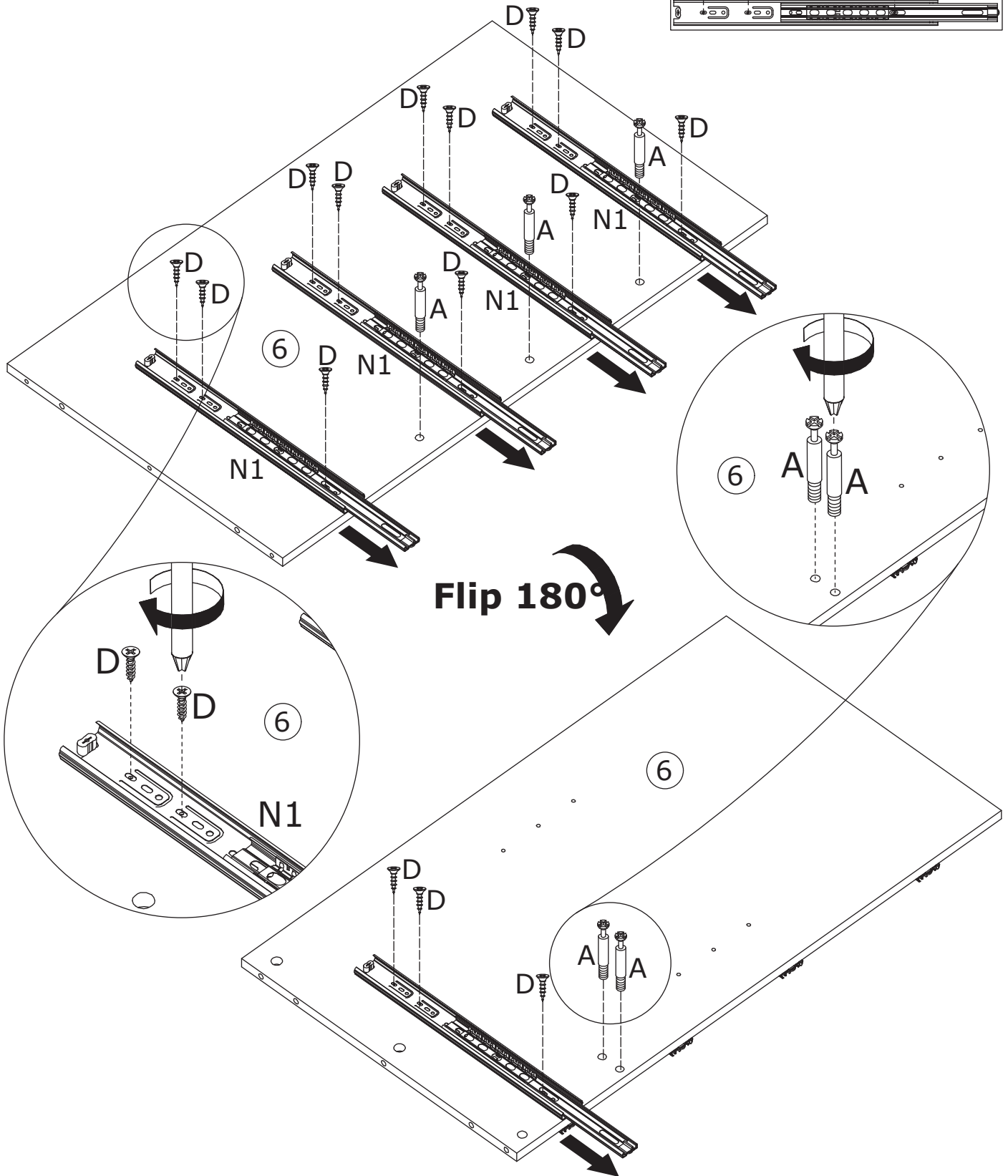
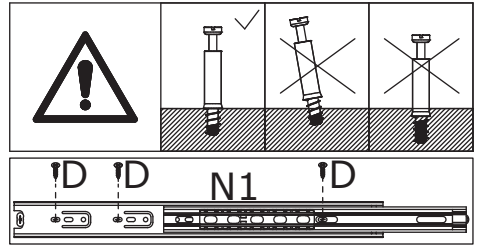
Secure rail N (N1 section) to **both sides** of board 5 using screw D.  
Then install threaded rod A to board 5.



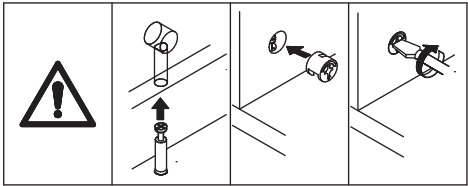
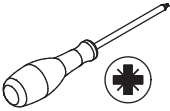
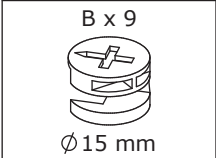
# 14

|  |   |  |   |
|--|---|--|---|
| <br>A x 5<br>M6 x 35 mm | <br>D x 15<br>M3.5 x 14 mm | <br>N x 5<br>N1<br>350 mm |  |
|--|---|--|---|

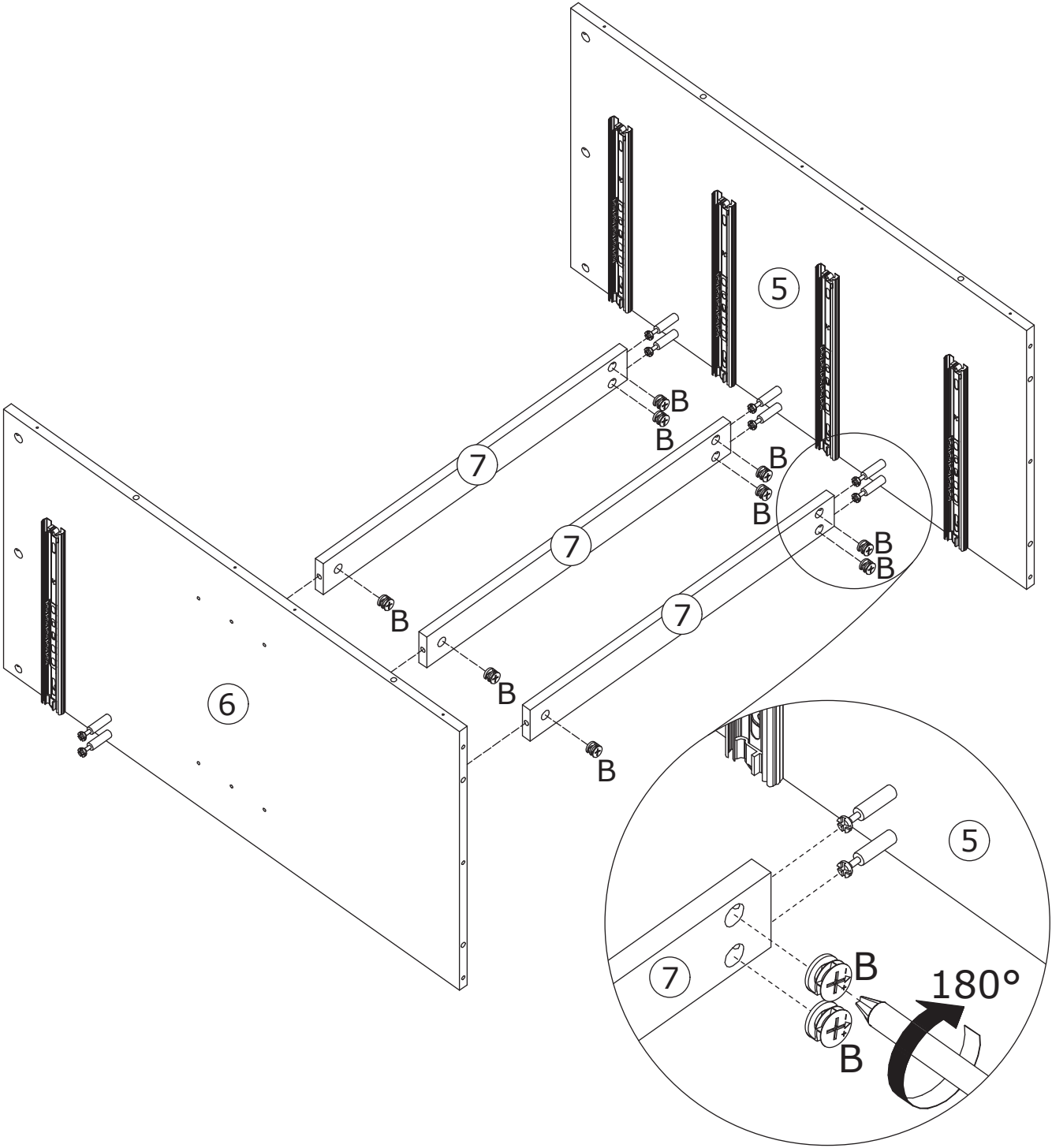
Secure rail N (N1 section) to **both sides of board 6** using screw D.  
Then install threaded rod A to board 6.



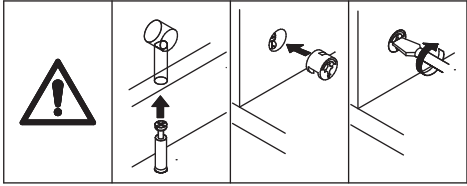
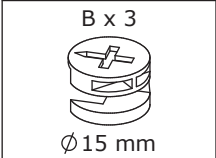
15



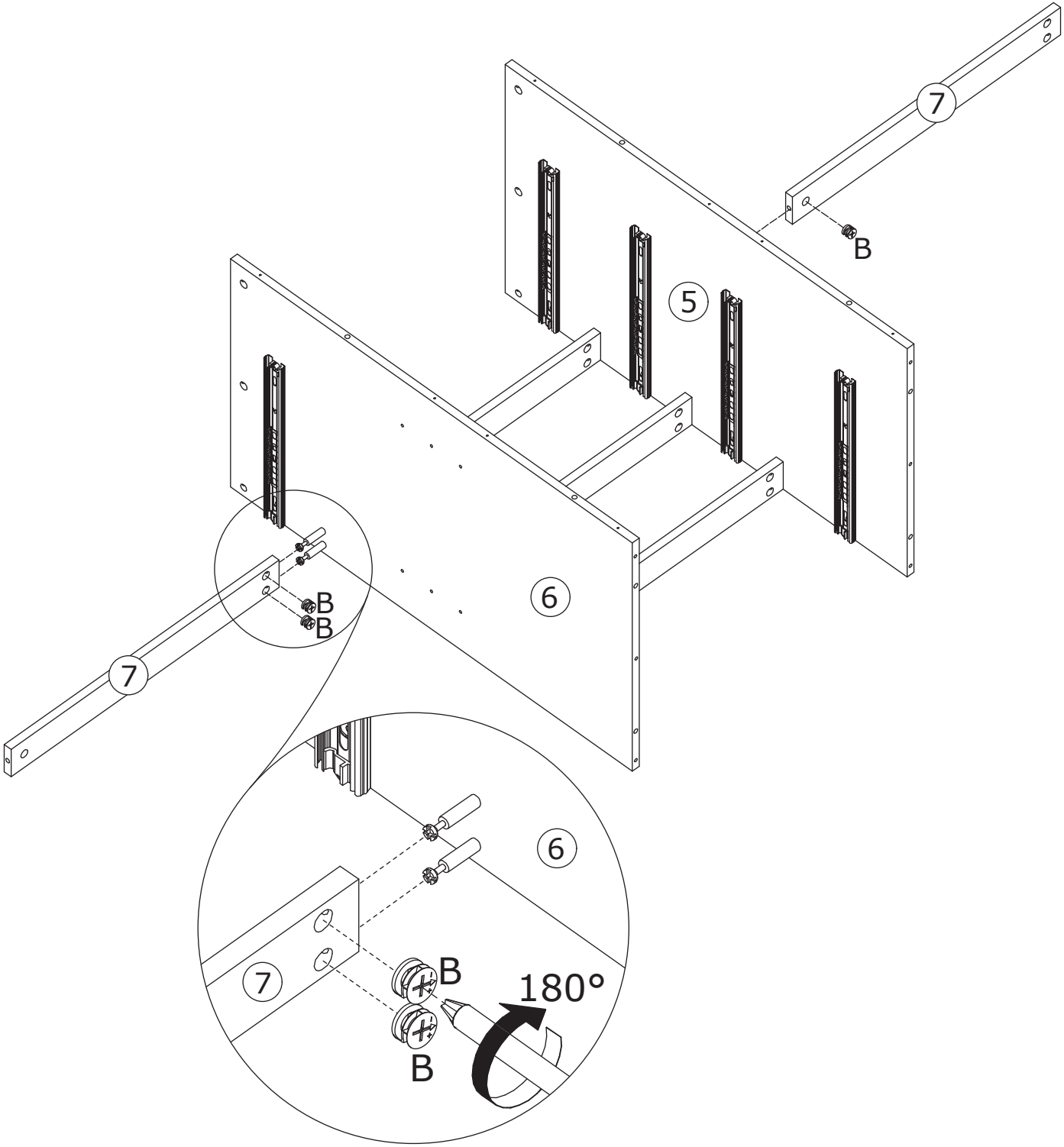
Connect board 5, 6 and 7, then turn the CAM locks B clockwise and tighten them.



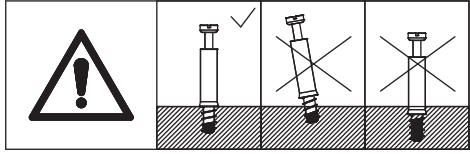
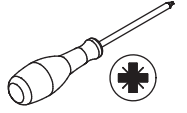
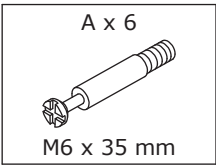
16



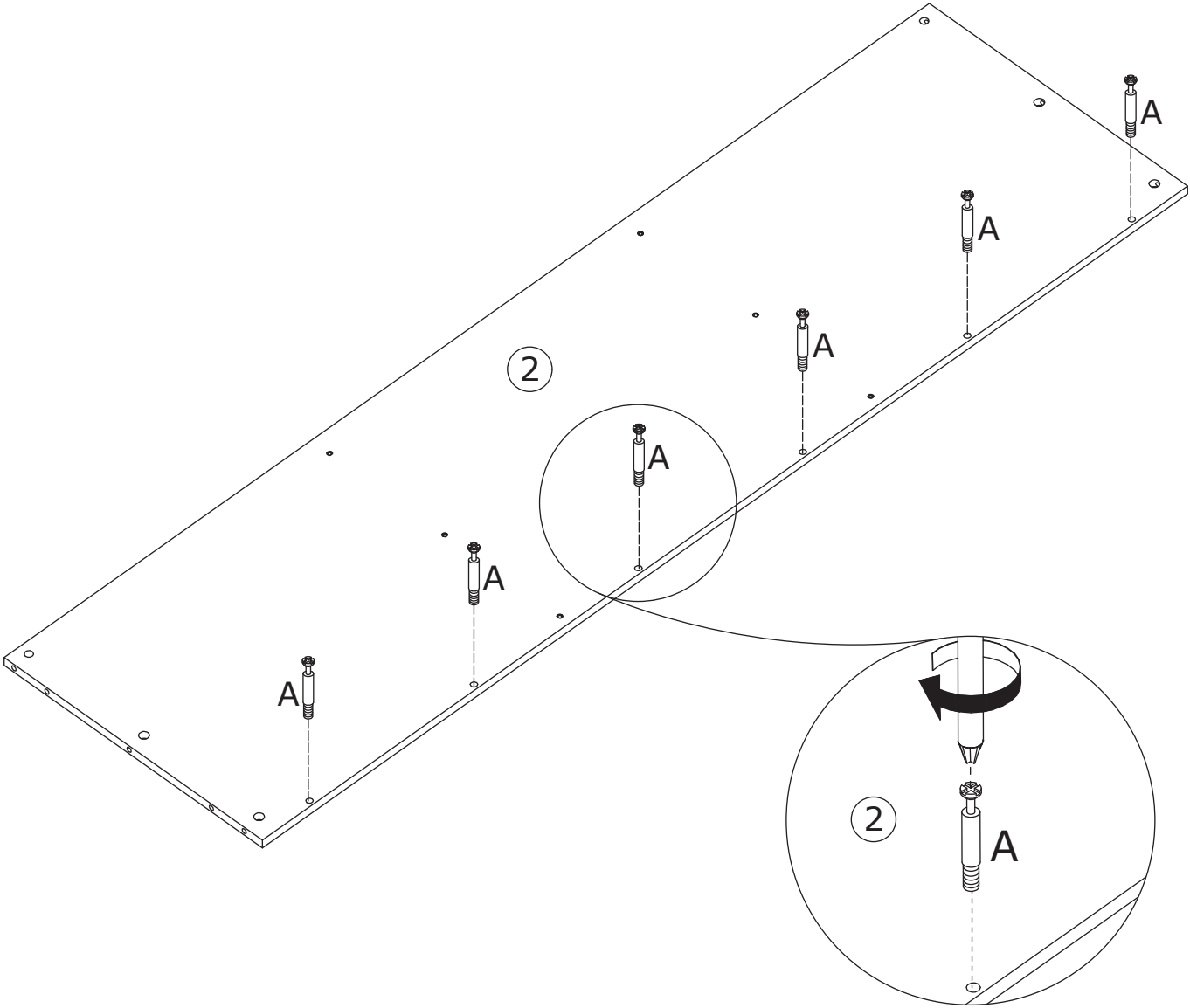
Connect boards 5, 6 and 7, then turn the CAM locks B clockwise and tighten them.



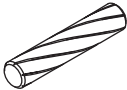
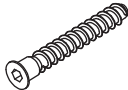
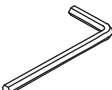
17

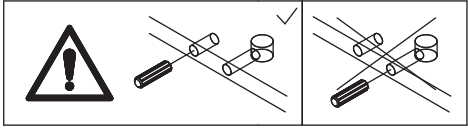


Install threaded rod A to board 2.

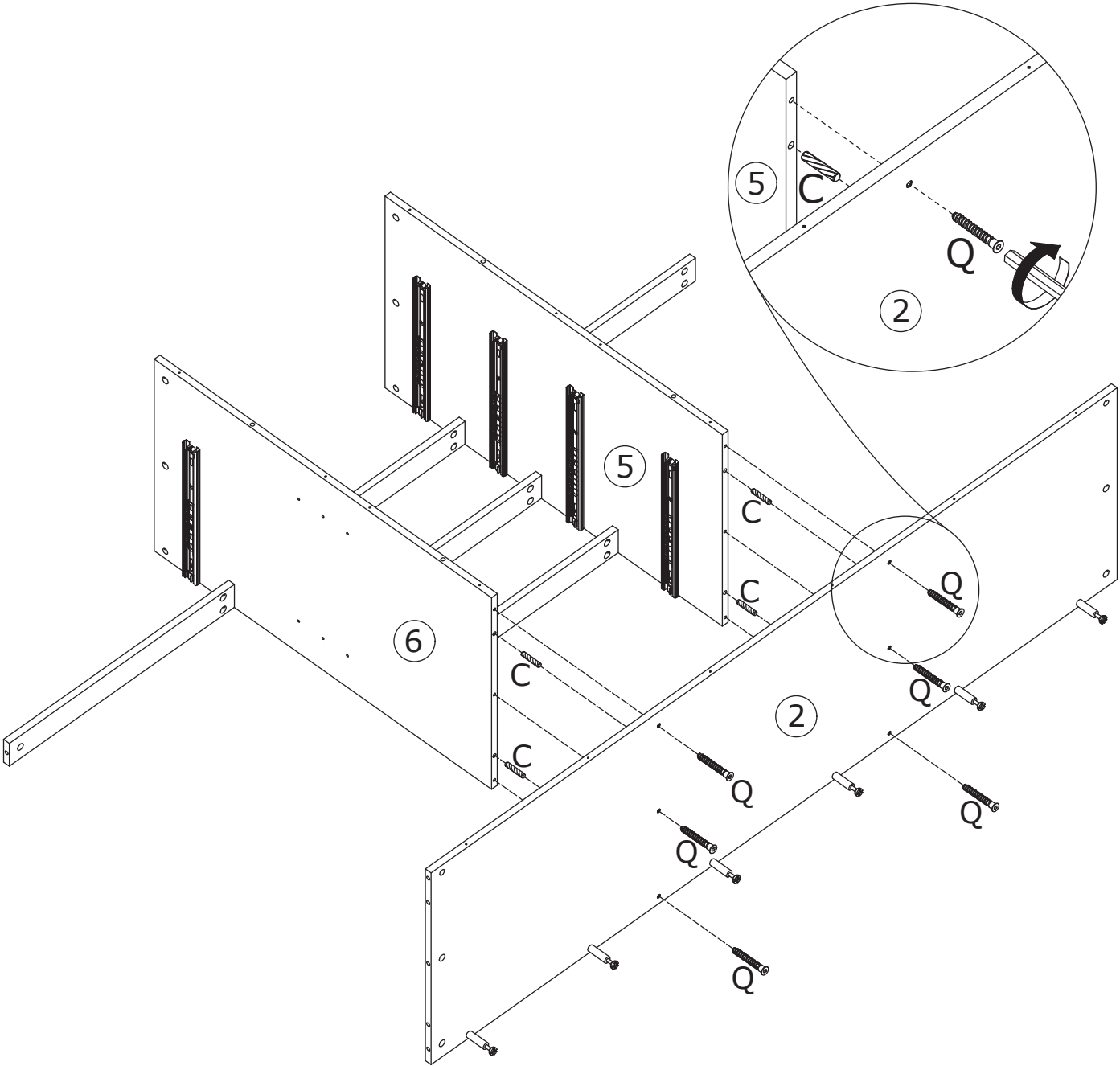


18

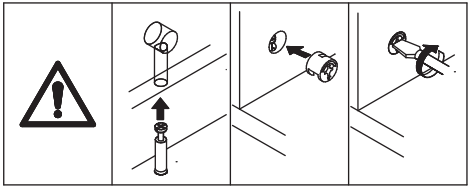
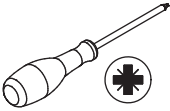
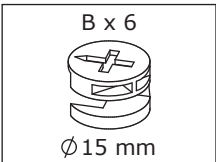
|  |  |  |  |
|--|--|--|--|
| <p>C x 4</p>  <p>Ø8 x 30 mm</p> | <p>Q x 6</p>  <p>M7 x 38 mm</p> | <p>M x 1</p>  <p>M4</p> |  |
|--|--|--|--|



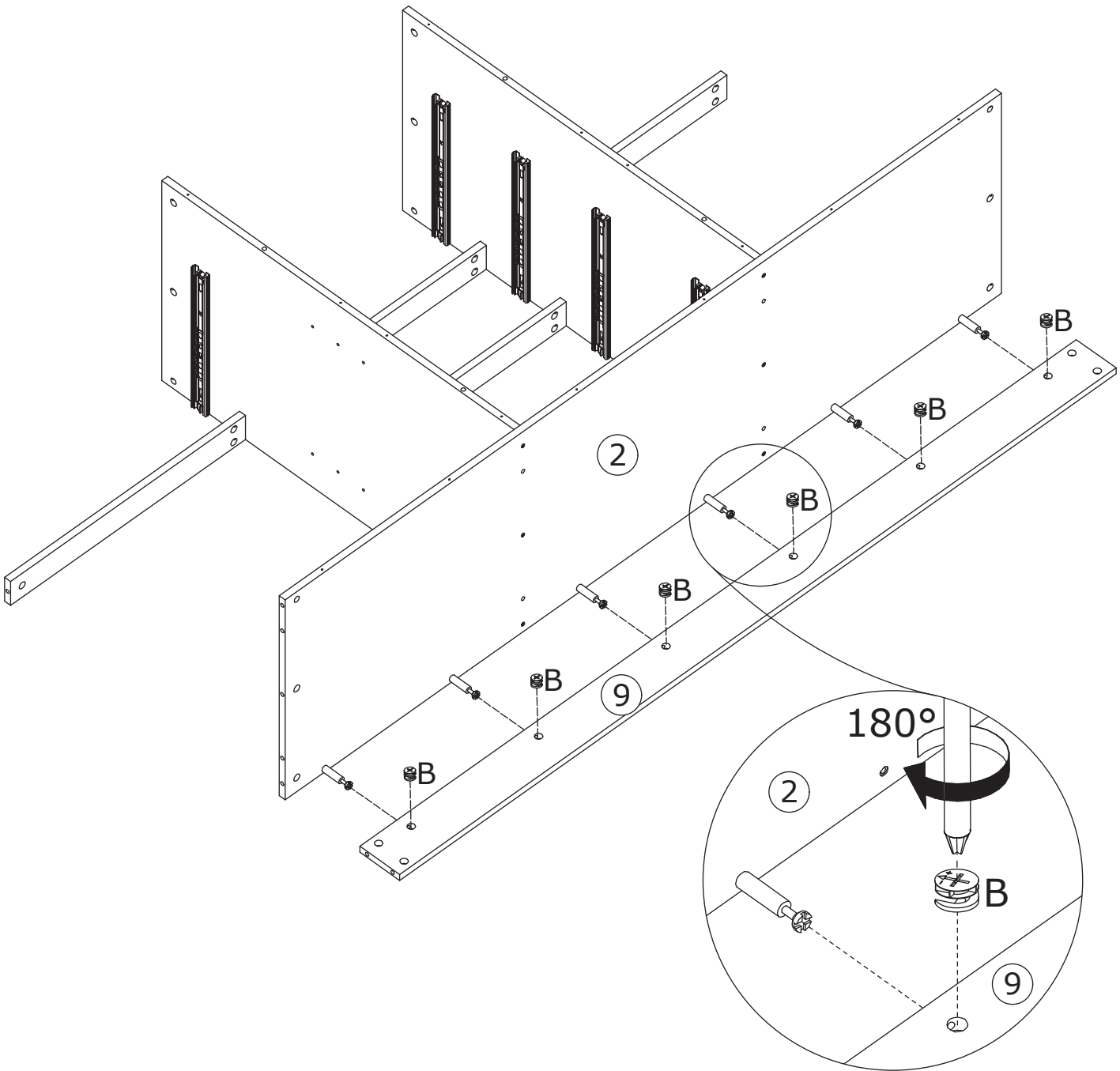
Connect boards 2, 5 and 6 using dowel C, then secure with screw Q.



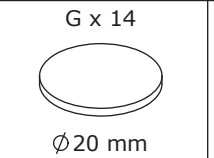
19



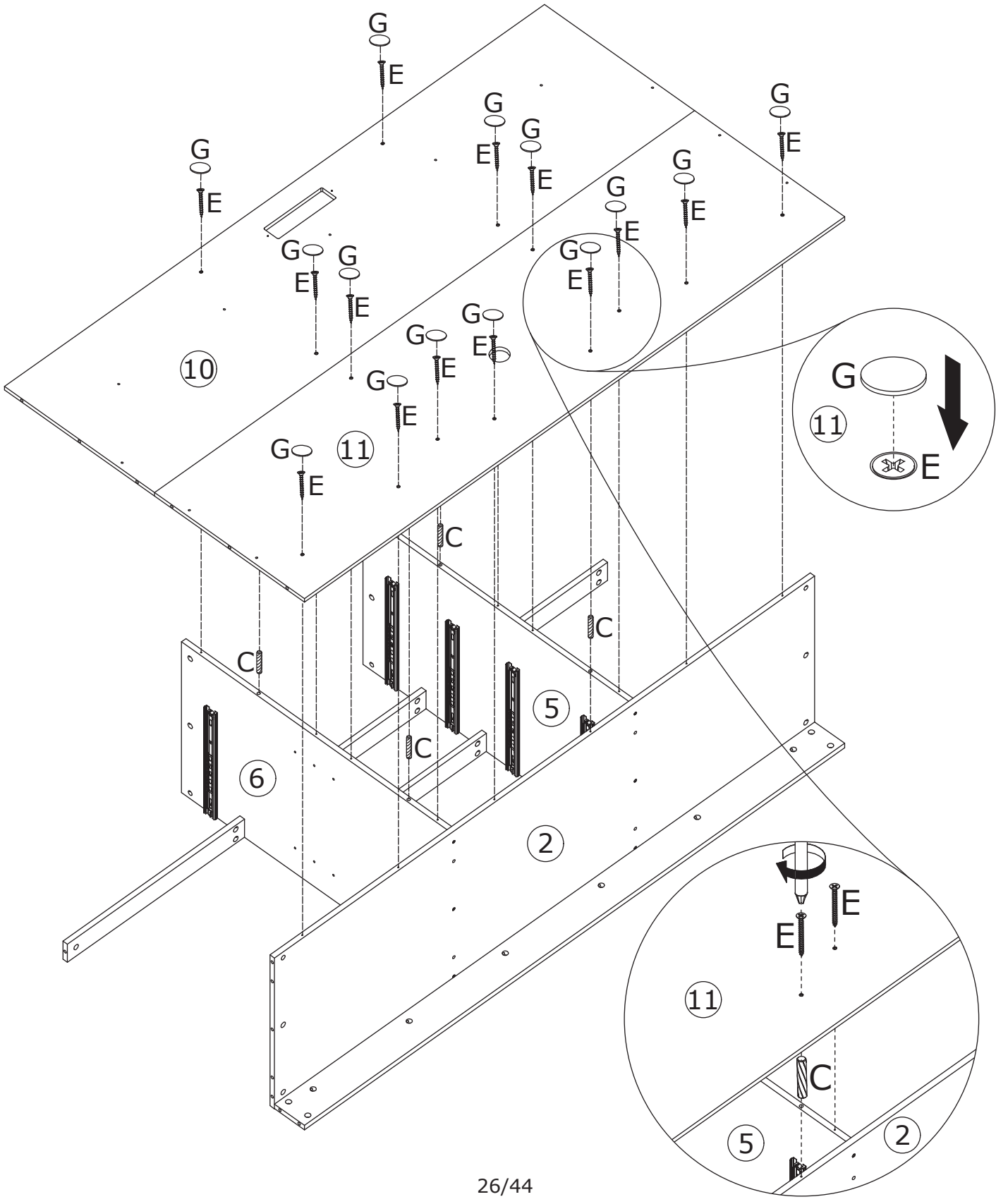
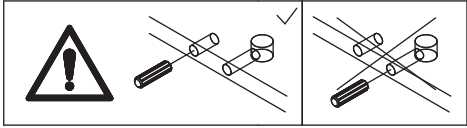
Connect board 2 and 9, then turn the CAM locks B clockwise and tighten them.



20

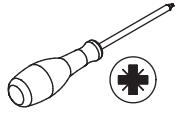
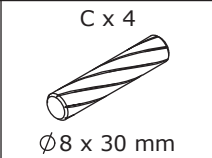
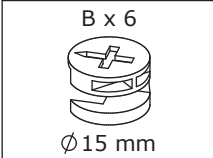


Connect board 10 and 11 to board 2, 5 and 6 using dowel C, secure with screw E. Hide screw holes with hole cover G.

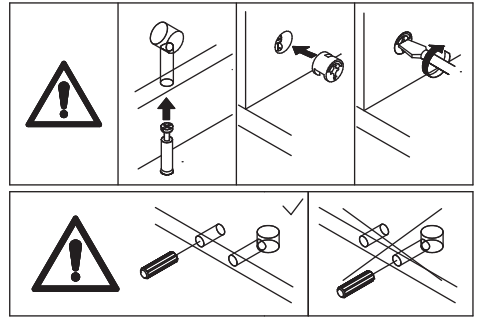




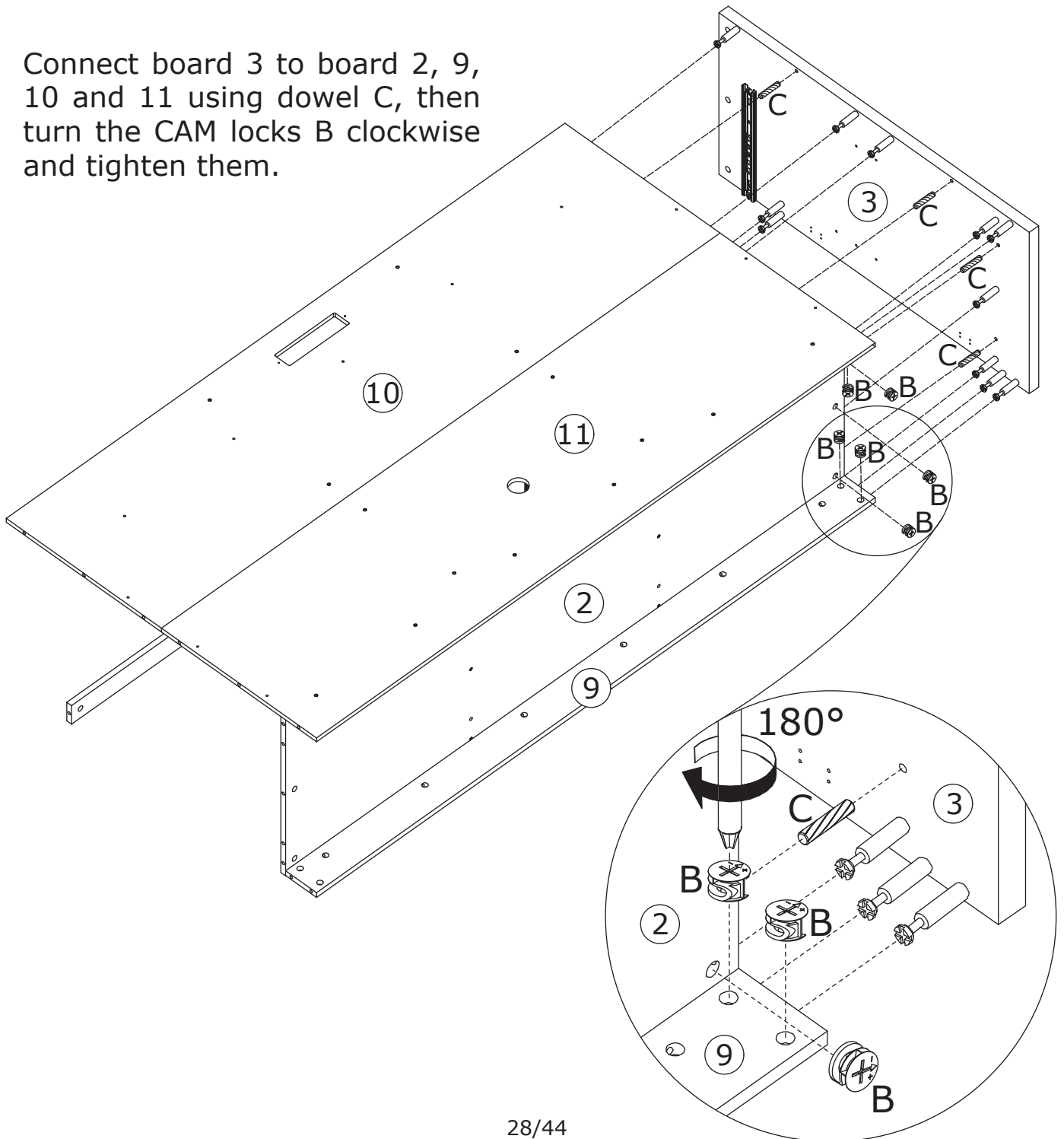
22



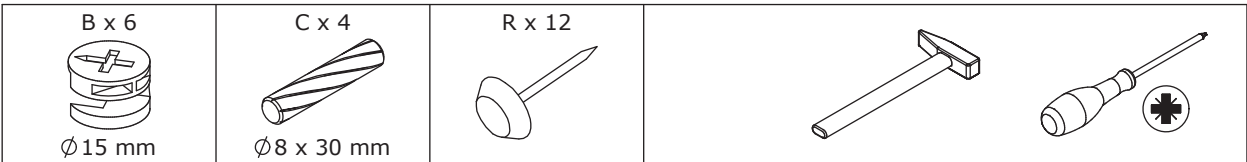
**Note:**  
The cam locks of parts 7, 10 and 11 cannot be locked, and they will be tightened after the product is flipped over step 24.



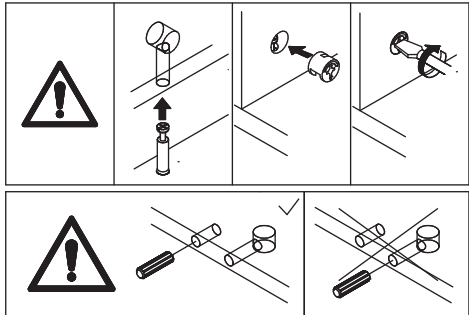
Connect board 3 to board 2, 9, 10 and 11 using dowel C, then turn the CAM locks B clockwise and tighten them.



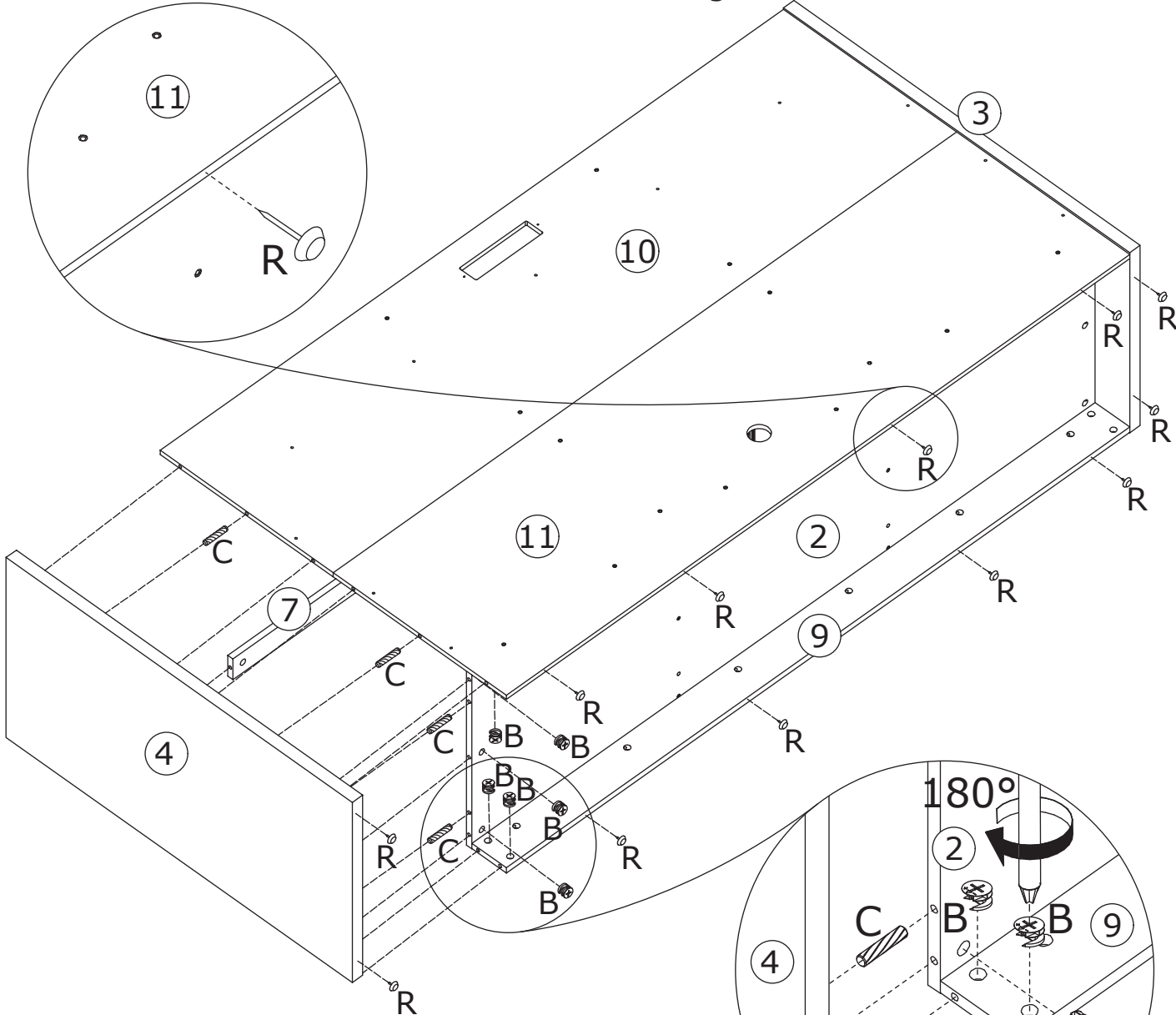
23



**Note:**  
The cam locks of parts 7, 10 and 11 cannot be locked, and they will be tightened after the product is flipped over step 24.

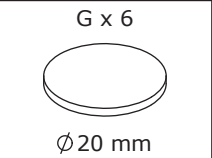
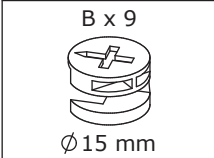


Connect board 4 to board 2, 9, 7, 10 and 11 using dowel C, then turn the CAM locks B clockwise and tighten them.

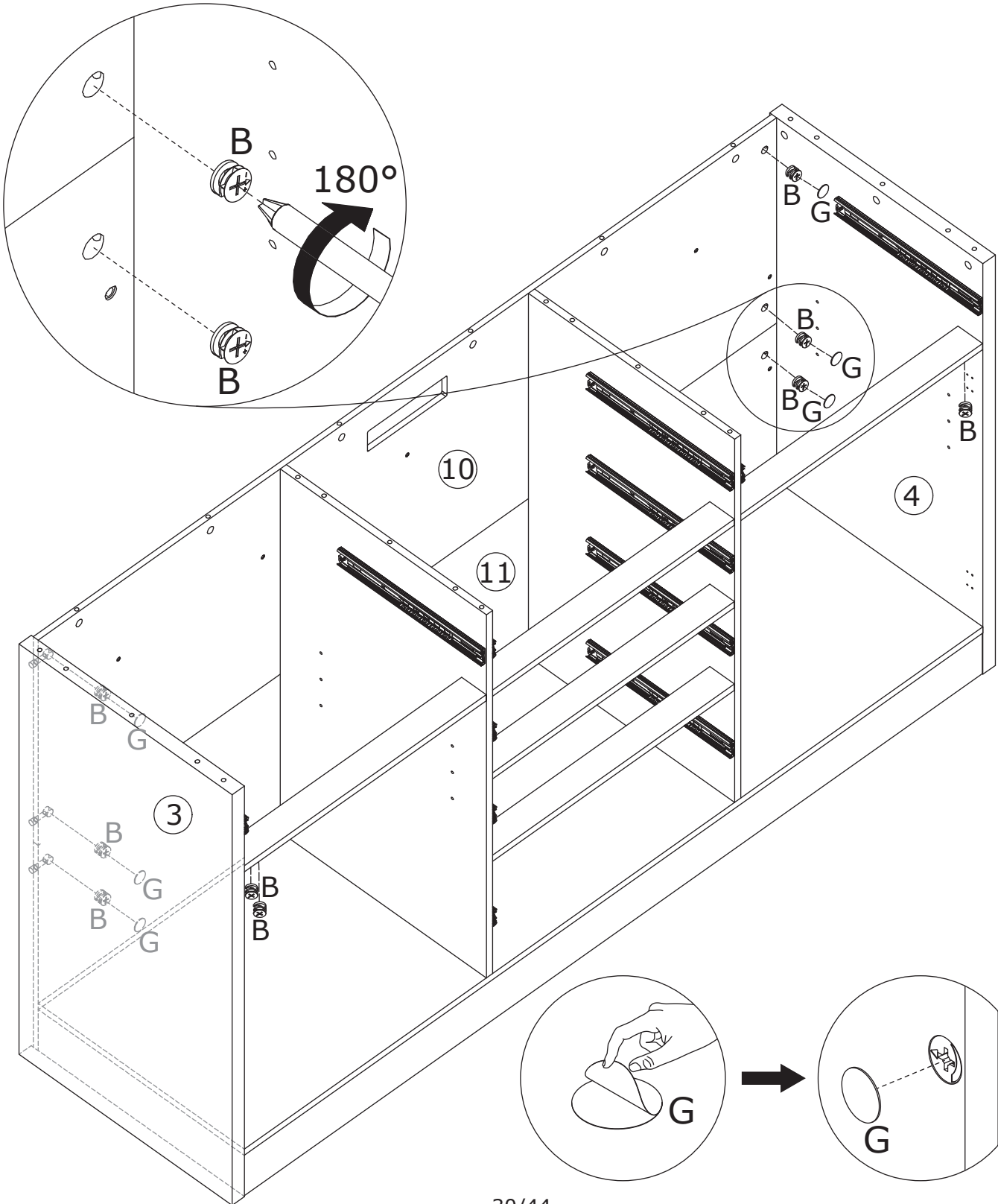
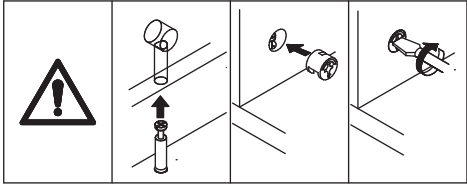


Tap foot nail R into the designated positions on boards 3, 4, 9 and 11.

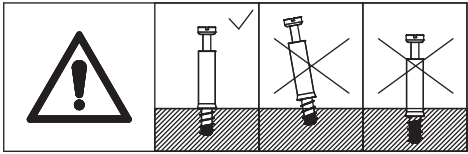
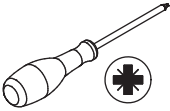
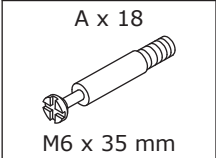
24



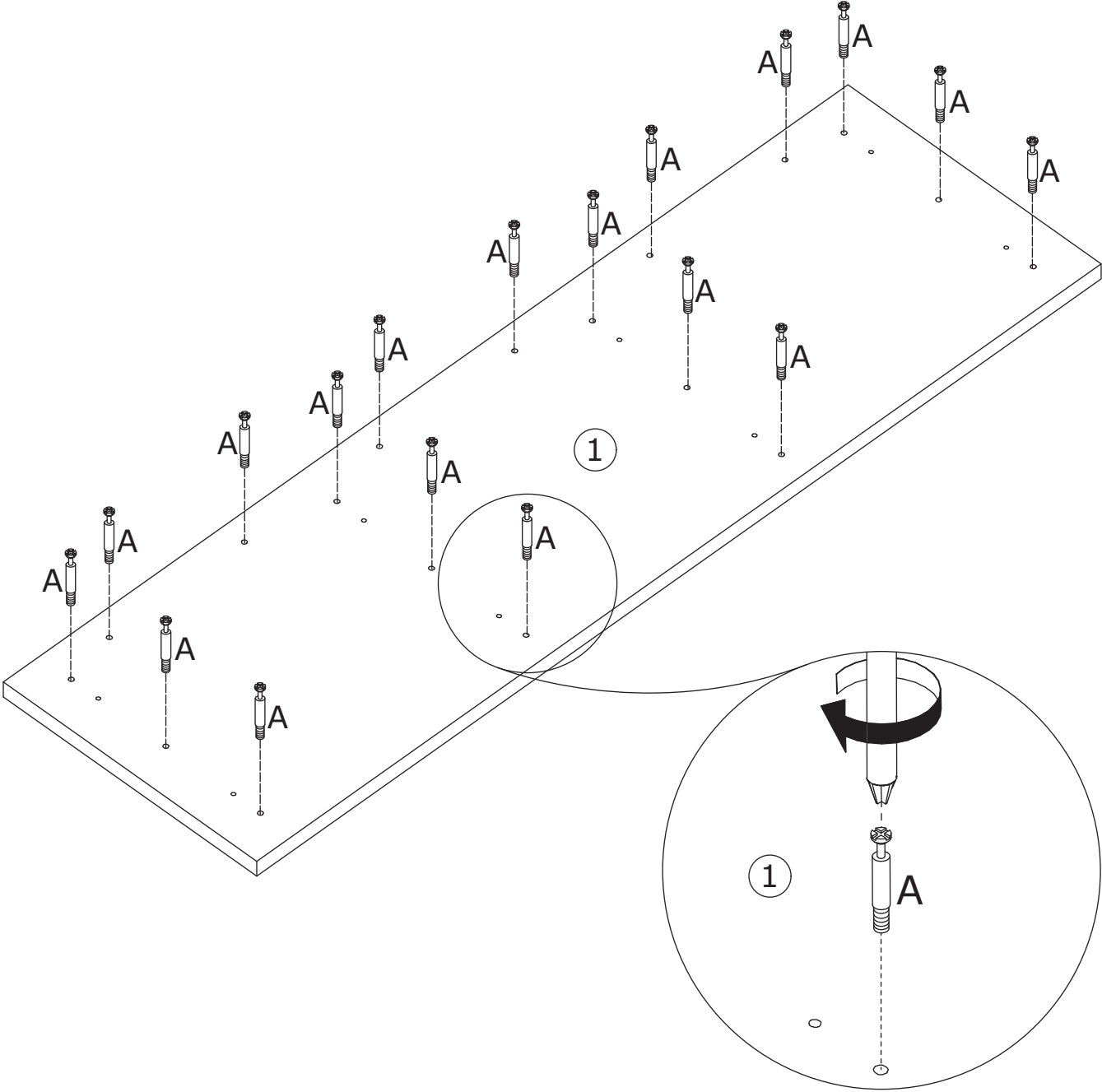
Carefully flip the assembled cabinet unit, then turn the CAM locks B clockwise and tighten them.  
Hide screw holes with hole cover G.



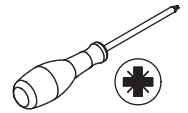
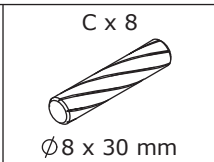
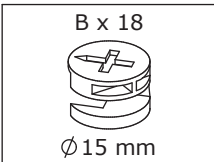
25



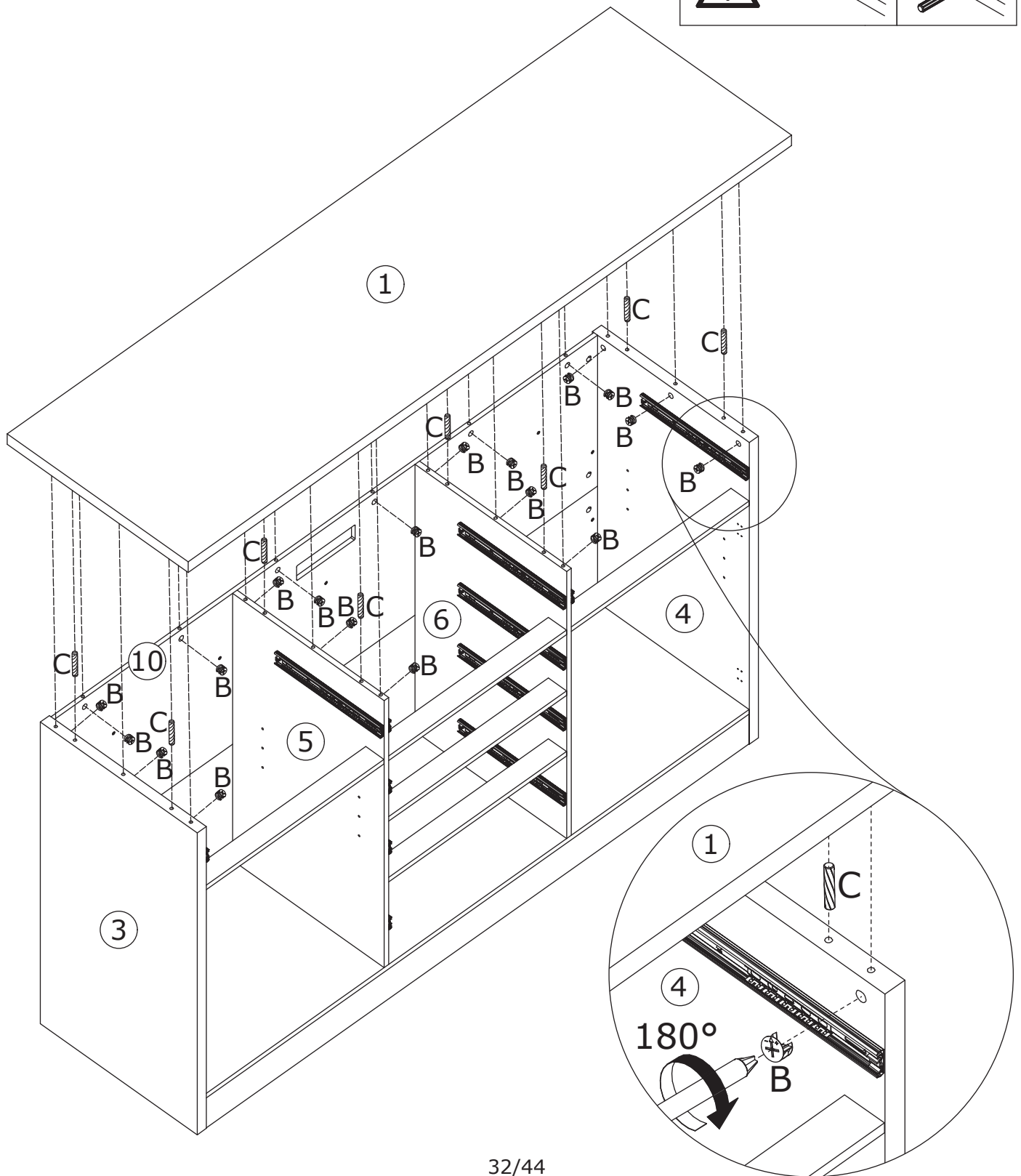
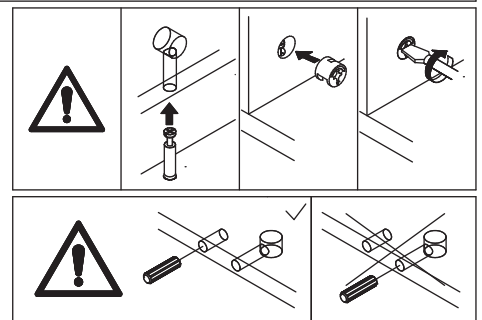
Install threaded rod A to board 1.



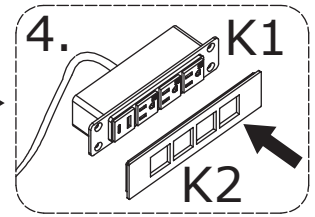
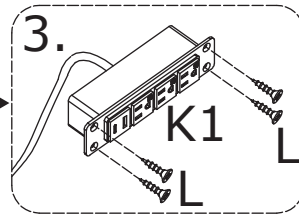
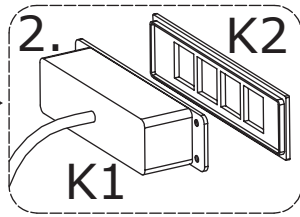
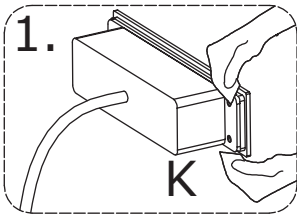
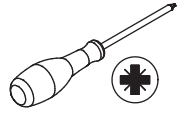
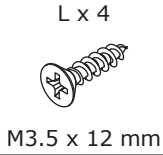
26



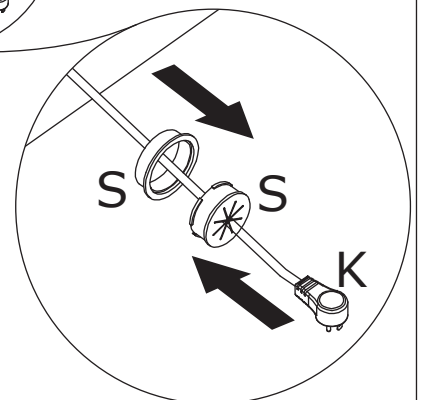
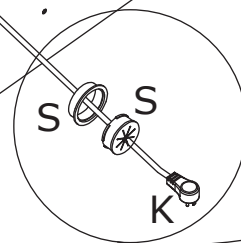
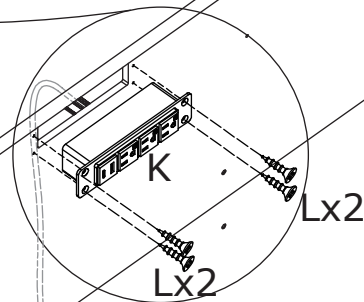
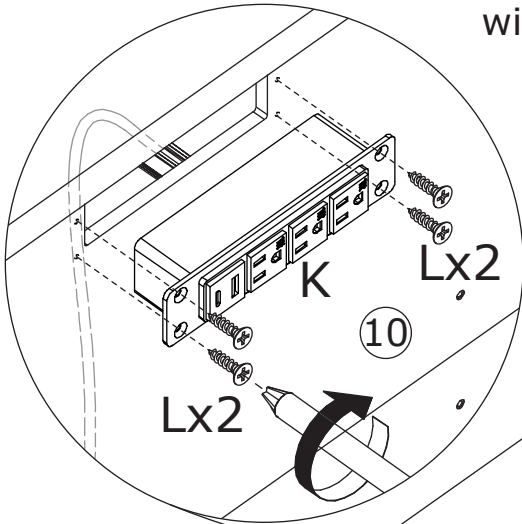
Connect board 1 to board 3, 4, 5, 6 and 10 using dowel C, then turn the CAM locks B clockwise and tighten them.



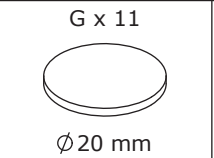
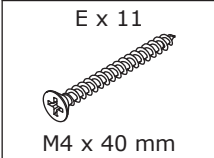
27



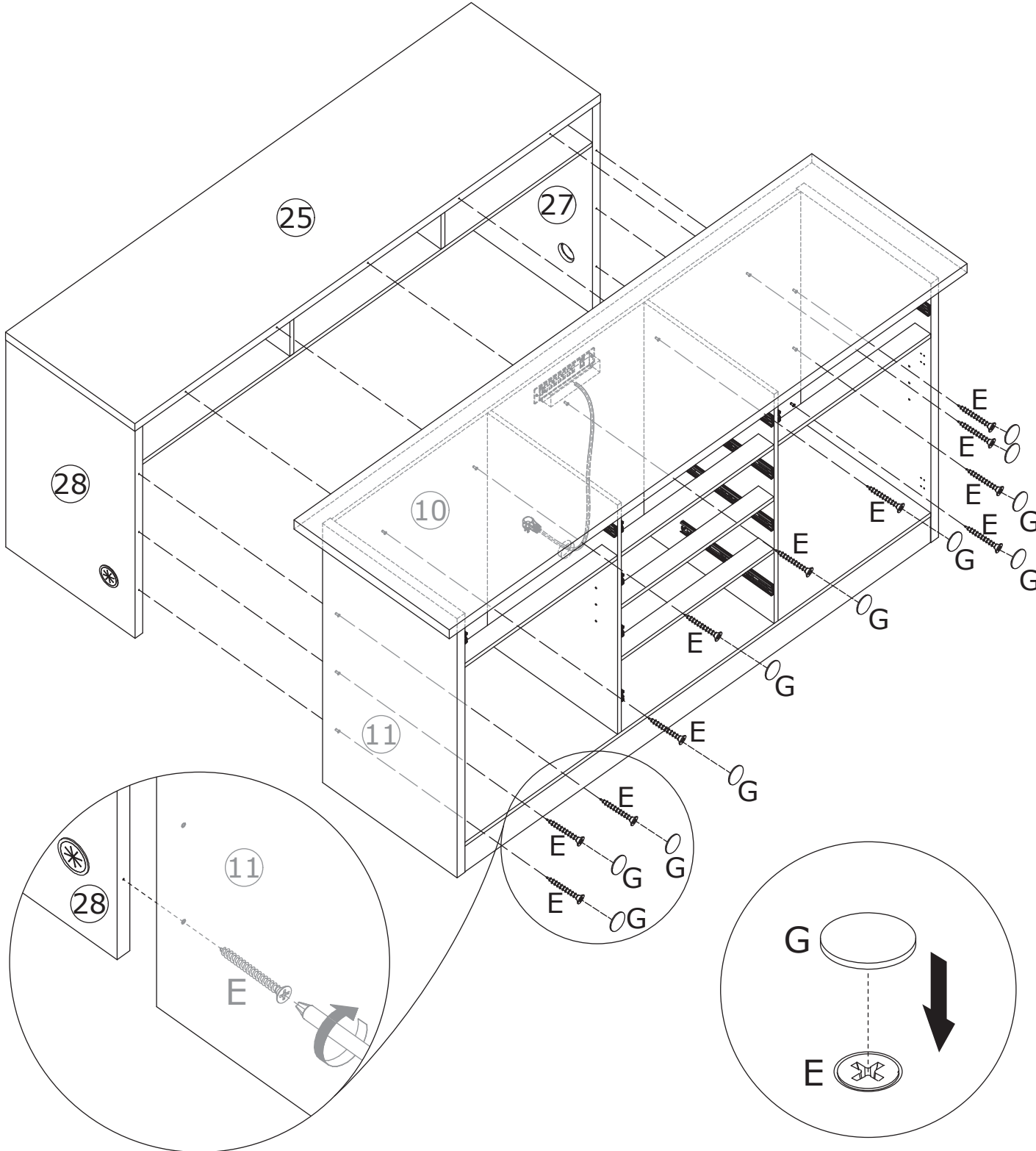
Secure socket K to board 10 using screw L. Pass the plug through wire box S, then place wire cover S into the hole on board 11.



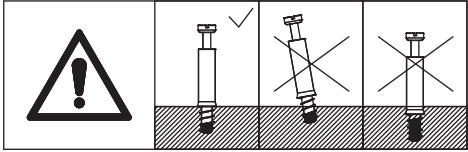
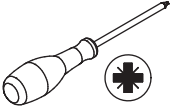
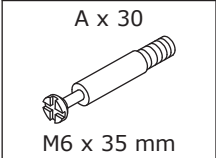
28



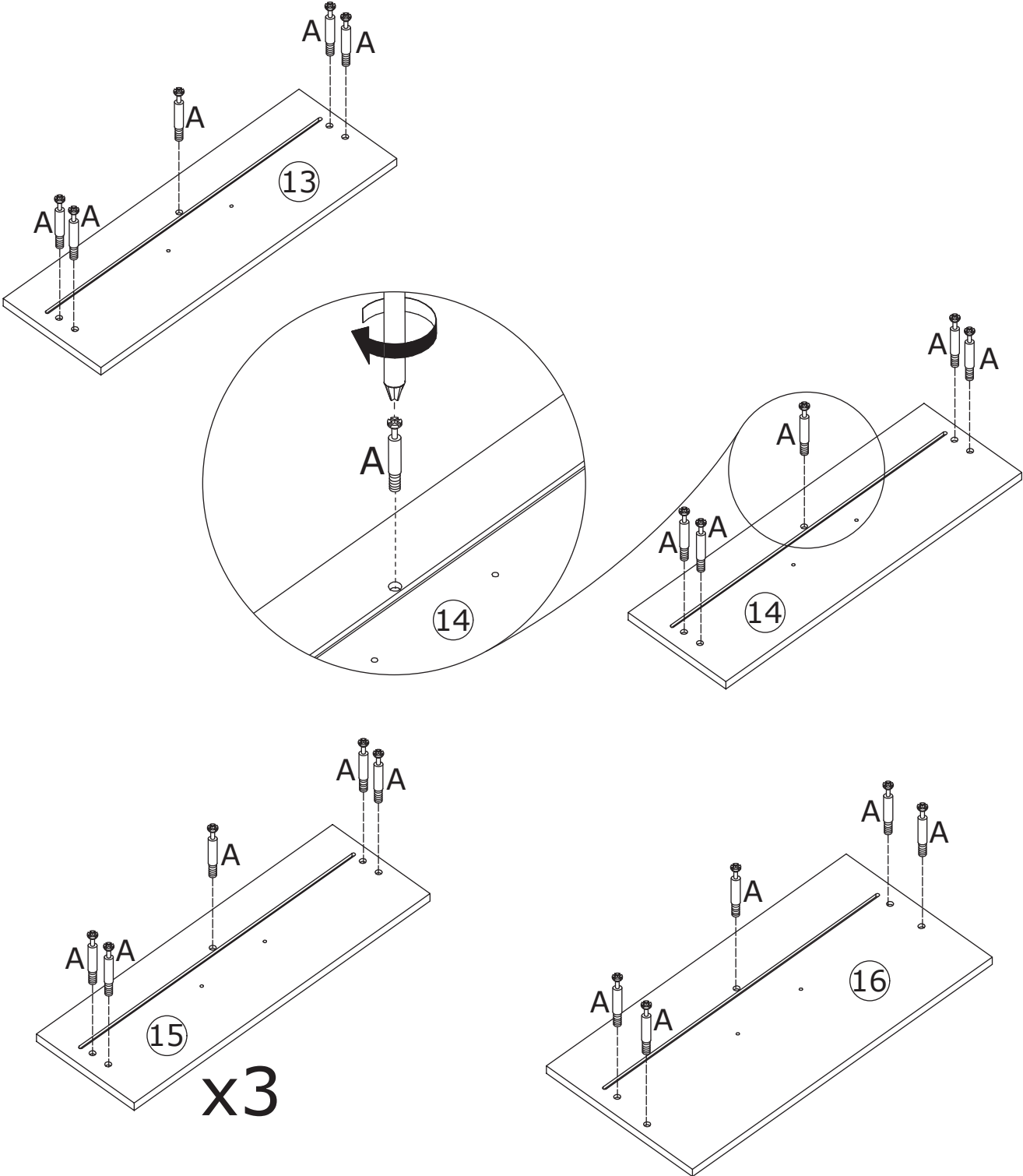
Secure the assembled desk to boards 10 and 11 using screw E.  
Cover screw holes with hole cover G if desired.



29

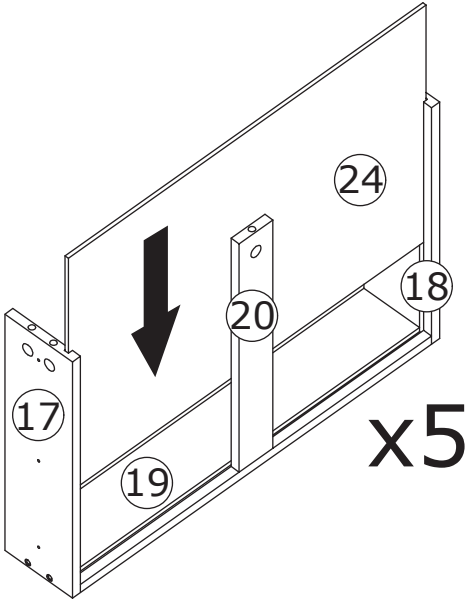
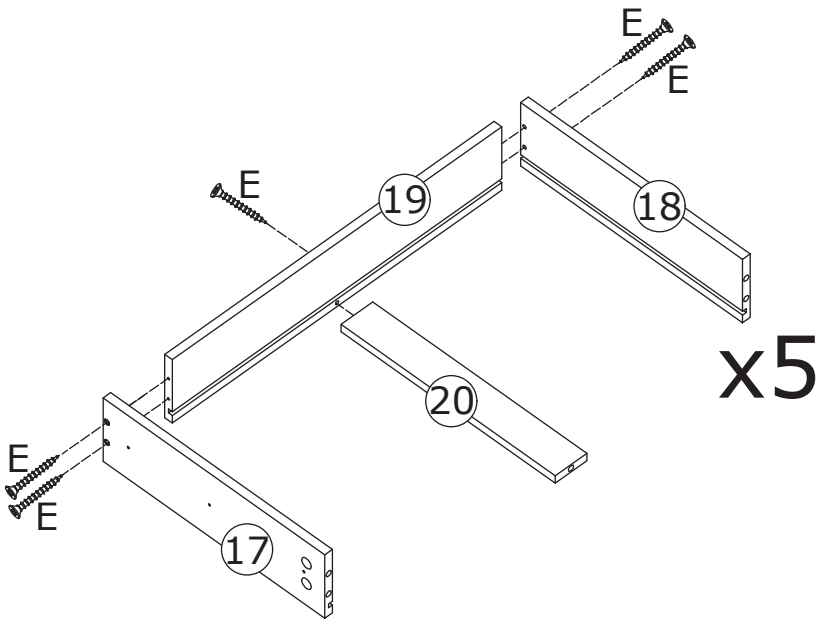
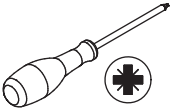


Install threaded rod A to board 13, 14, 15 and 16.

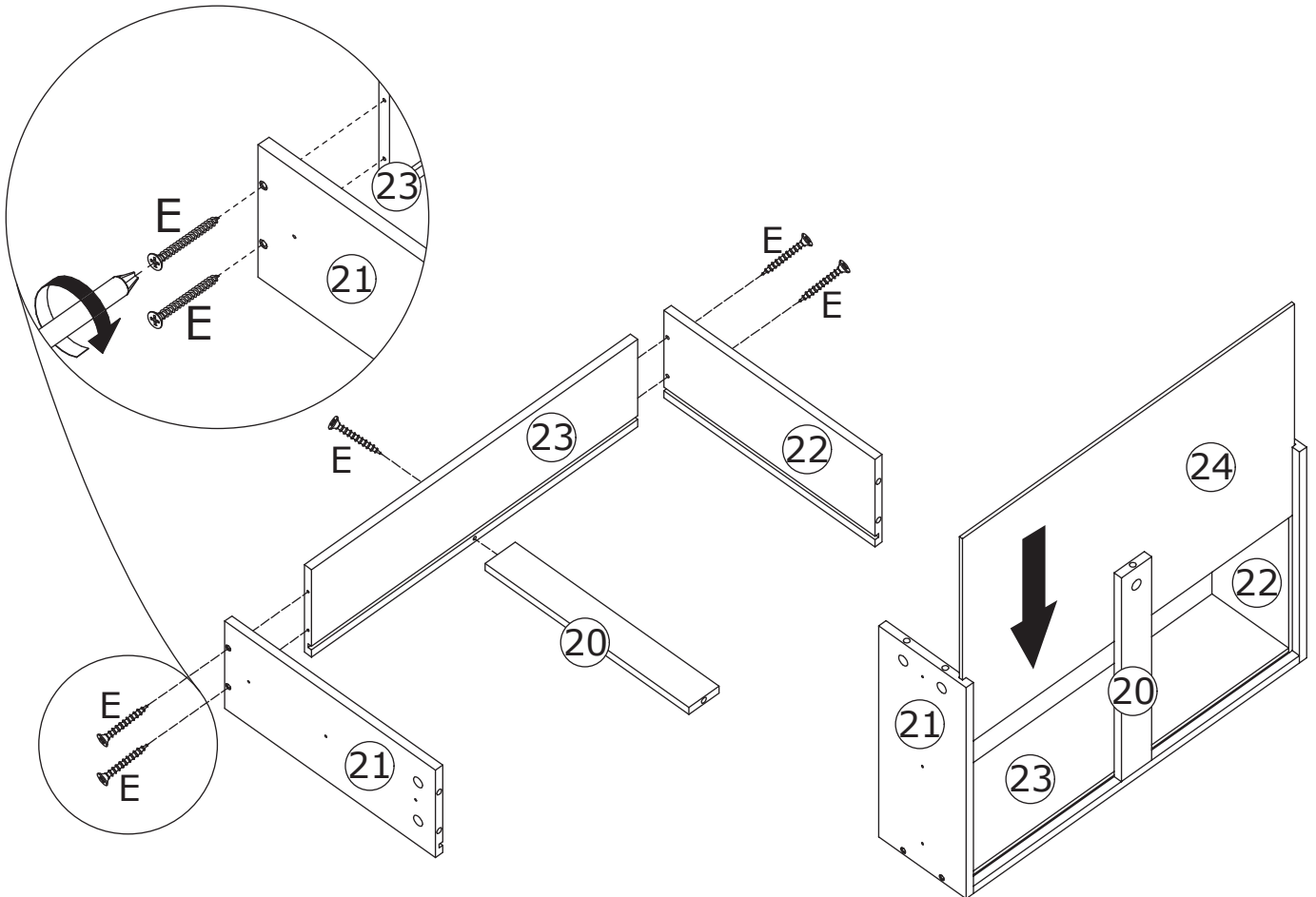


30

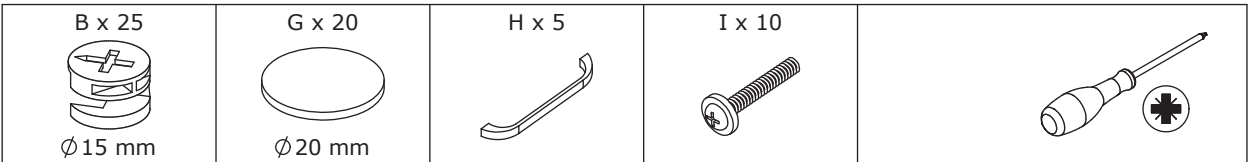
E x 30  
M4 x 40 mm



Secure board 17, 18 and 20 to board 19 using screw E.  
Secure board 20, 21 and 22 to board 23 using screw E.  
Then insert board 24 into the slots.



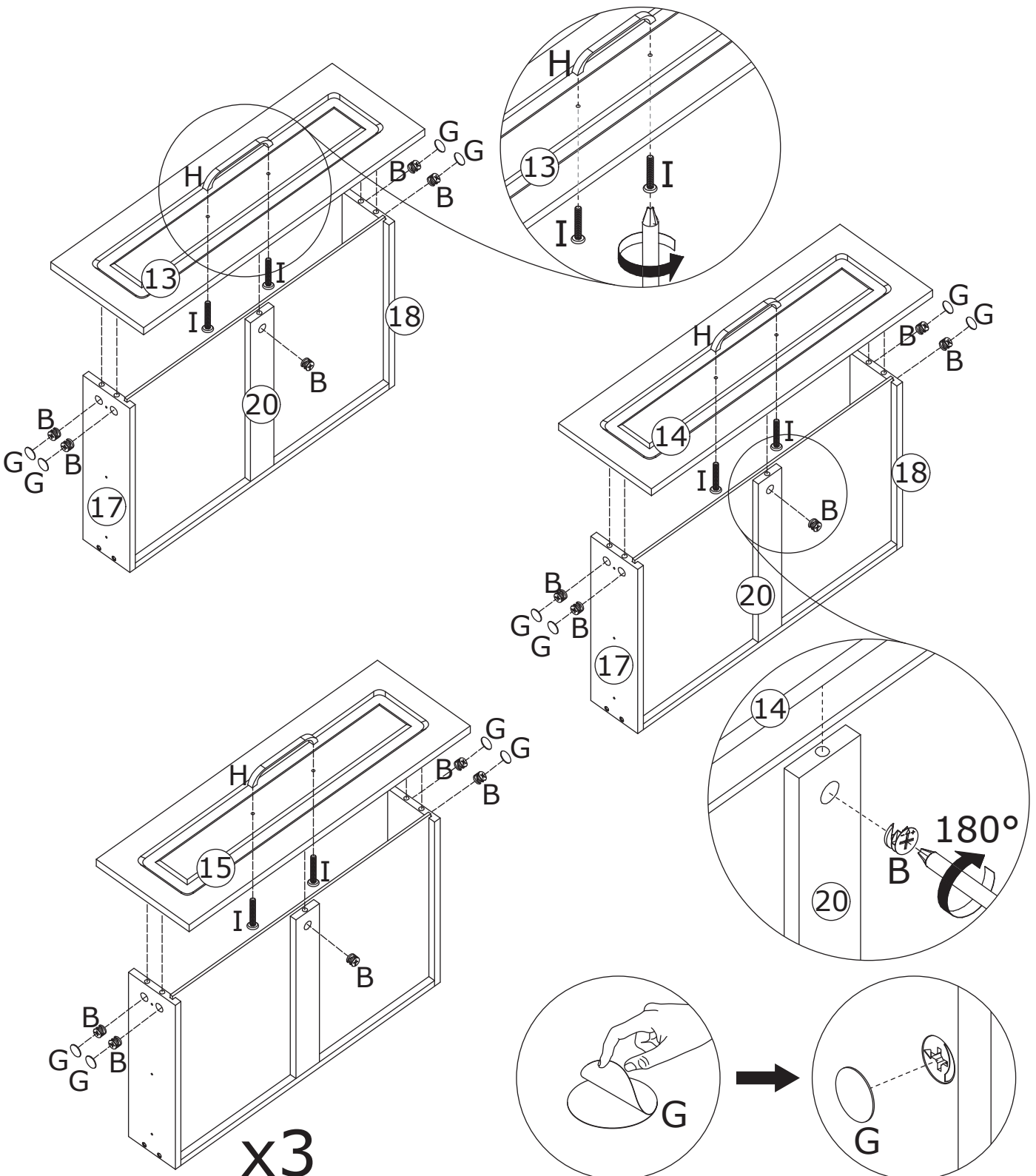
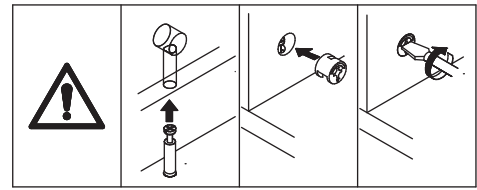
# 31



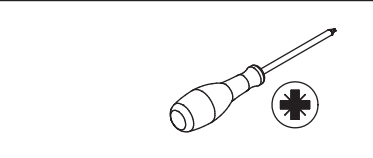
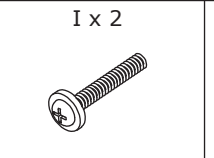
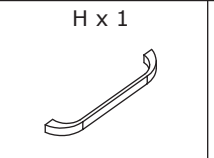
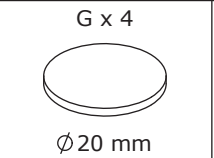
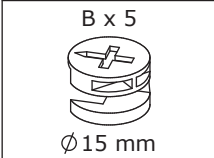
Connect board 17, 18 and 20 to board 13, 14 and 15, then turn the CAM locks B clockwise and tighten them.

Then secure handle H using screw I.

Hide screw holes with hole cover G if desired.



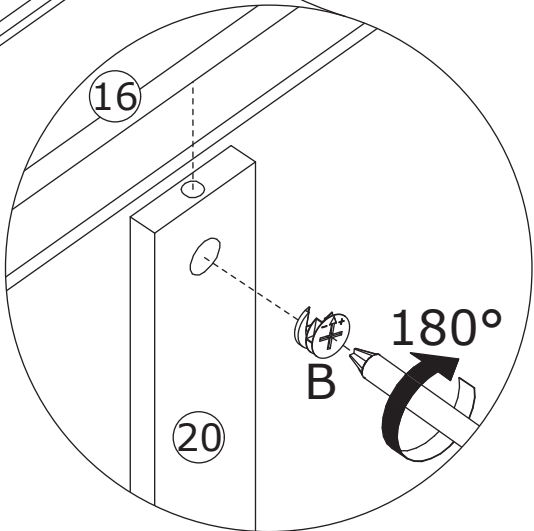
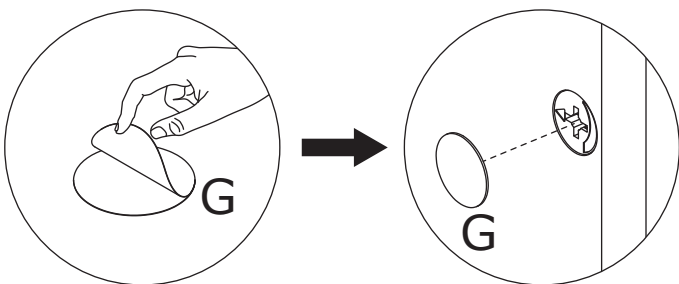
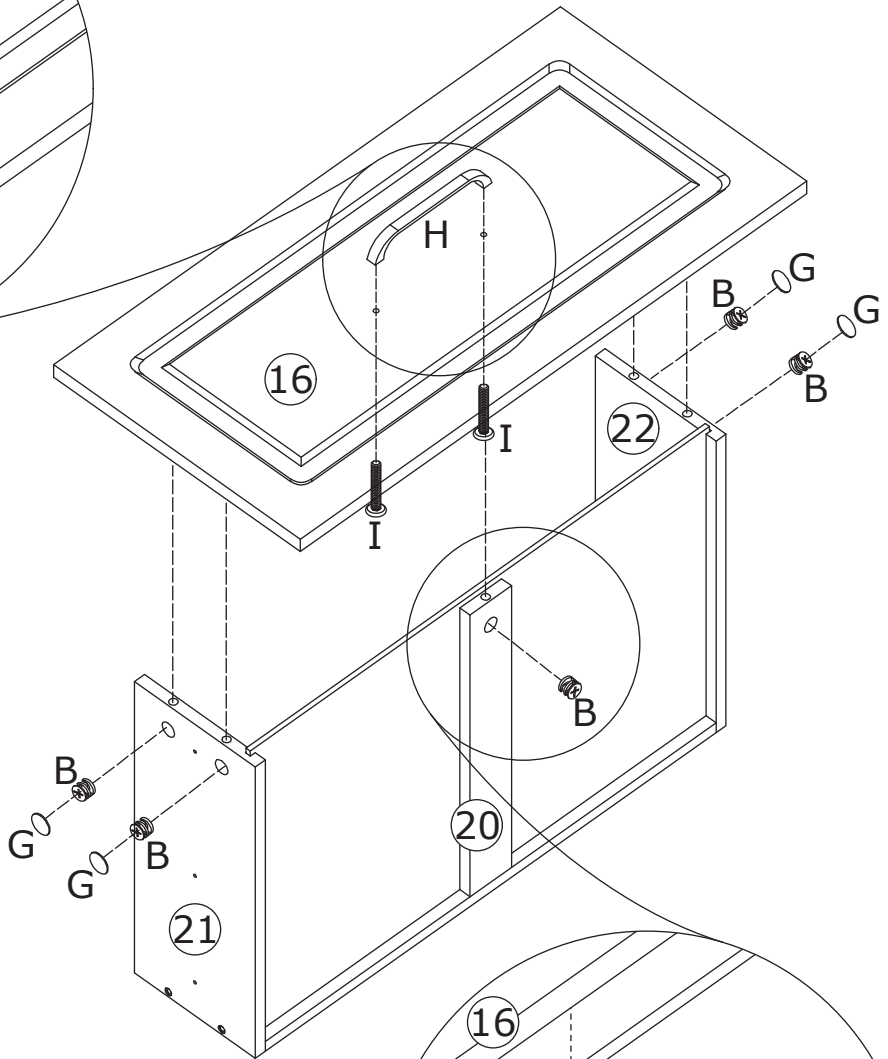
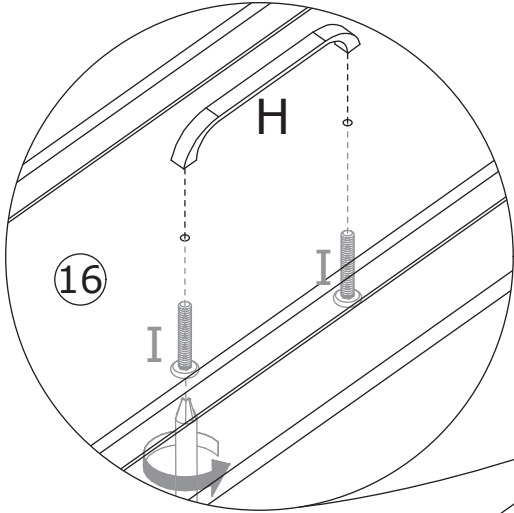
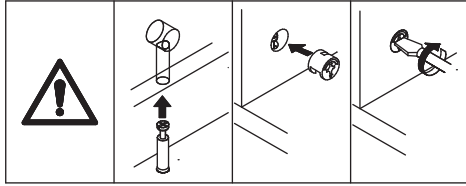
32



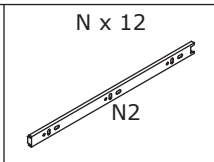
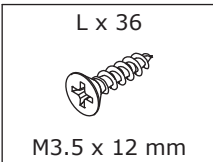
Connect board 20, 21 and 22 to board 16, then turn the CAM locks B clockwise and tighten them.

Secure handle H using screw I.

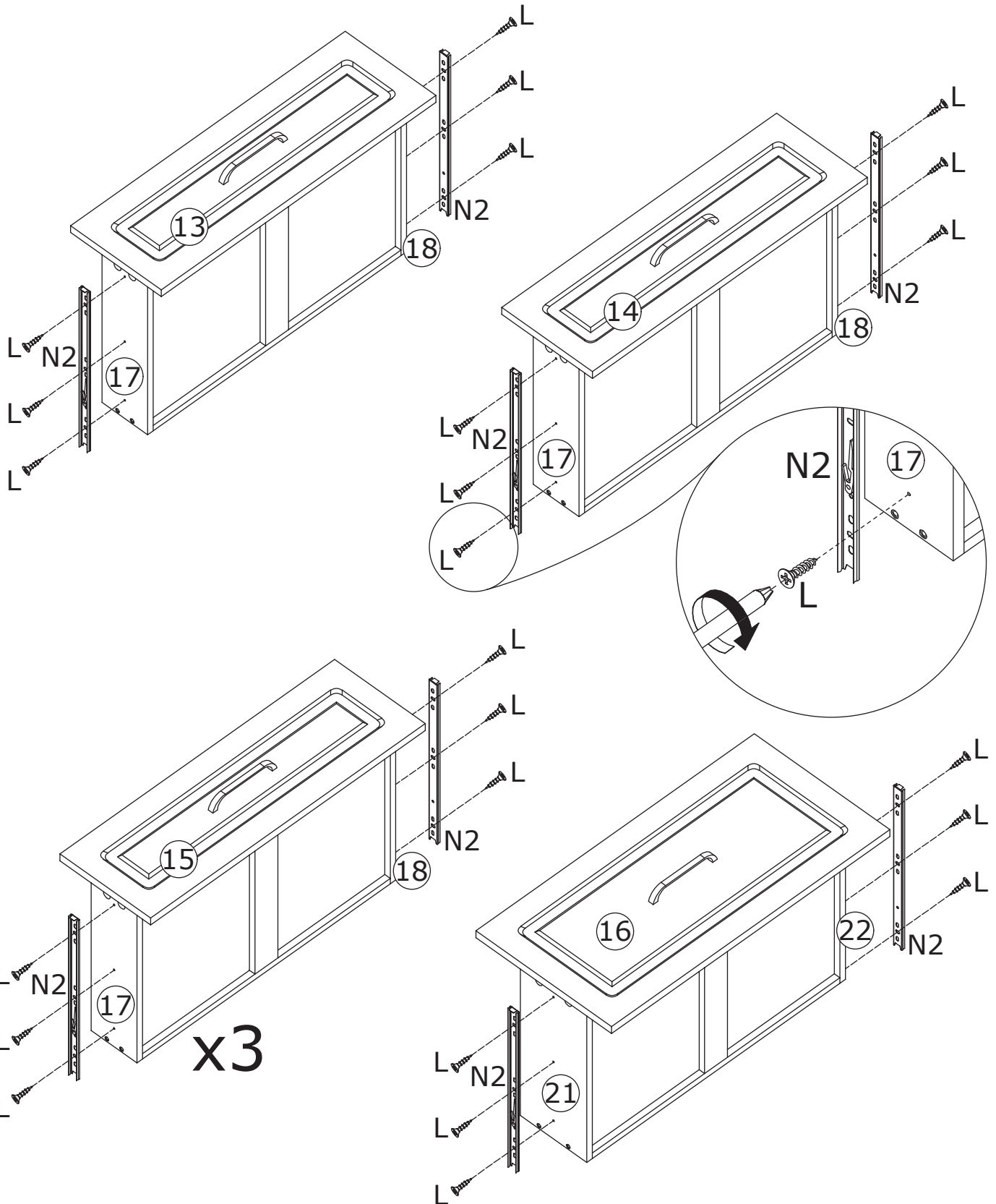
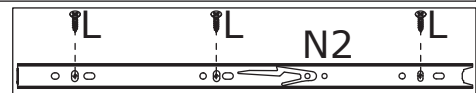
Hide screw holes with hole cover G if desired.



# 33

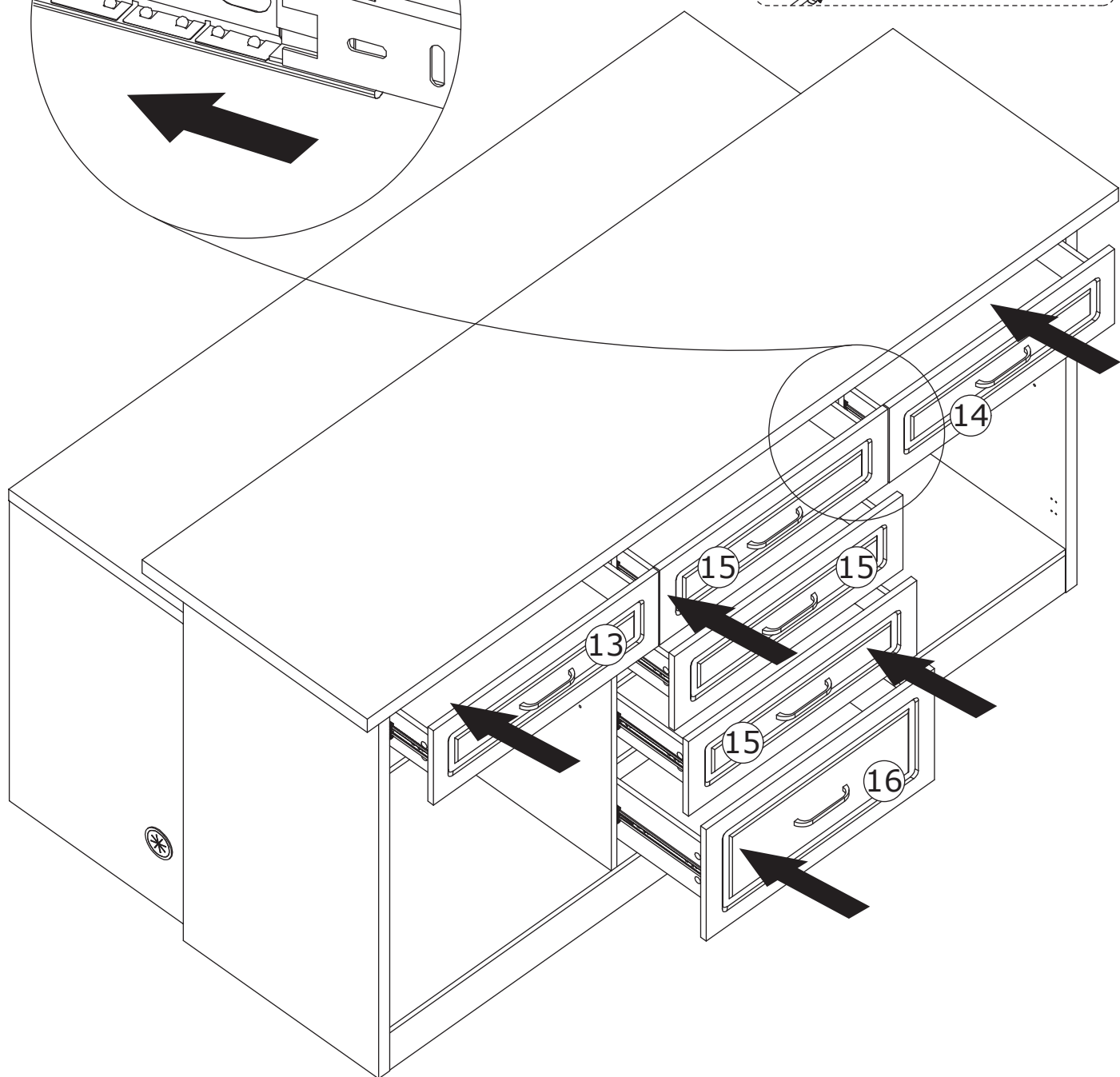
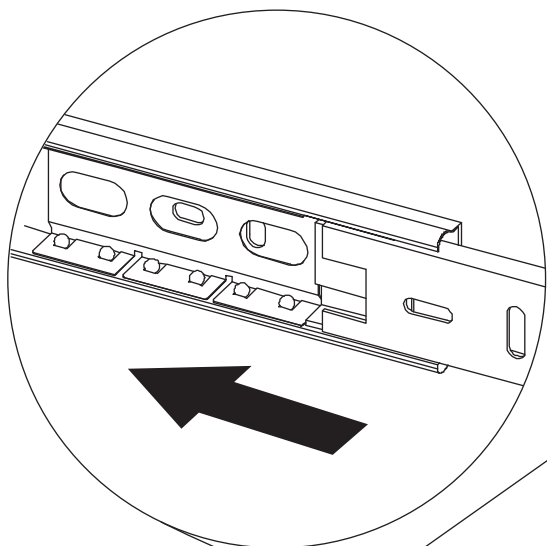
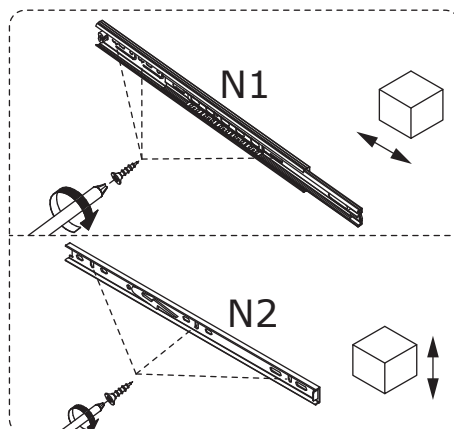


Secure rail N (N2 section) to board 17, 18, 21 and 22 using screw L.



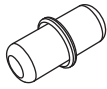
34

Insert the assembled drawers into the cabinet using rail N.  
(note: the screw holes on the rail allow for drawer position adjustment).

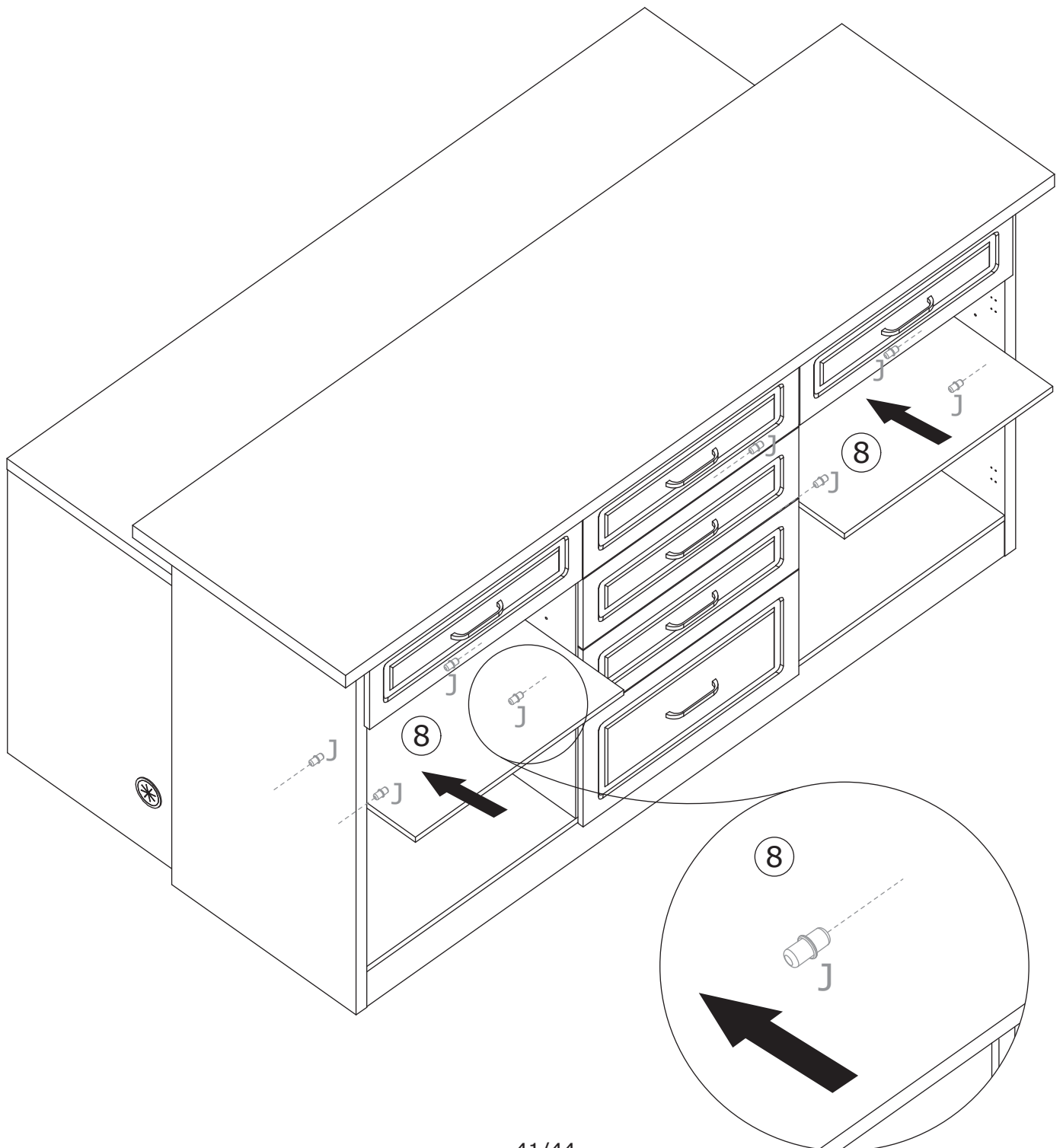


35


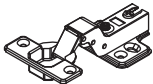
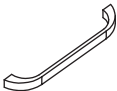

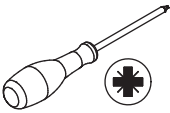
J x 8



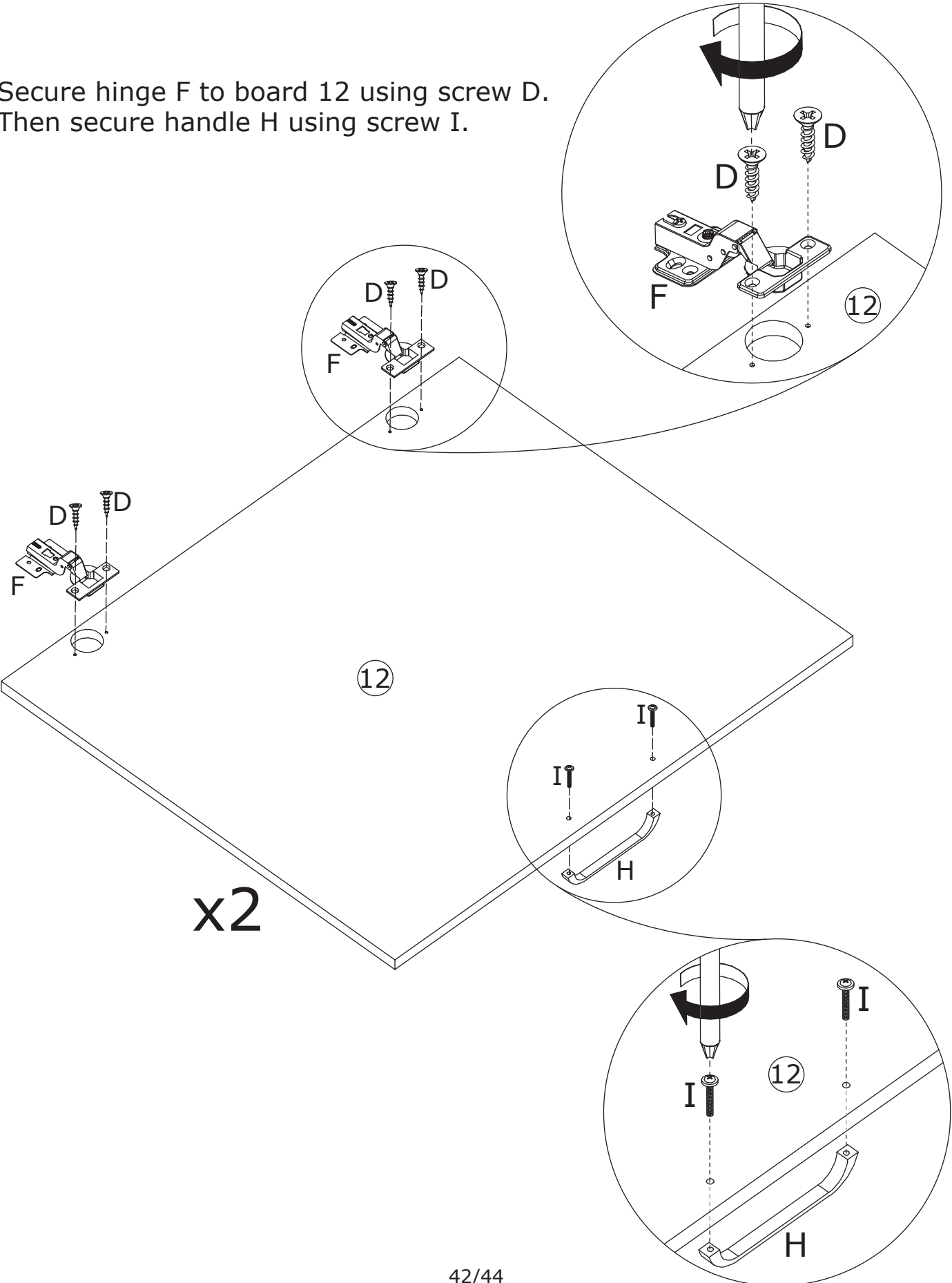
Insert layer pin J into the pre-drilled holes on board 3, 4, 5 and 6. Then place board 8 on layer pins (the position of board 8 can be adjusted by changing the insertion position of J).



36

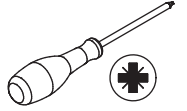
|   |  |  |   |   |
|---|--|--|---|---|
| <p>D x 8<br/>M3.5 x 14 mm</p>  | <p>F x 4</p>  | <p>H x 2</p>  | <p>I x 4</p>  |  |
|---|--|--|---|---|

Secure hinge F to board 12 using screw D.  
Then secure handle H using screw I.

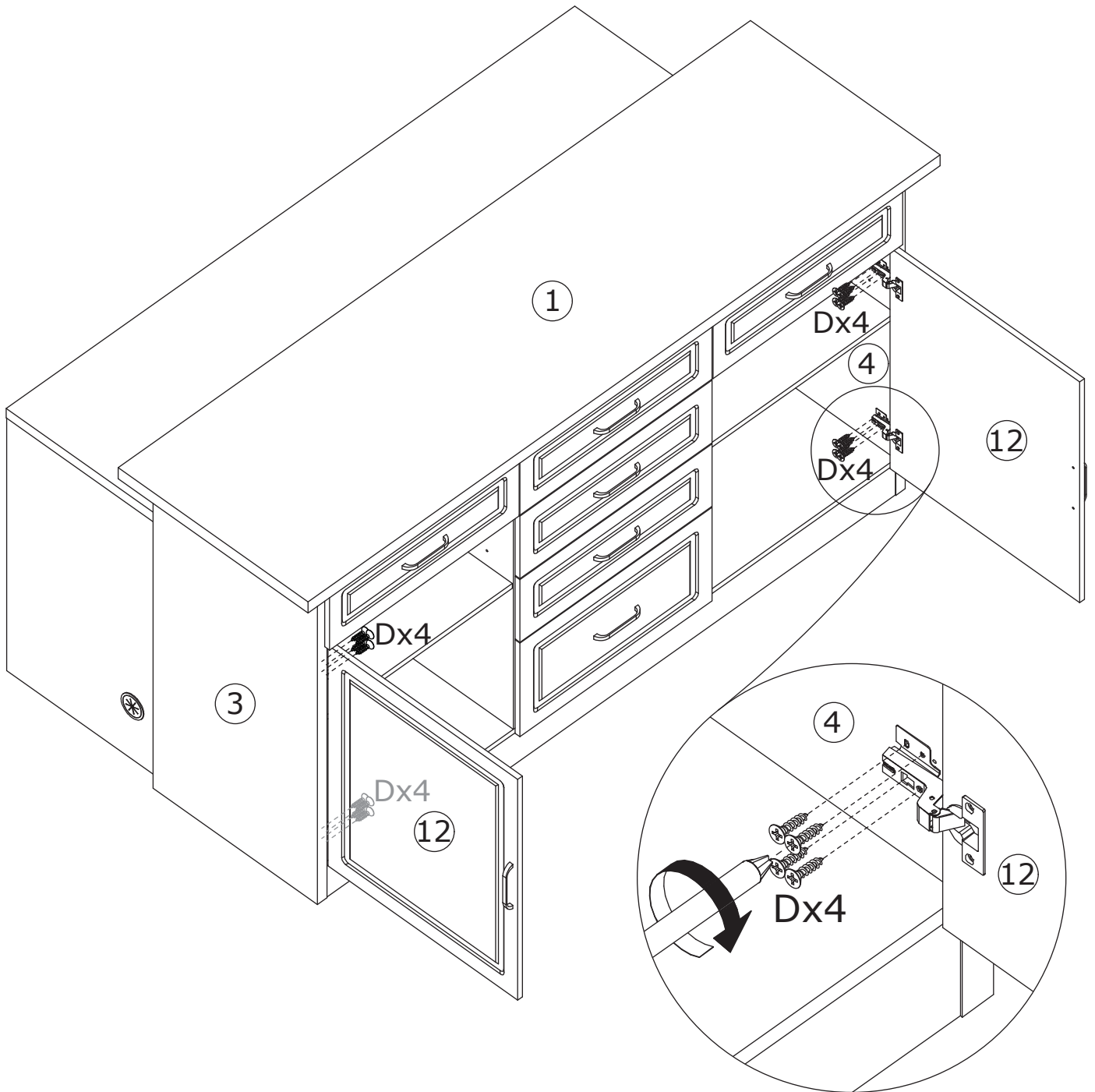


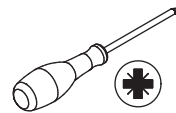
37

D x 16  
M3.5 x 14 mm



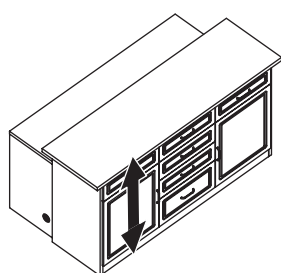
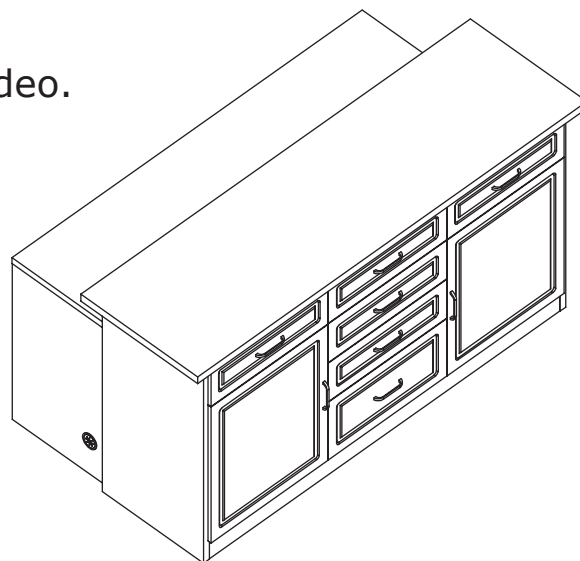
Secure hinge F to board 3 and 4 using screw D.



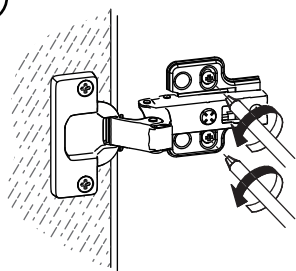


If doors are still not aligned if the hinges are properly installed, please watch the video.

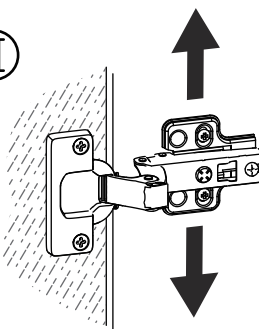
<https://youtu.be/n0Lb36SoODM>



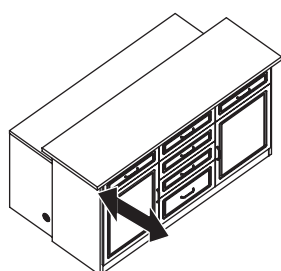
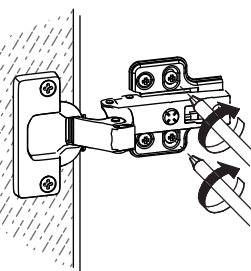
I



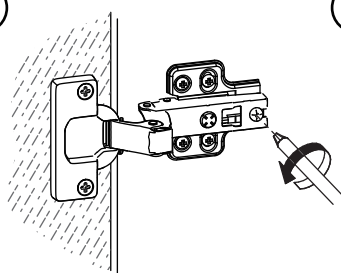
II



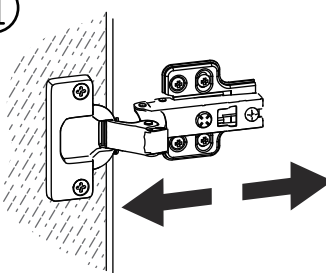
III



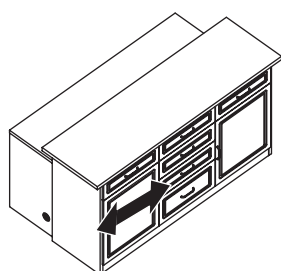
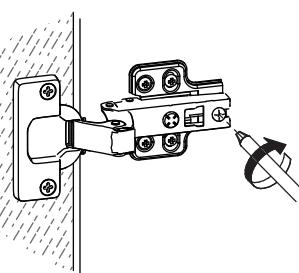
I



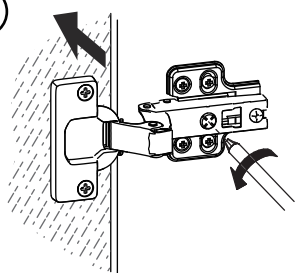
II



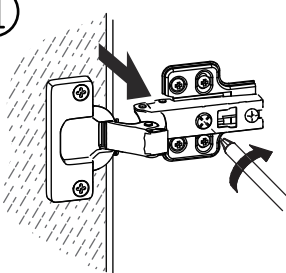
III



I



II



# WARRANTY

## WARRANTY CLAIMS

- There is a 30-day warranty for broken furniture or any other problems that do not work properly. The warranty will start from the date of purchase which must be verified by proof of purchase.
- Before making a claim, we may be able to answer your query, simply call us. Please leave your purchase order number, along with some details of the problem, if you want a replacement part. We will arrange within 48 hours. If there is out of stock, we will reply with a shipping date.
- The product must be used in accordance with the instructions provided. For health reasons.
- For other reasons, if the furniture needs to be returned, it must be cleaned and dried and operated within 30 days of receipt.

## Type of Warranty Claim

- Failure to follow the furniture instructions will invalidate the warranty. Attention please.
- Does not include damage during installation, but includes damage during transportation.

## Scope of responsibility

- Shall not bear any responsibility for misuse or user damage and / or loss of parts during the installation of furniture.
- After using, the damage and scratches of the furniture are not covered by the warranty.

## The Warranty Relates to All Bought in The Us and Covers The Following Areas

- Sheet parts: 1 month from the date of purchase.
- Electrical parts: 1 month from the date of purchase.

# RETURNS

## CHANGED YOUR MIND AND NEED TO RETURN YOU ITEM?

### PLEASE FOLLOW THE BELOW INSTRUCTIONS:

- If you have purchased and have simply changed your mind, follow the retailer's instructions for returns.

### DEFECTIVE ITEMS

- If your item is defective in any way, i.e. it doesn't work but you can't identify why, in the first instance, please call us.

### DAMAGED ITEMS

- If you receive an order with obvious shipping damage from the retailer, then we suggest the delivery is refused. If the delivery has been accepted and then shipping damage is found, please follow the specific instructions advised by the retailer.  
In all circumstances please save all packaging material and paperwork for the order. Please be aware that if you dispose of packaging material or attempt to return the merchandise without contacting the fulfiller, you jeopardise your chances of making a claim, and you may not receive a credit for the return.

### AFTER-SALES CONTACT



adelahu@fufugaga.com



208-820-0068