



ASSEMBLY INSTRUCTIONS



One of the unique features of Homsee furniture is its versatility. Designed with the idea of customization in mind, our products can be easily linked together to create seamless, personalized setups that fit your specific needs.

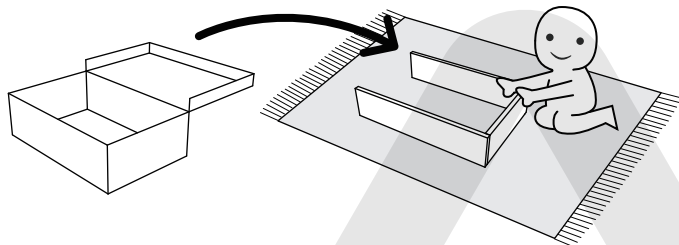
For instance, if you purchase a couple of our shelves, you can effortlessly combine them to form a larger, unified structure. This modular approach allows you to expand, rearrange, and adapt your furniture as your space and style evolve. Whether you're looking to create a vast shelving system, or a continuous storage solution, the possibilities are endless.

At Homsee, we empower you to create a space that is truly yours—one that grows with you, all while maintaining a sleek, cohesive look.



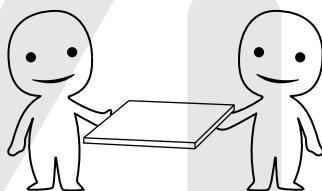
IMPORTANT INFORMATION!

please read the entire manual before starting to assemble or using this product. follow the manual thoroughly and keep it for further reference.



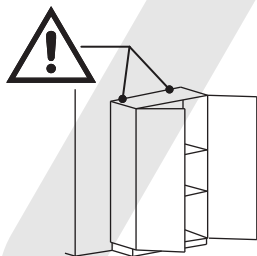
AVOID SCRATCHES!

In order to avoid scratching this furniture should be assembled on a soft layer—could be a rug.



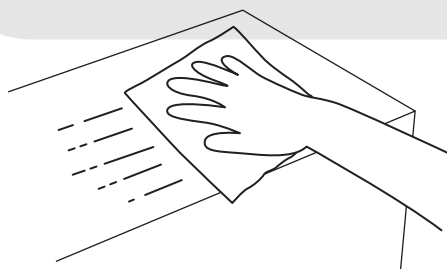
IMPROVE EFFICIENCY !

Try to find a partner to install with you, which can speed up the installation efficiency and shorten the time.



ANTI-TOPPLE WARNING !

Overturnd furniture can cause serious or fatal crush injuries. To prevent tipping over, be sure to use the wall attachment, if not included with this product. Please purchase the wall attachment that fit your wall. If unsure, seek professional advice. Please read and follow each step of the instructions carefully.

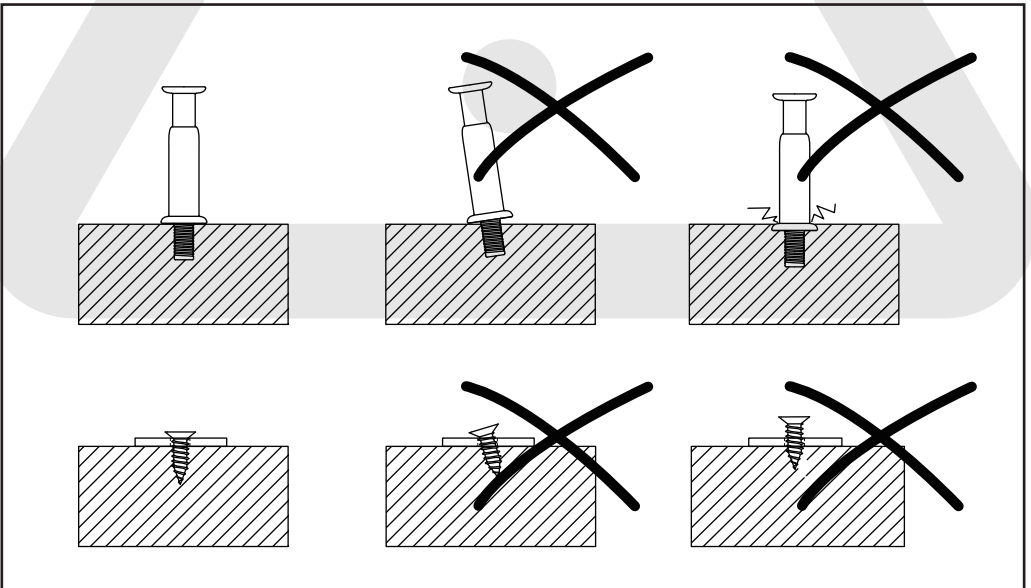
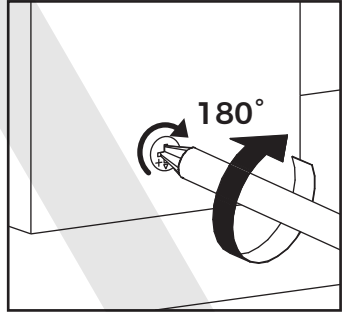
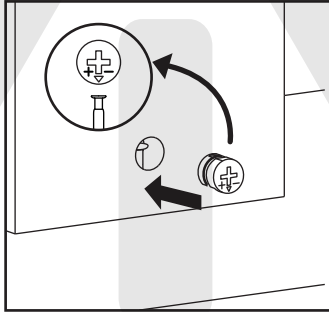
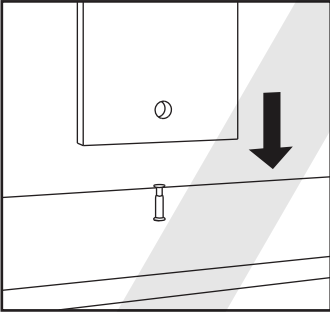
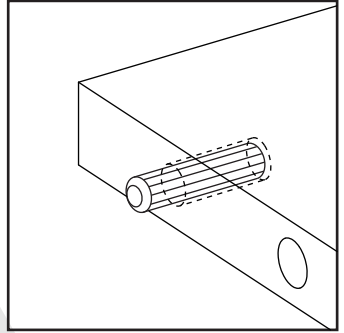
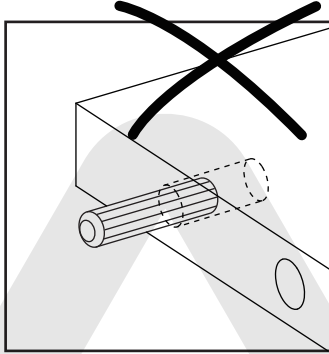
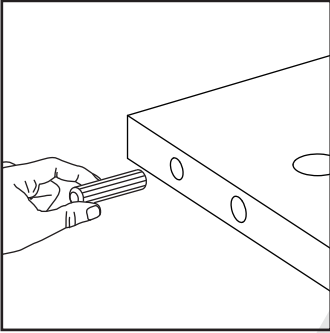


MAINTENANCE AND CLEANING !

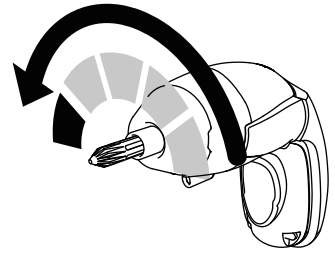
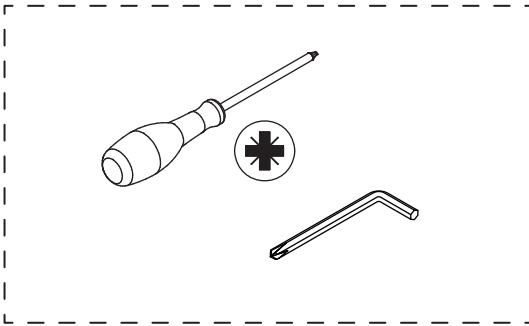
For regular maintenance and cleaning of the product, for the frame, please use a rag dipped in neutral detergent to fully wipe it, and then dry it with a clean rag. For glass materials, wipe with a rag dampened with water glass cleaner, and then dry with a dry rag.



The following installation steps are quite common and require correct operation during the installation process. Incorrect use can damage furniture




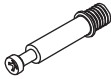
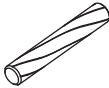

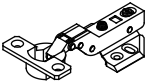
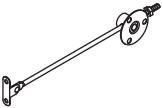


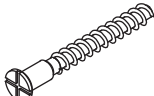
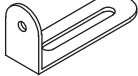
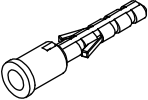
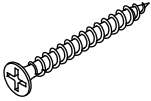

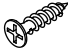
Please prepare the following tools



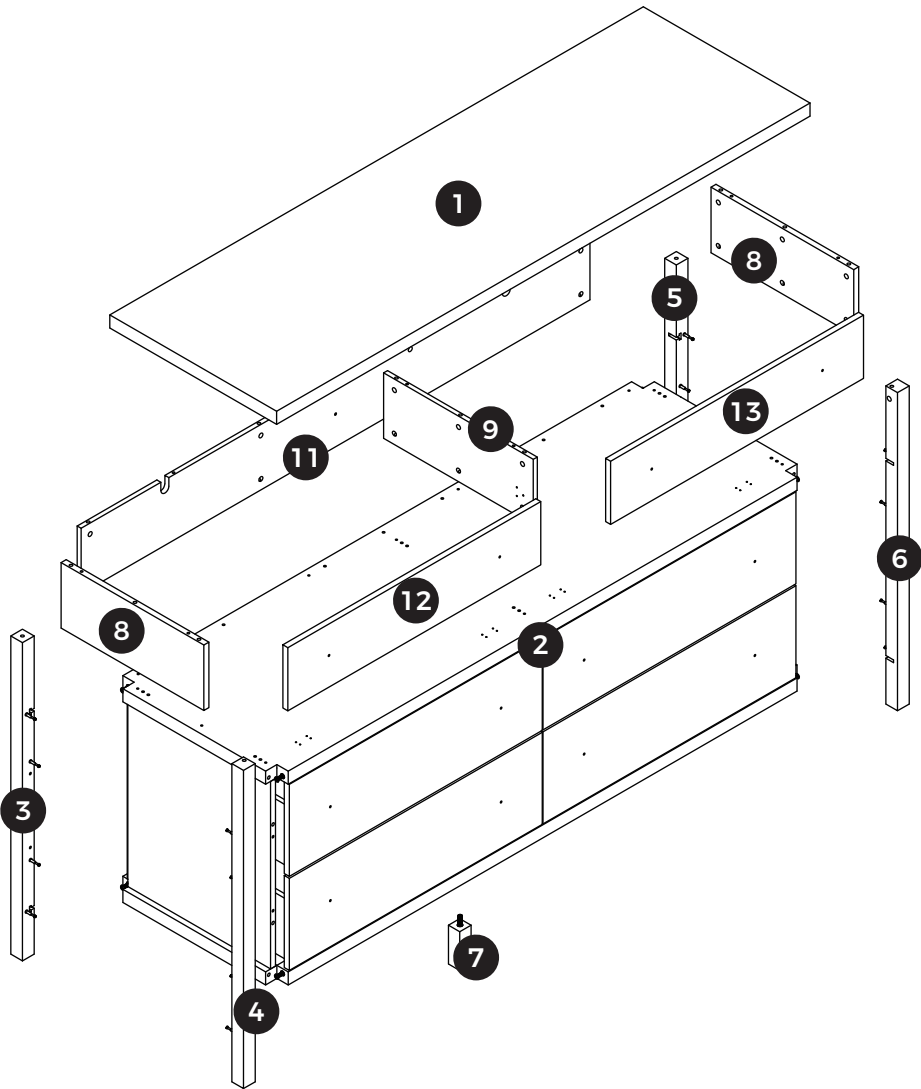
If you choose to use power tools, set it to the slower setting. Be careful! Power tools can cause cracking or damage to the furniture, they can also damage the hardware.



Some accessories have the same shape, please distinguish them according to their numbers and sizes during installation.

<p>A x 46</p>  <p>CRB1295A</p>	<p>B x 30</p>  <p>CRA0635B</p>	<p>C x 26</p>  <p>CRF0630A</p>	<p>D x 1</p> 	<p>E x 4</p>  <p>DGA861C</p>
<p>F x 2</p> 	<p>H x 4</p> 	<p>J x 4</p>  <p>CRE0420A</p>	<p>K x 1</p>  <p>CRC0540A</p>	<p>L x 2</p> 
<p>M x 2</p> 	<p>N x 2</p>  <p>CRD3535A</p>	<p>P x 22</p>  <p>CRD0310A</p>	<p>Q x 14</p>  <p>CRD3514A</p>	

Parts List



⚠ WARNING	
	<p>Children have died from furniture tipover. To reduce the risk of furniture tipover:</p> <ul style="list-style-type: none"> • ALWAYS install Anti-tip device provided • NEVER put a TV on this product. • NEVER allow children to stand, climb or hang on drawers, doors, or shelves. • NEVER open more than one drawer at a time. • Place heaviest items in the lowest drawers. <p style="text-align: center;">This is a permanent label. Do not remove!</p>
	



60 MINUTES



2 OF ADULTS



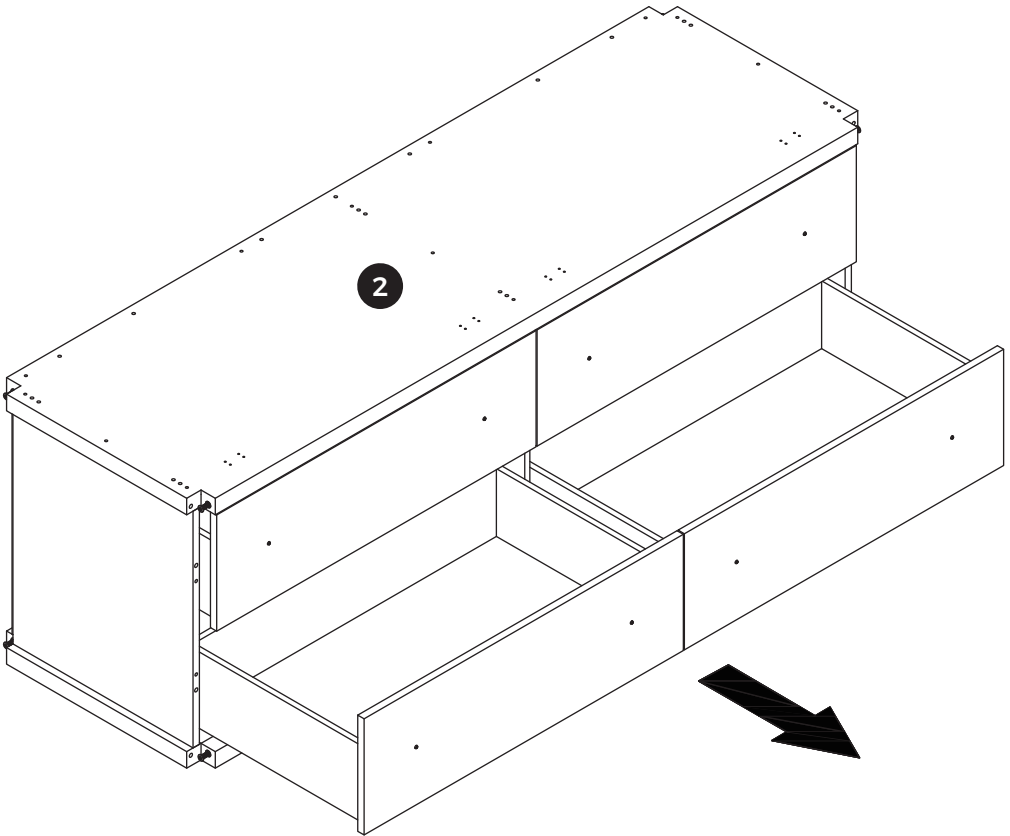
EASY

The parts listed above are required for proper assembly. If there are any issues. Contact us: customerservice@homsee.com

01



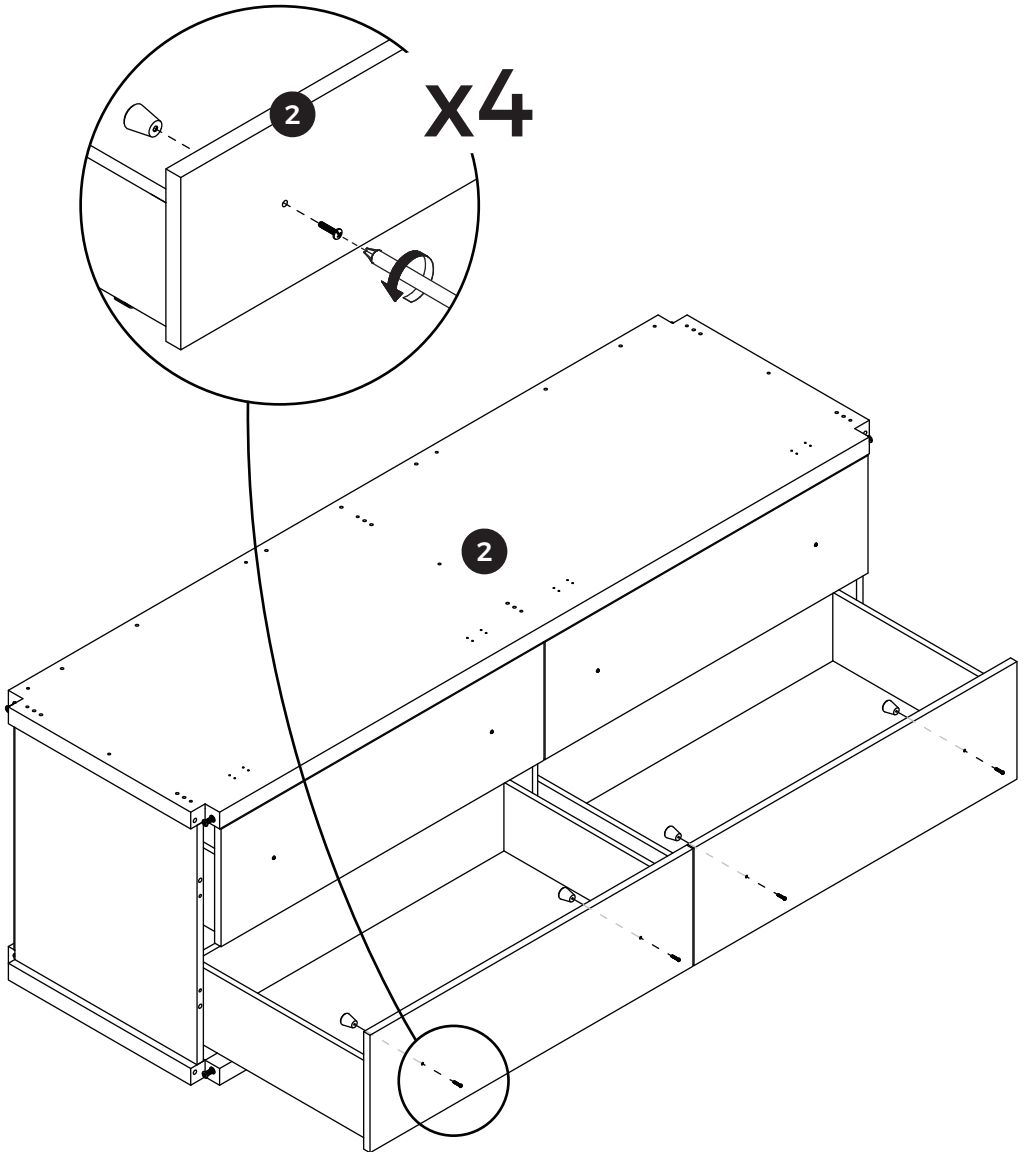
Pull out the drawer.



02



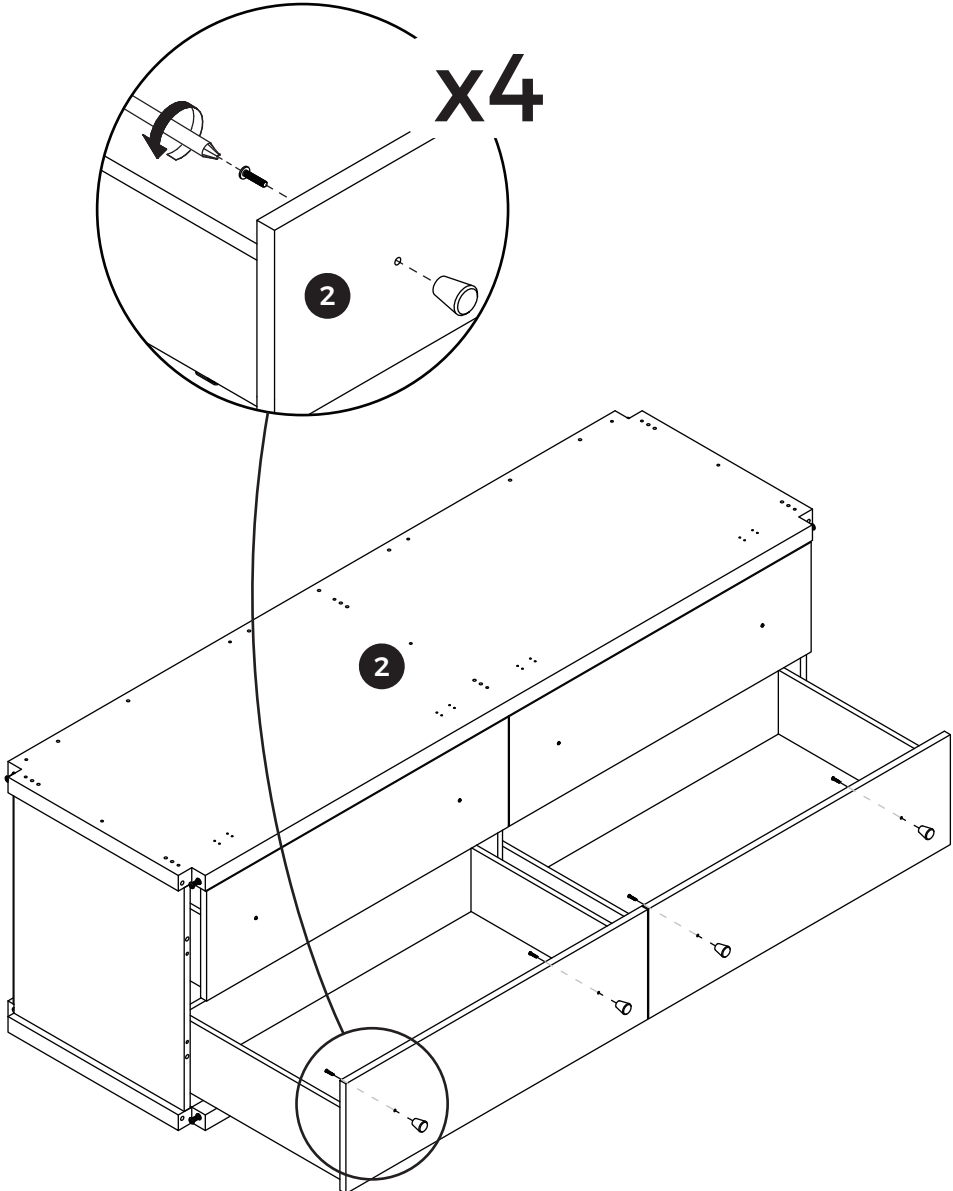
Remove the handle.



03



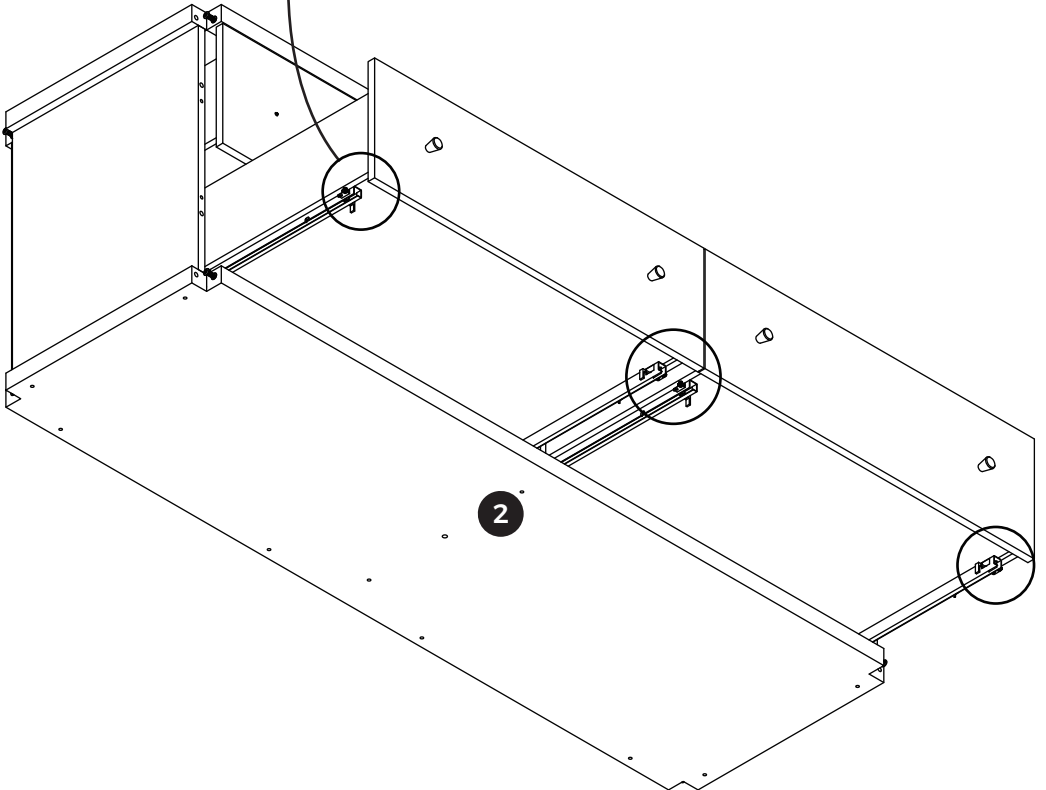
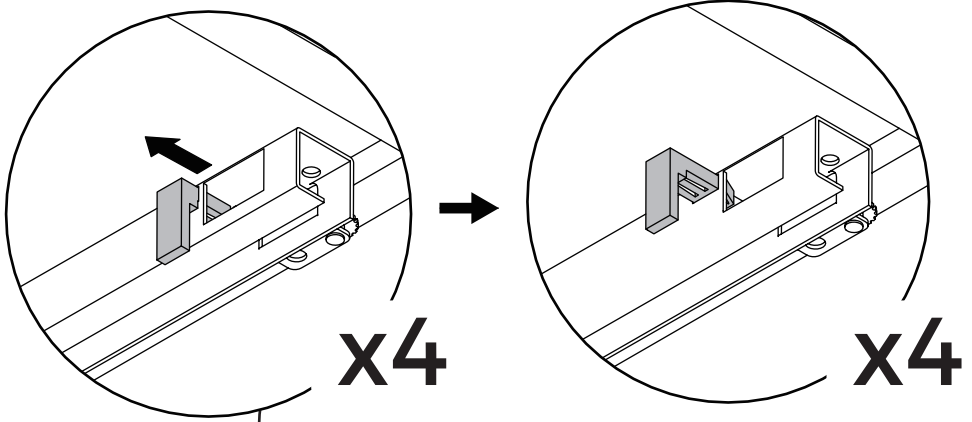
Install the handle in the reversed direction.



04



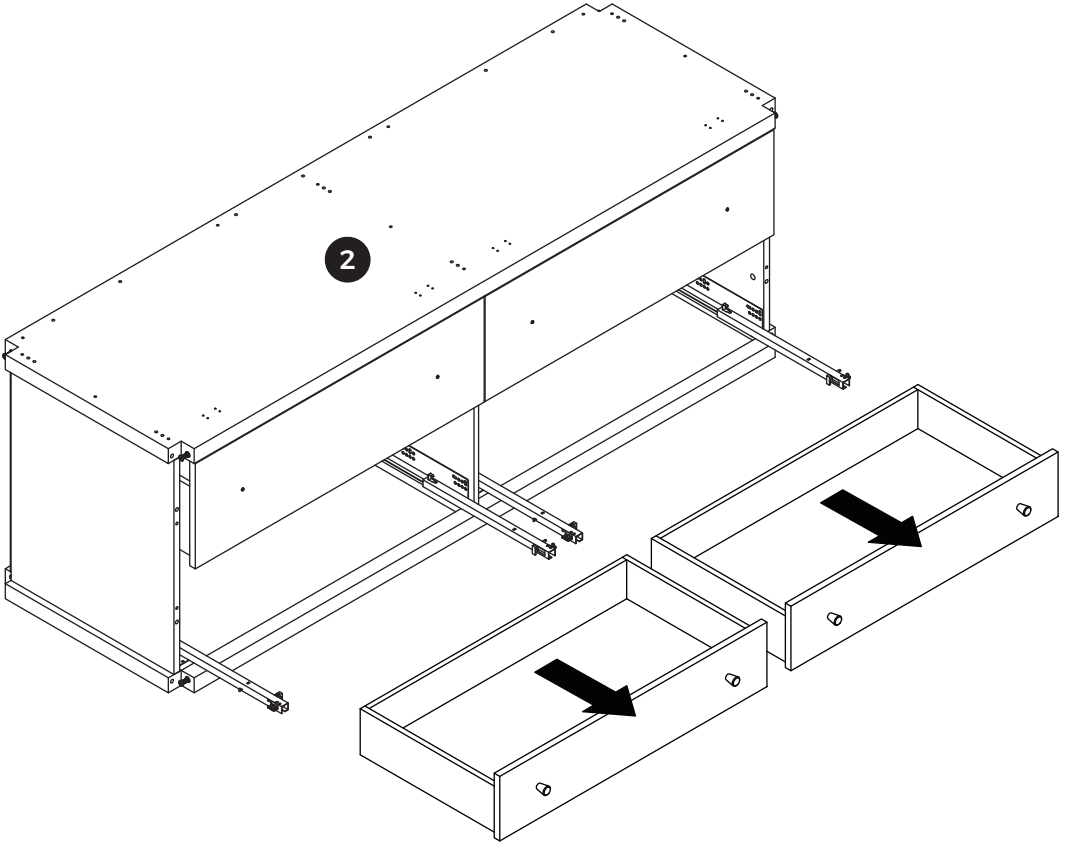
Push aside the clips of the slide rail.



05



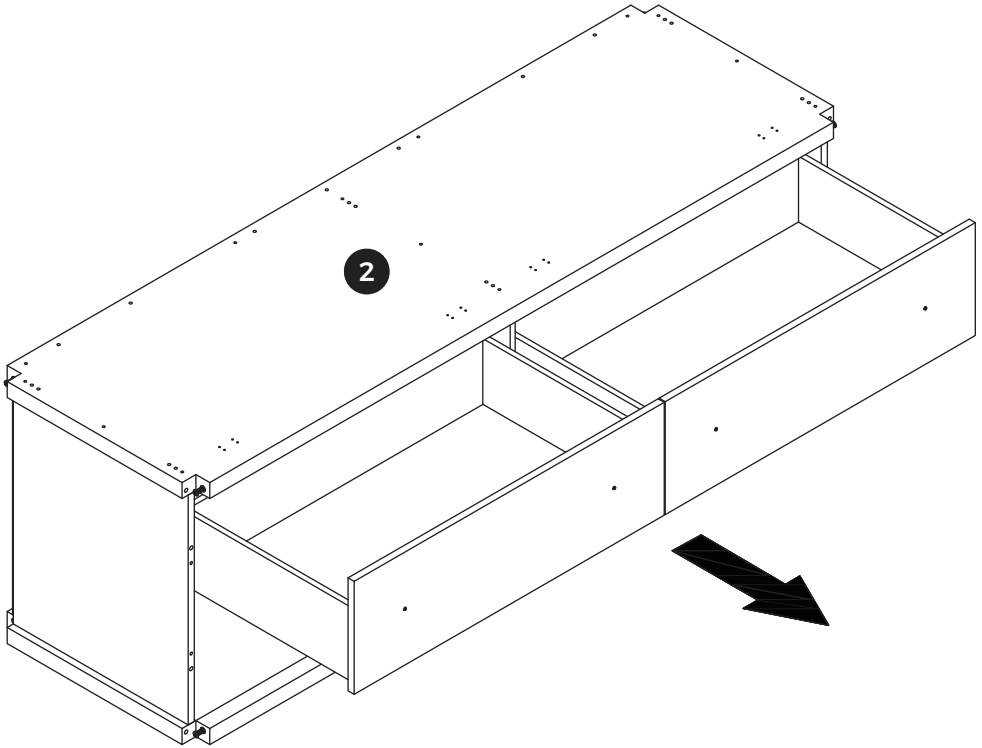
Take down the drawer.



06



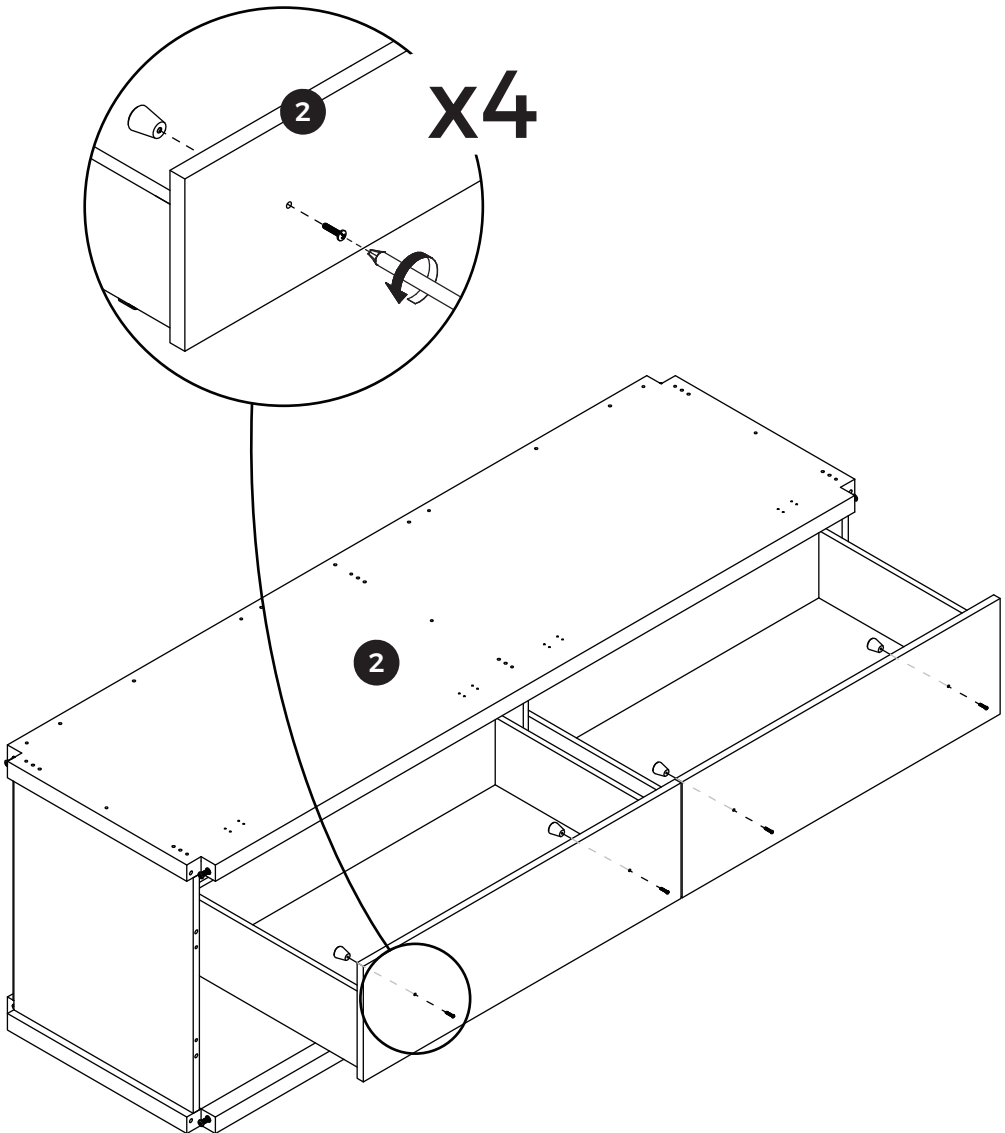
Pull out the drawer.



07



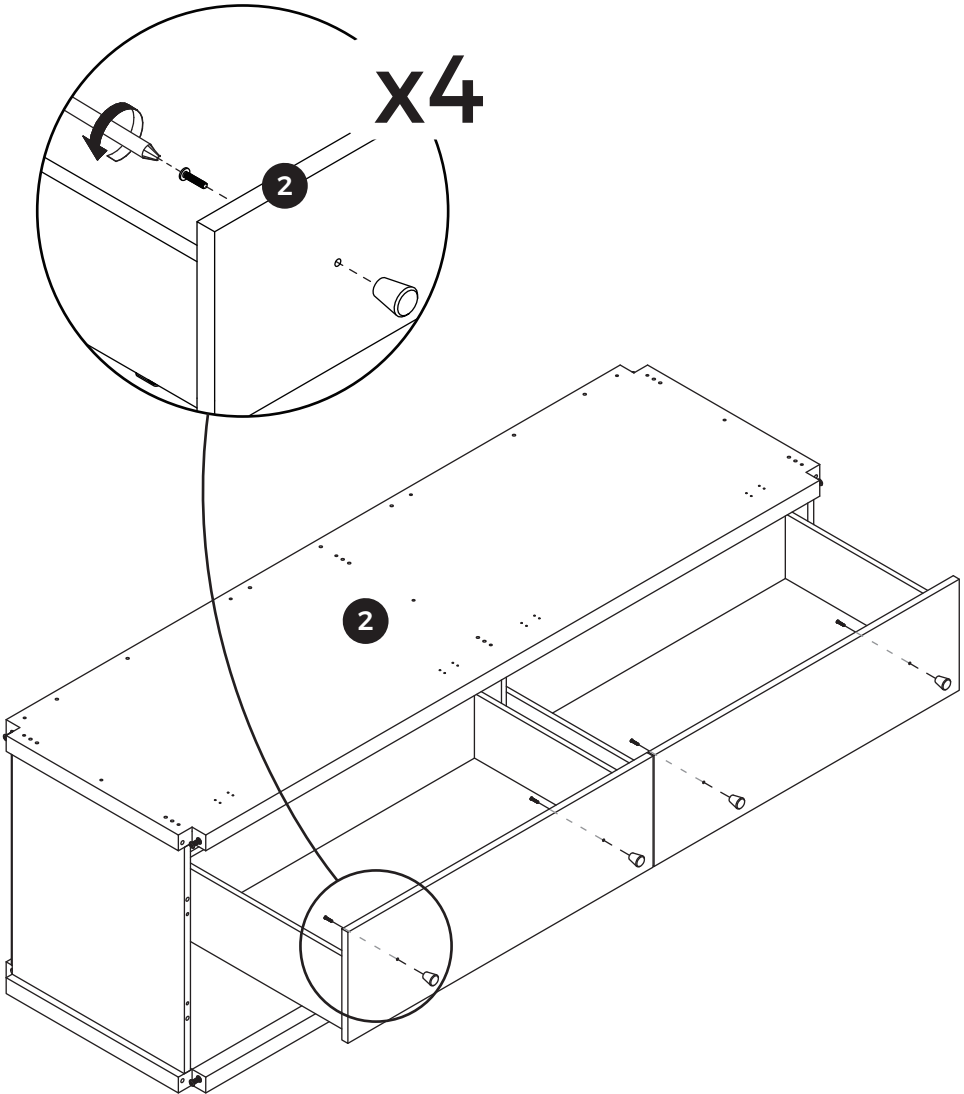
Remove the handle.



08



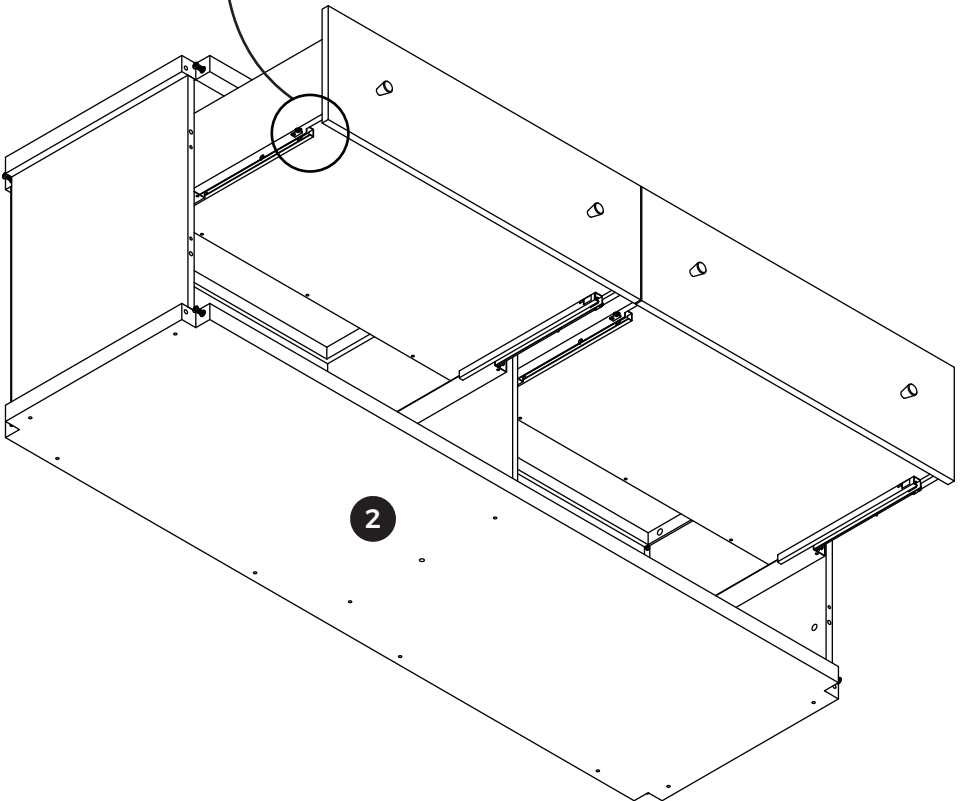
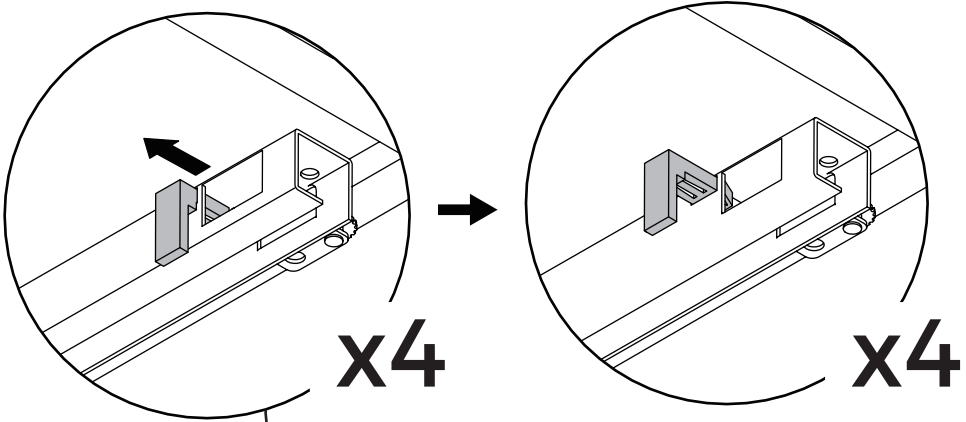
Install the handle in the reversed direction.



09



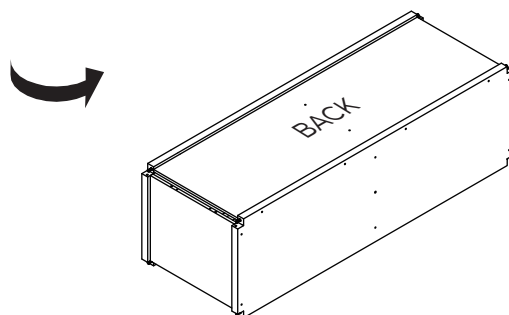
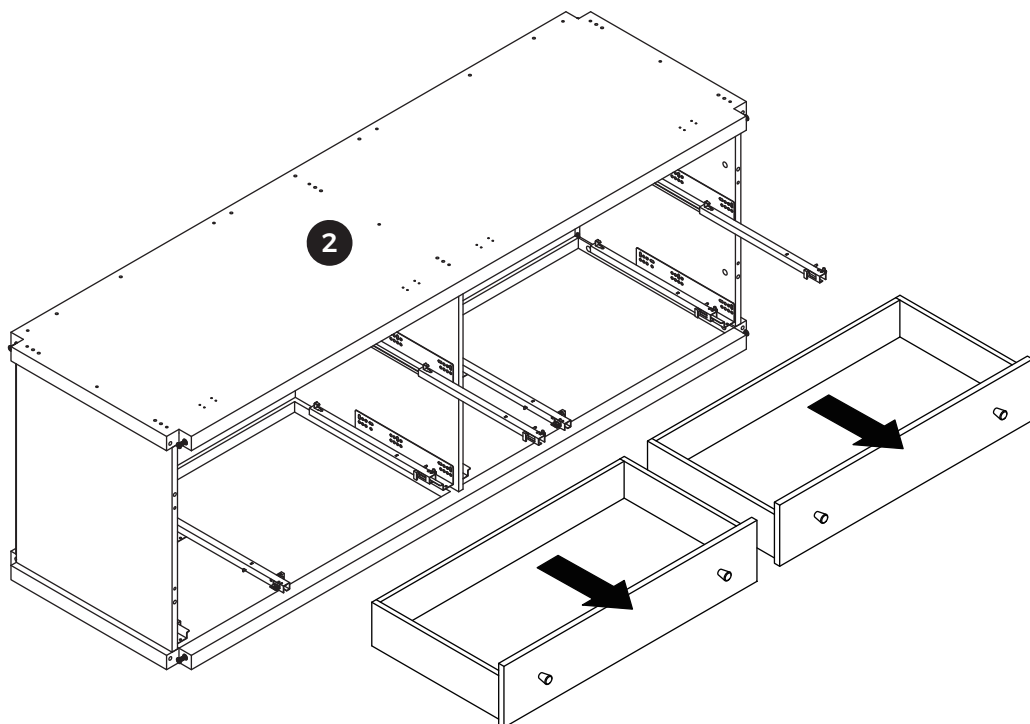
Push aside the clips of the slide rail.



10



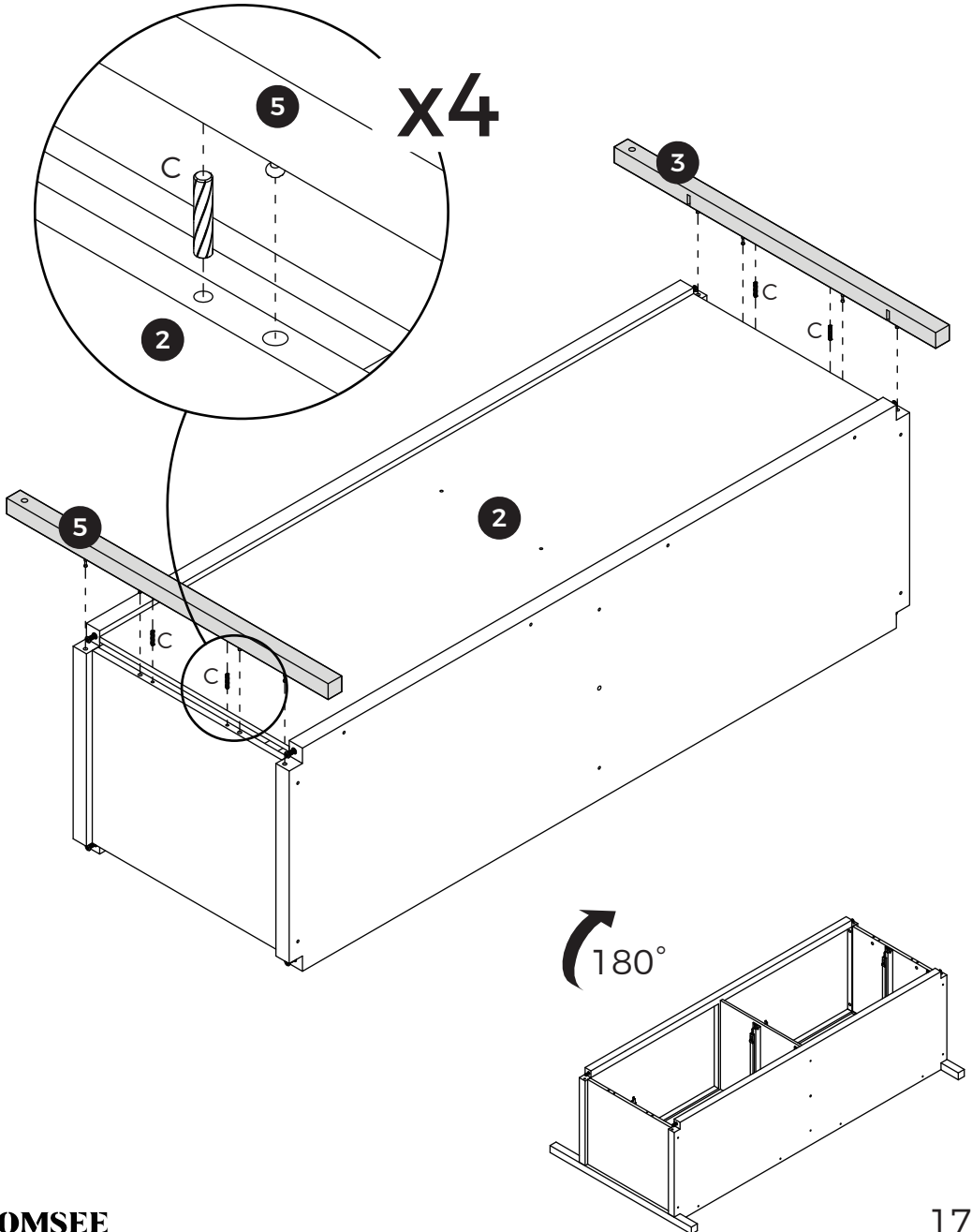
Take down the drawer.
Flip the cabinet body over.



11



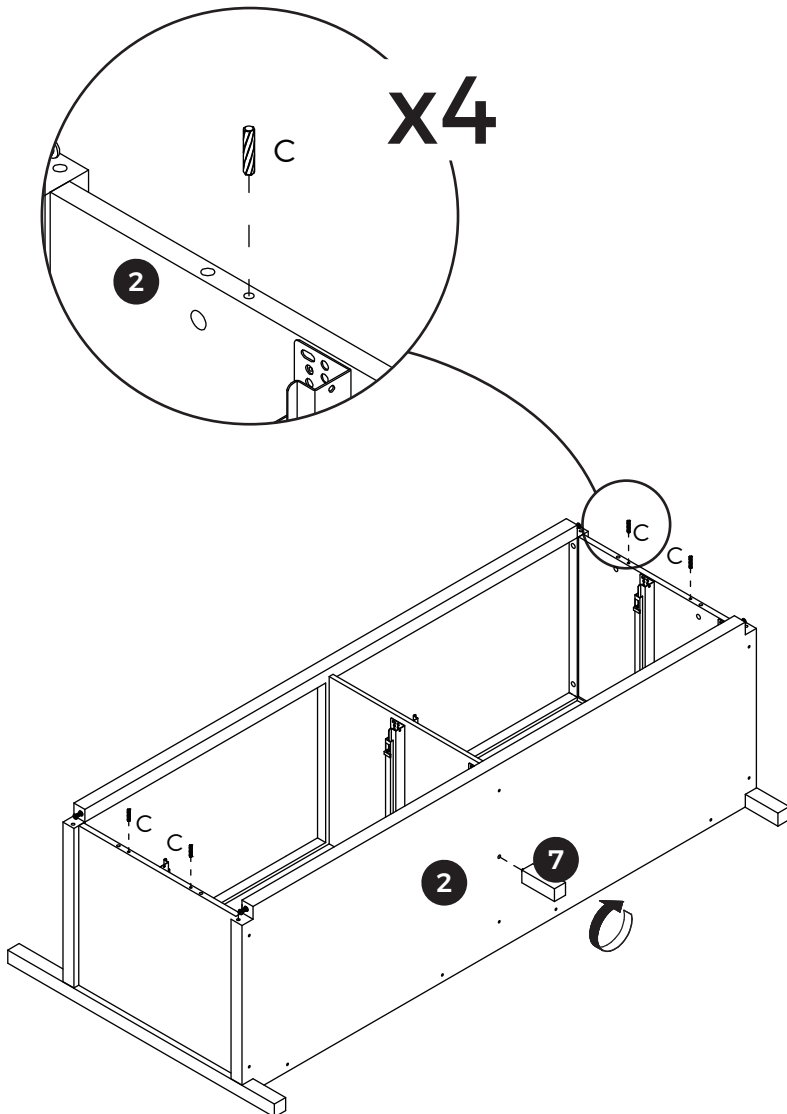
Install Leg 3 and Leg 5 onto Cabinet Body 2 using Wooden Dowel (C).
Flip the cabinet body over.



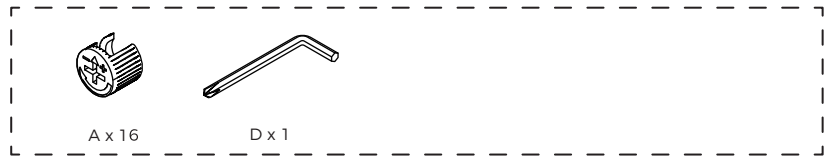
12



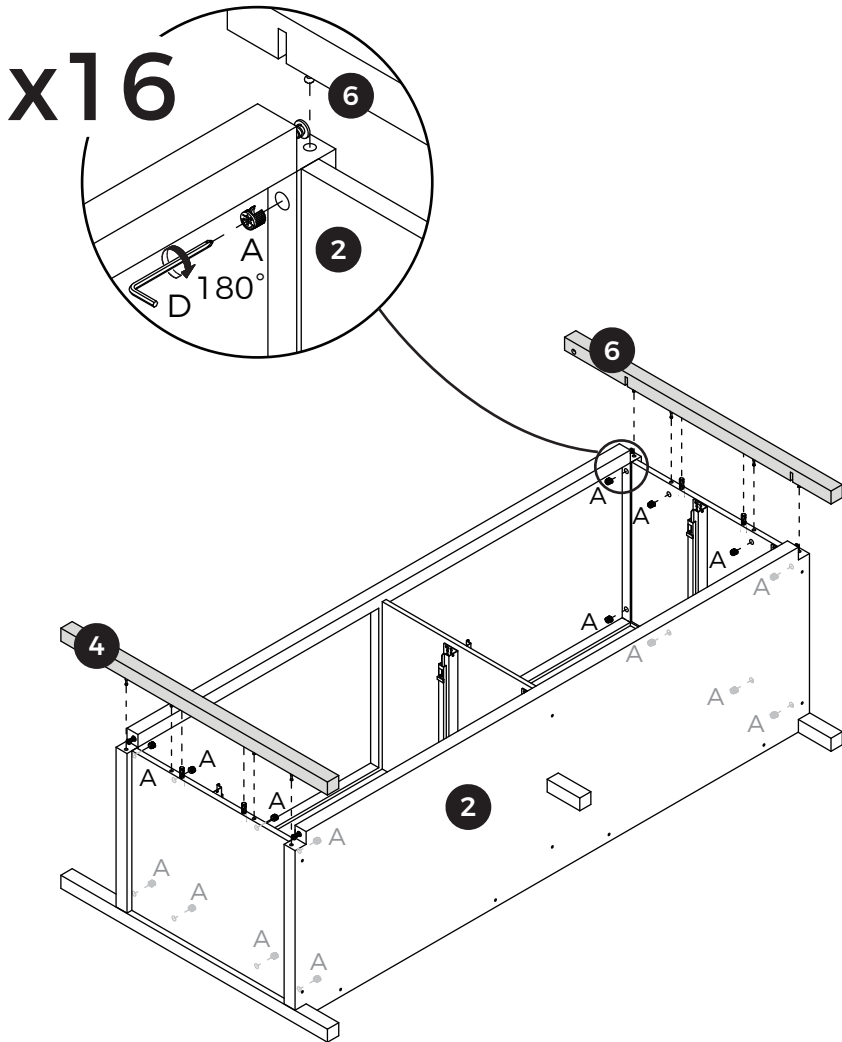
Install wooden dowels(C) onto Cabinet Body 2, and screw Leg 7 into Cabinet Body 2.



13



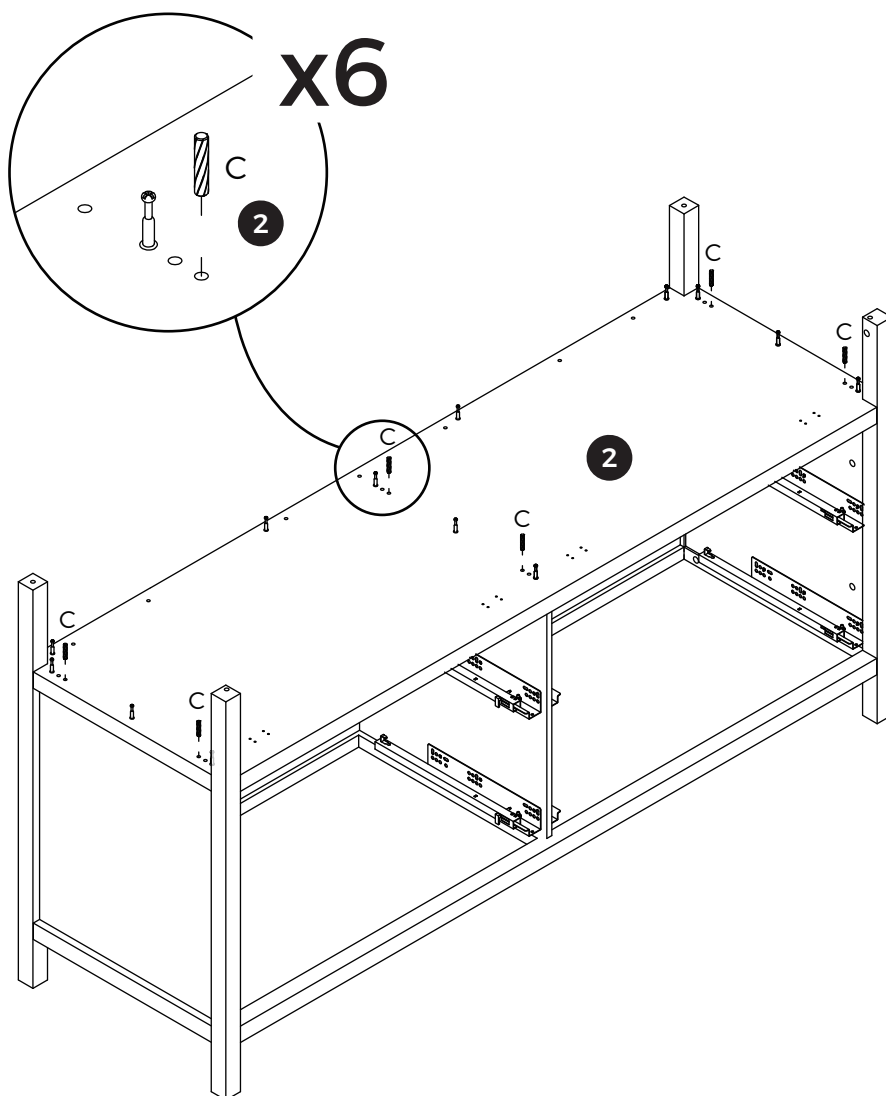
Install Leg 4 and Leg 6 onto Cabinet Body 2: then insert Eccentric Cam (A) and tighten it by turning clockwise.



15



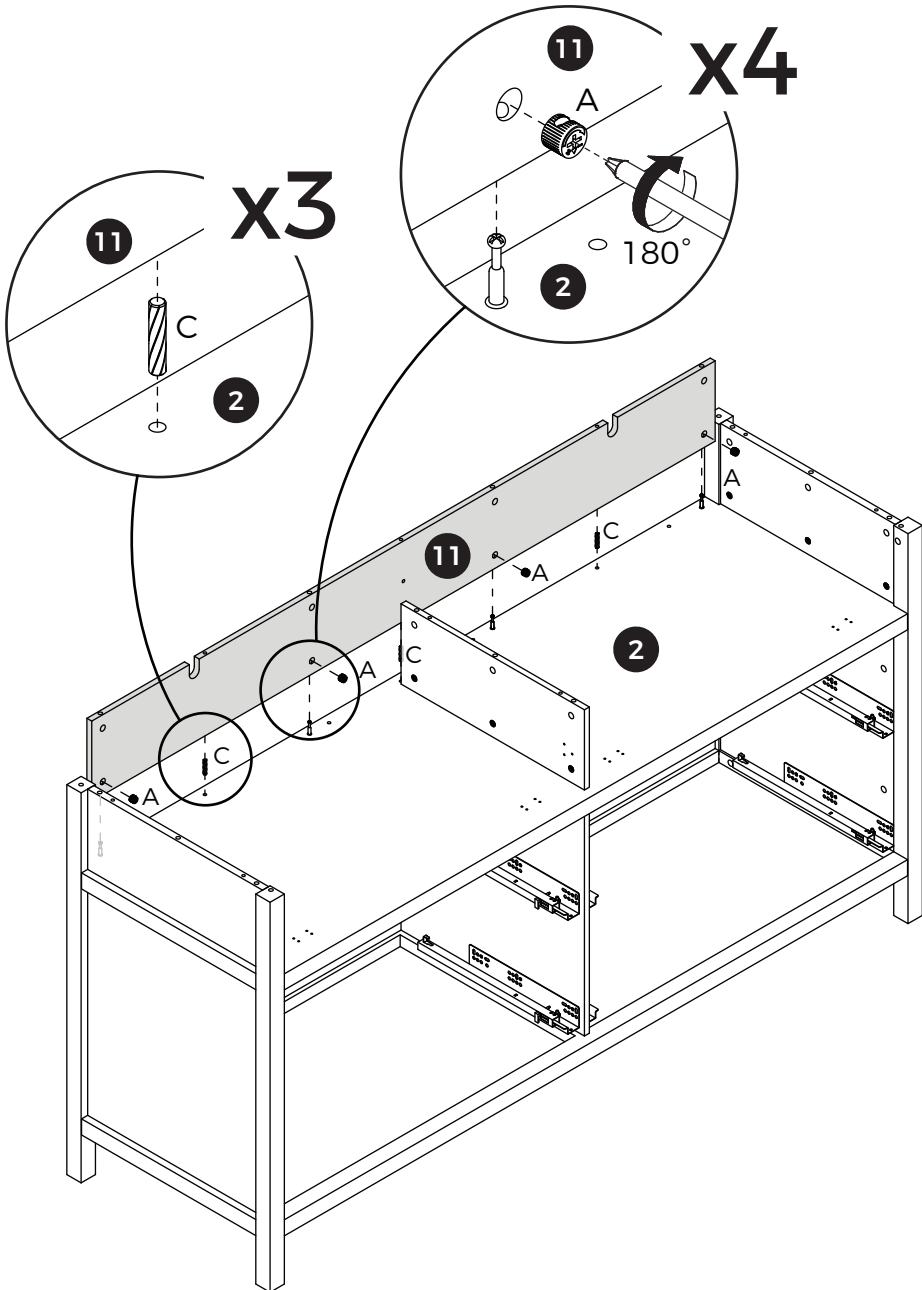
Install wooden dowels(C) onto Cabinet Body 2.



17



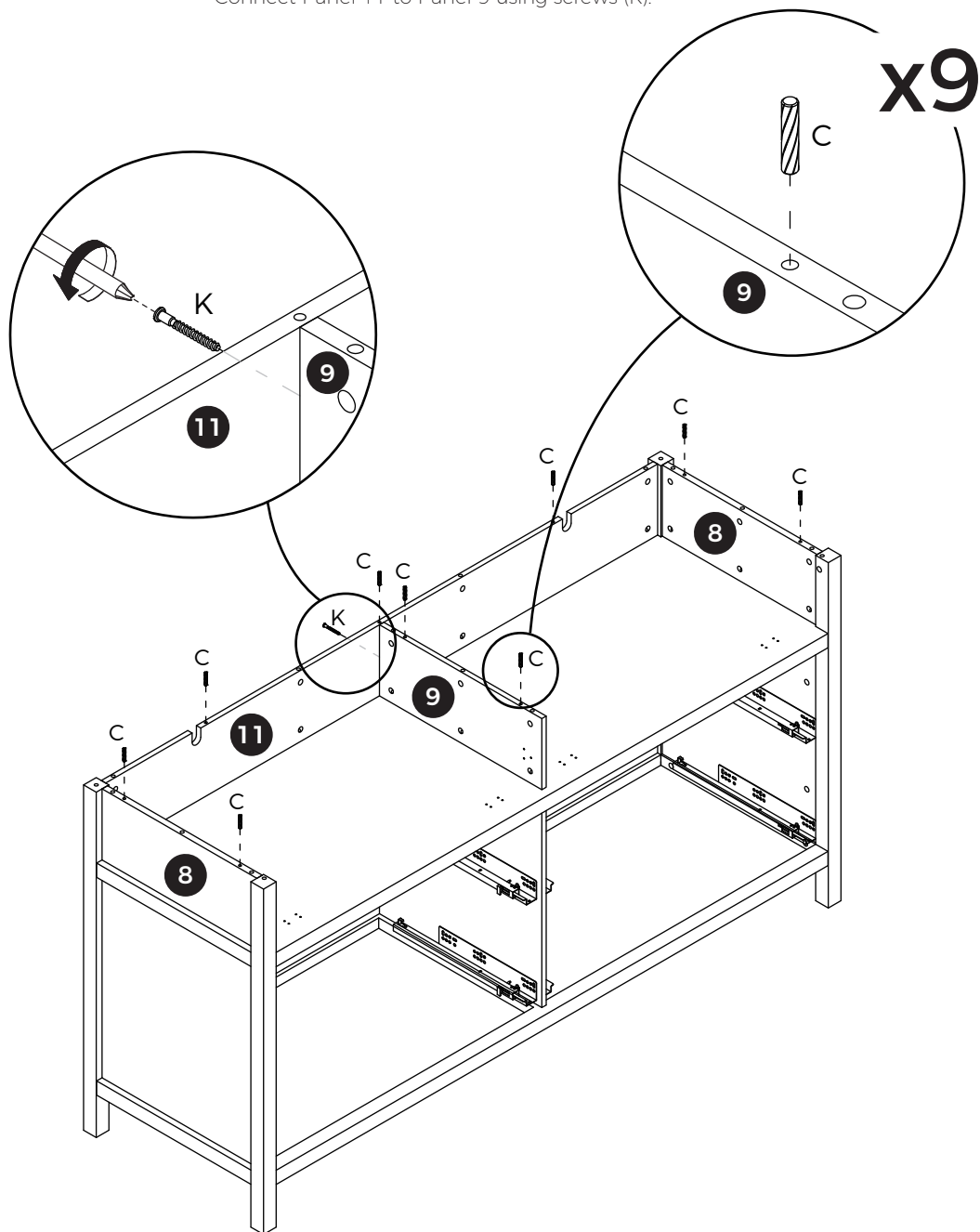
Install Panel 11 onto Cabinet Body 2 using Wooden Dowel (C); then insert Eccentric Cam (A) and tighten it by turning clockwise.



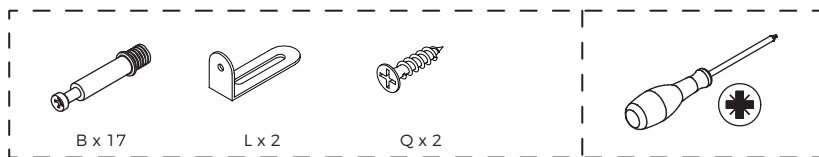
18



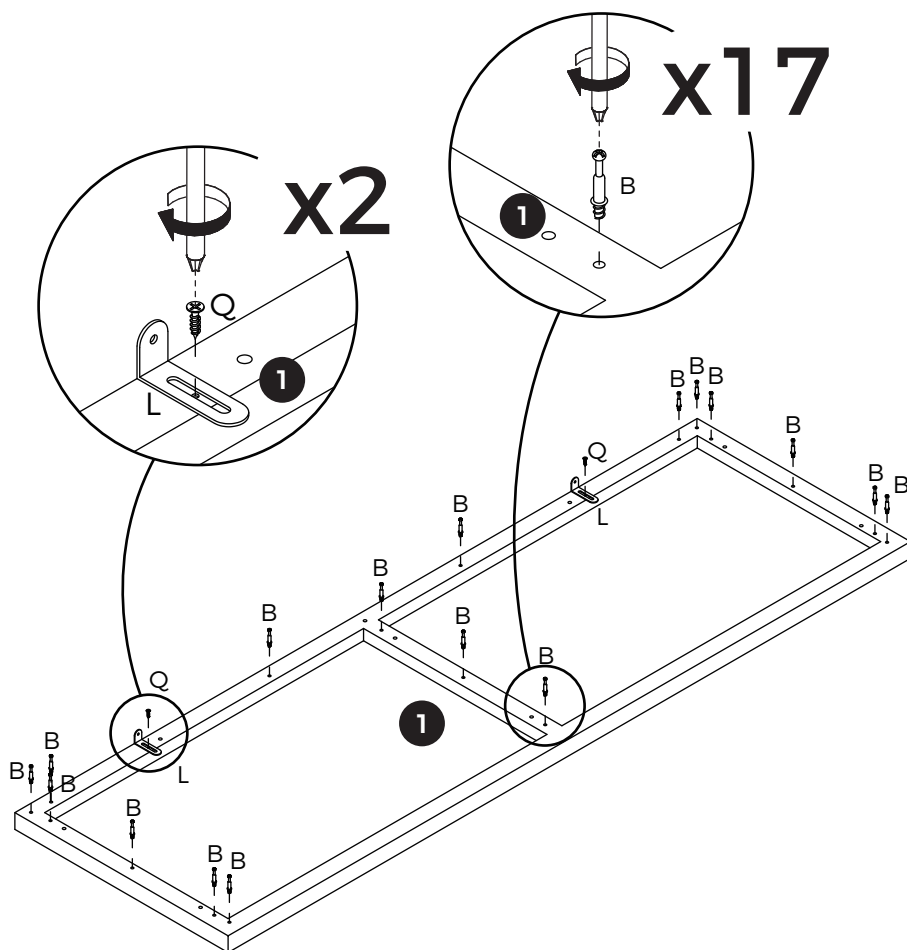
Insert the wooden tenons (C) into Panel 8, Panel 9, and Panel 11.
Connect Panel 11 to Panel 9 using screws (K).



19



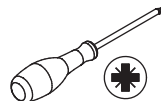
Screw the Self-tapping Rod (B) into Panel 1, and fix Component (L) to Panel 1 using Screw (Q).



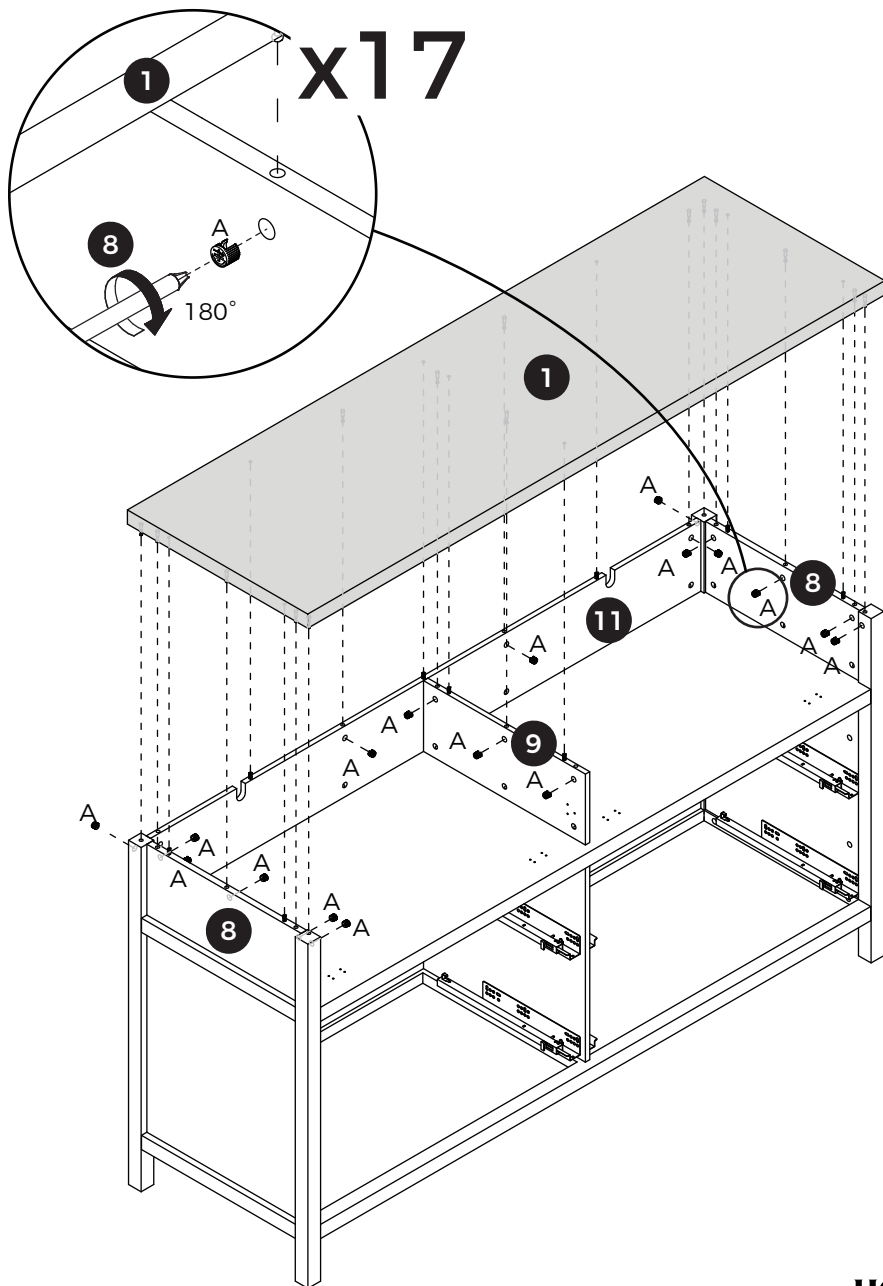
20



A x 17



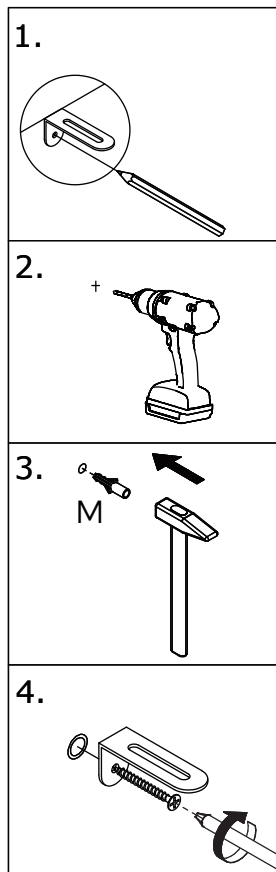
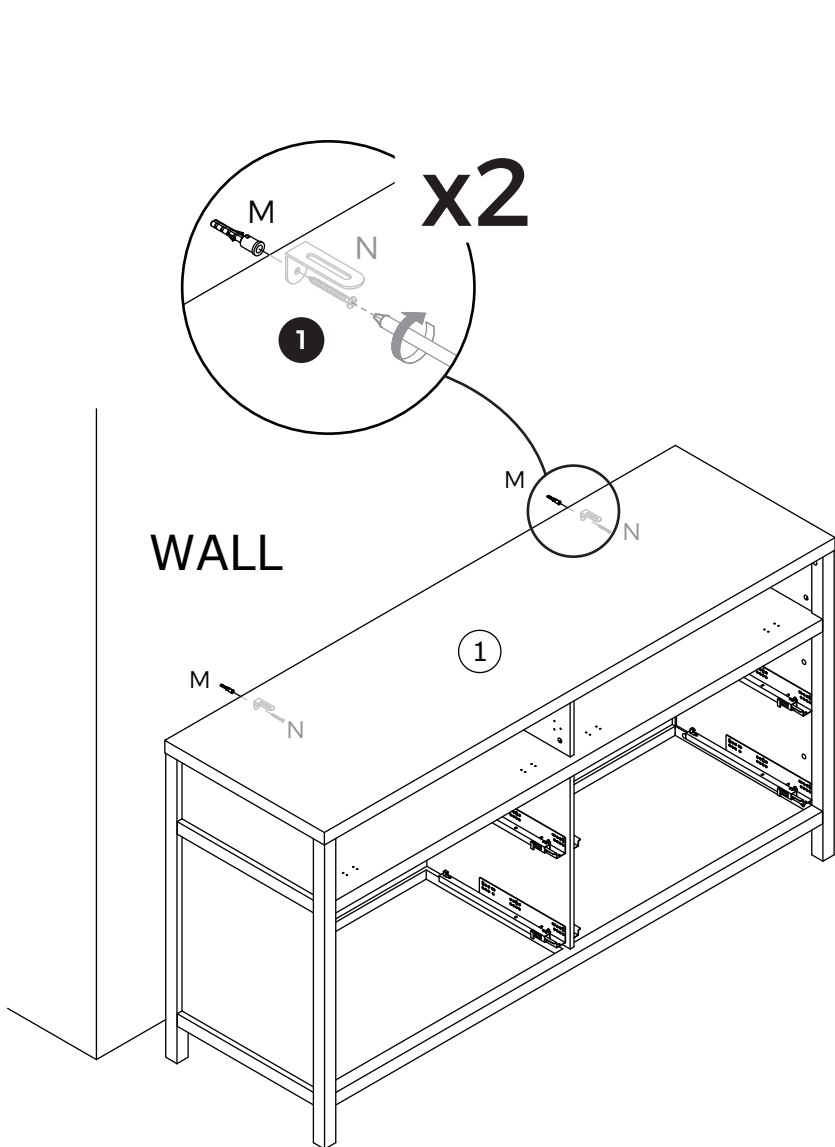
Connect Panel 1 to the cabinet, then insert the eccentric cams (A) and tighten them by turning clockwise.



21



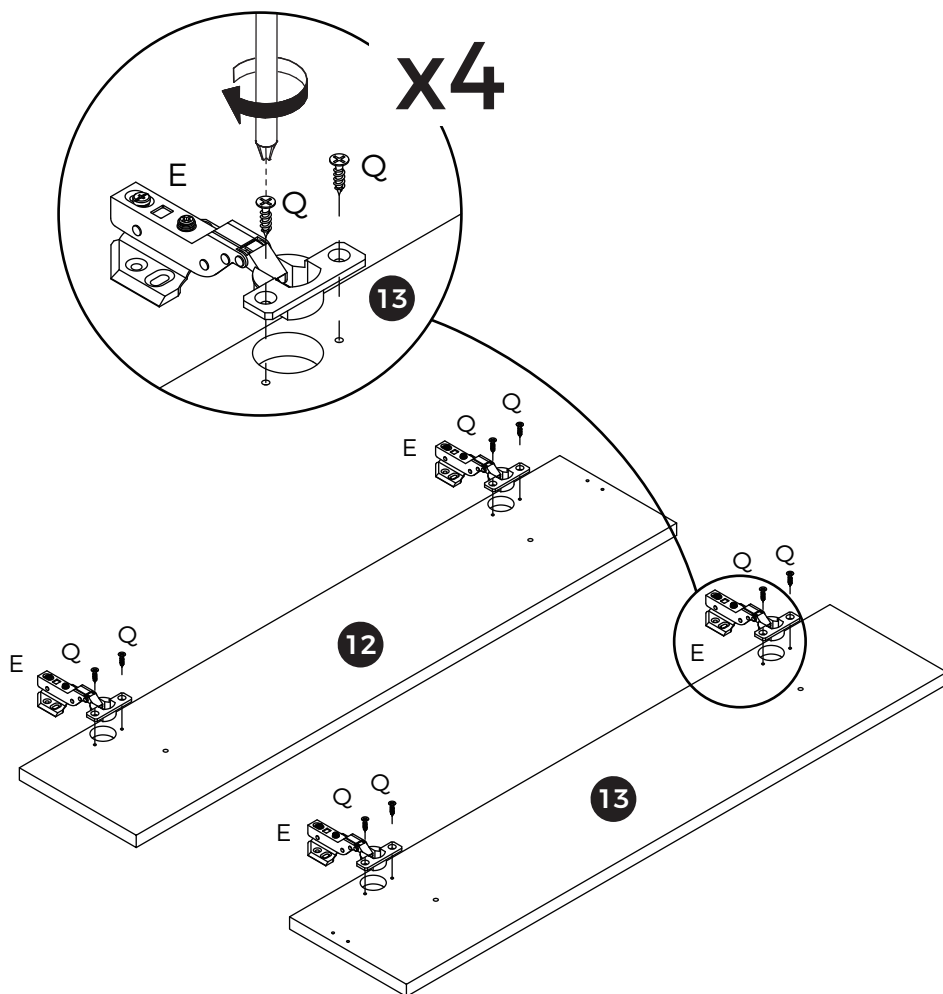
Install the anti-tip device as shown in the diagram.



22



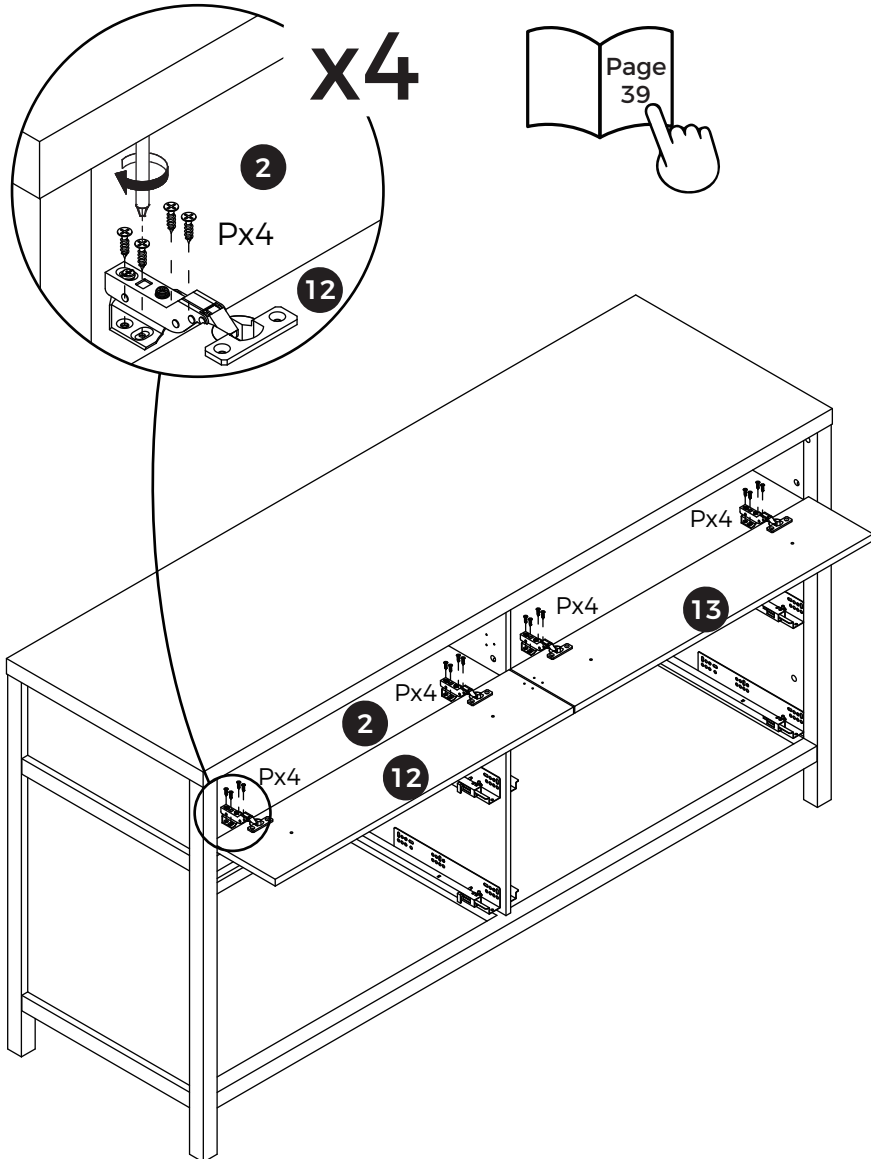
Fix Component (E) to Panel 12 and Panel 13 using Screw (Q).



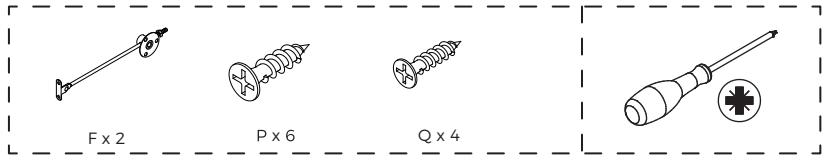
23



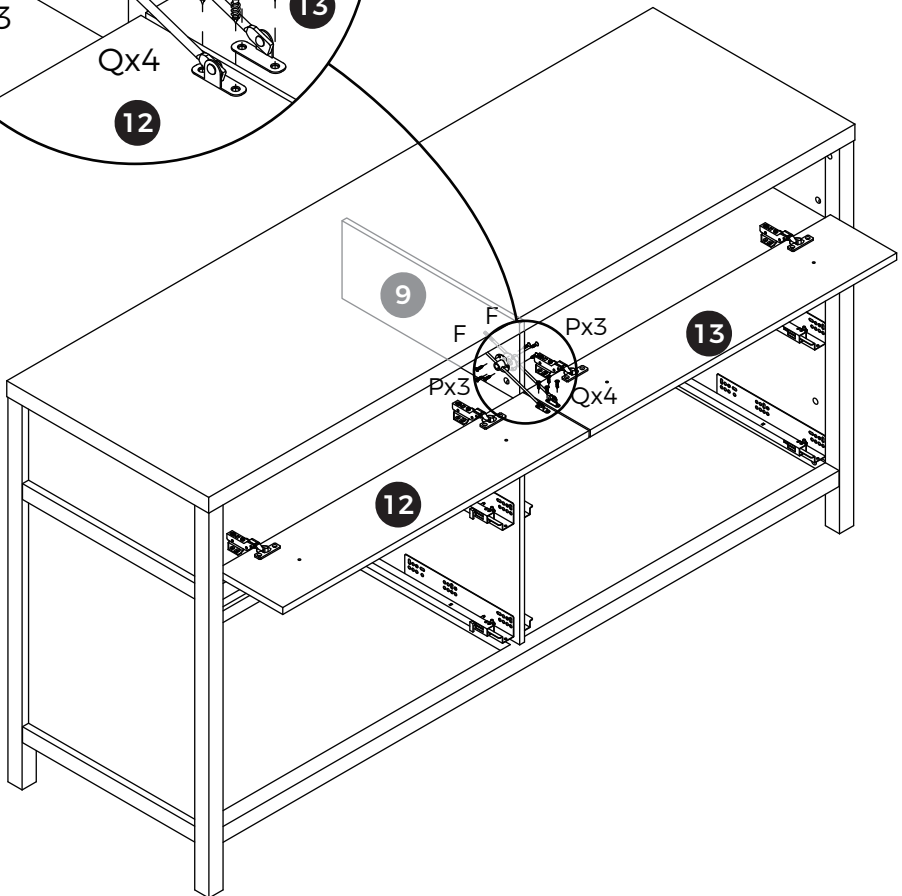
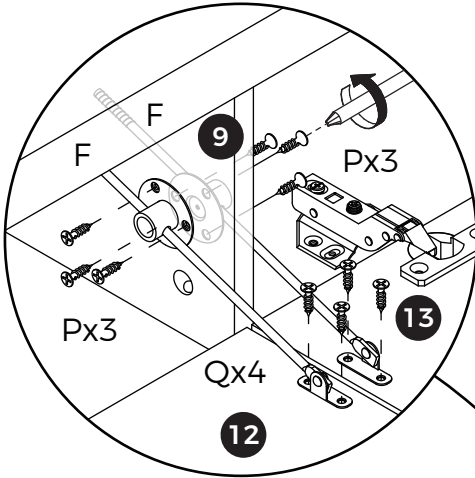
Connect Panel 12 and Panel 13 to Cabinet Body 2 using Screw (P).



24



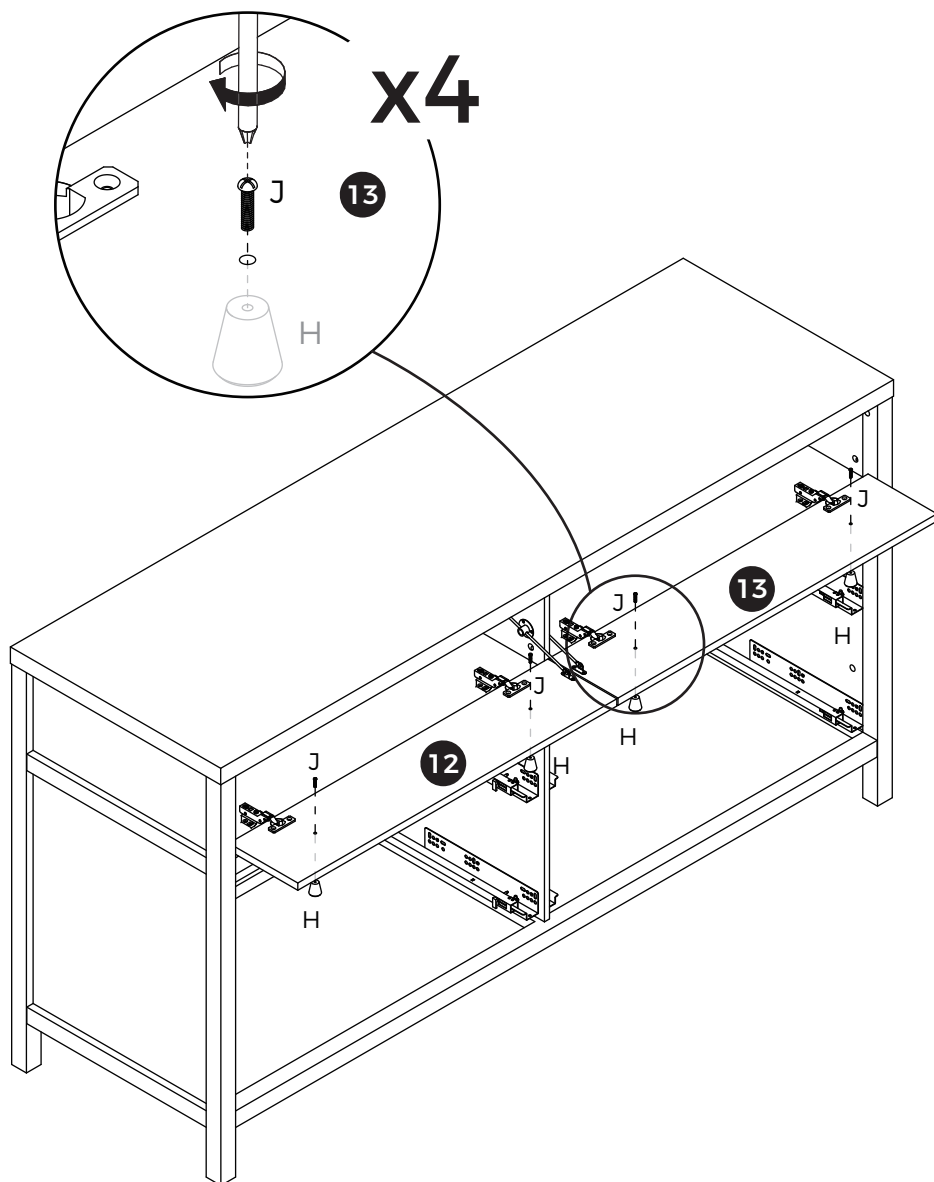
Fix Component (F) to Panel 9 using Screw (P), and fix Component (F) to Panel 12 and Panel 13 using Screw (Q).



25



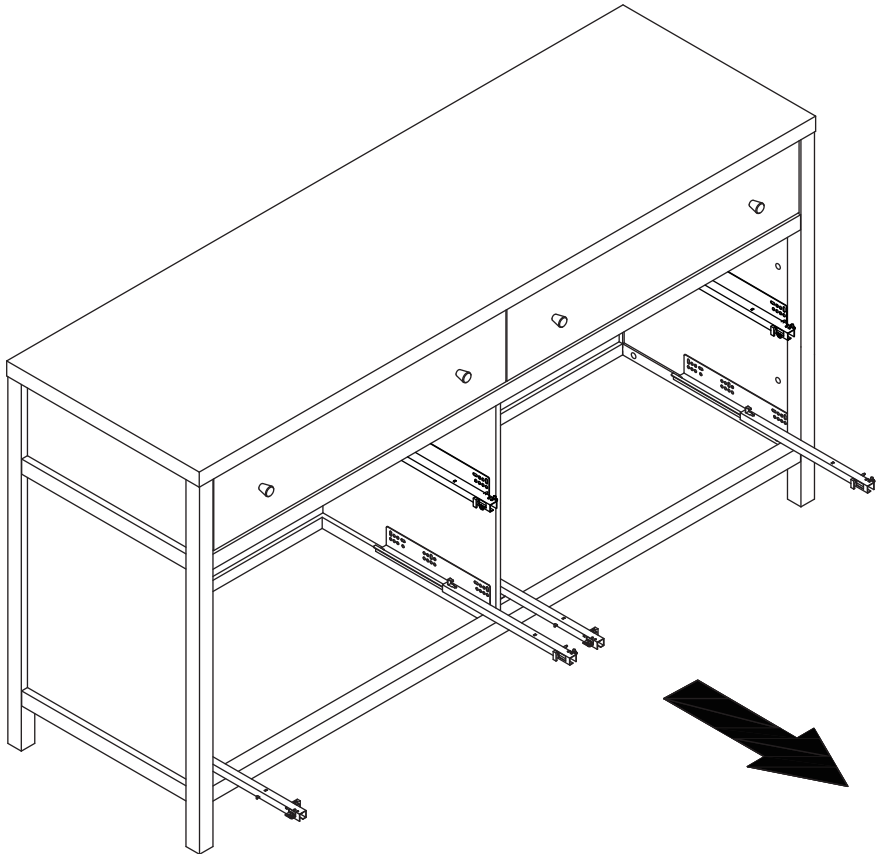
Fasten component (H) to Panel 12 and Panel 13 using screws (J).



26



Pull out the bottom slide rail.

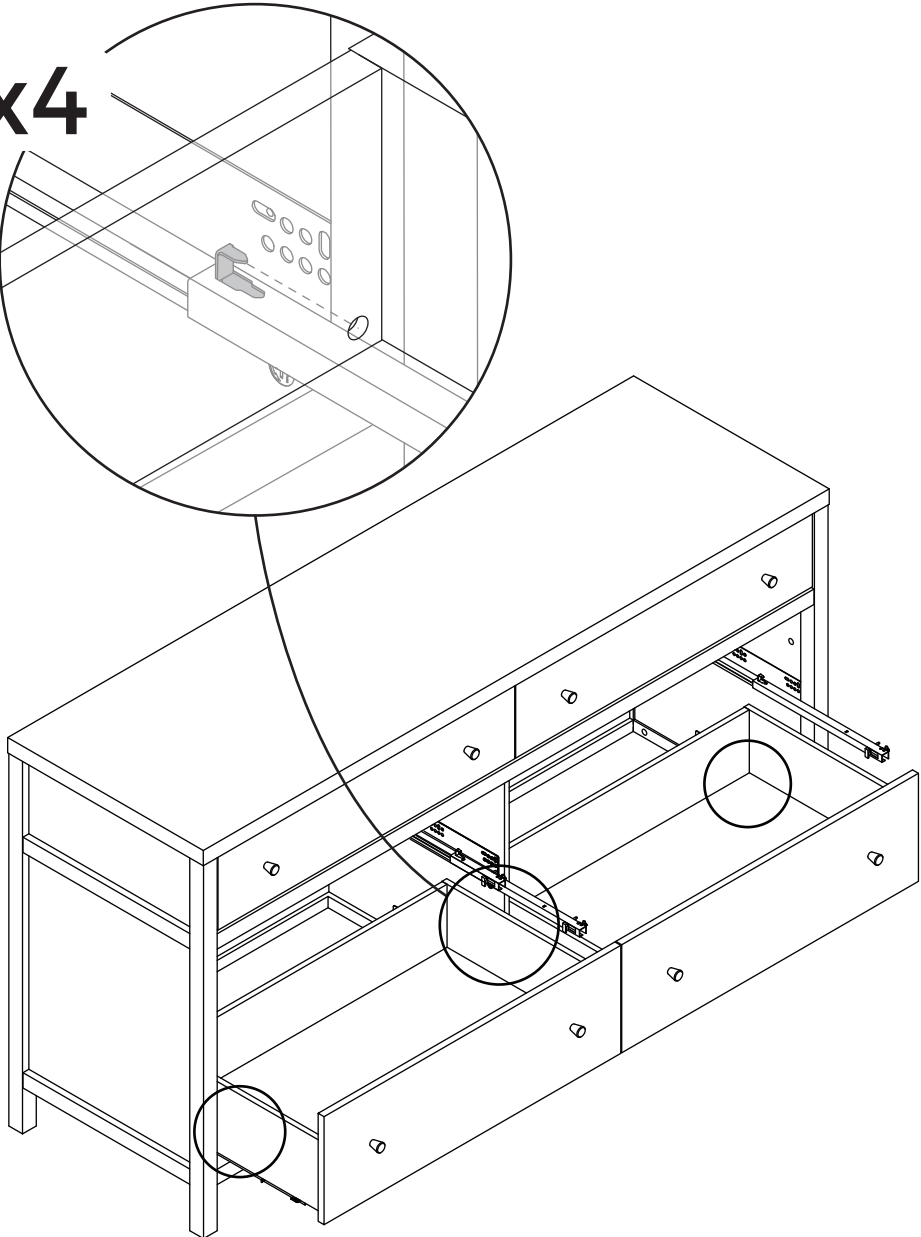


27



Install the drawer by fitting the protrusions at the end of the side rails into the holes at the end of the drawer.

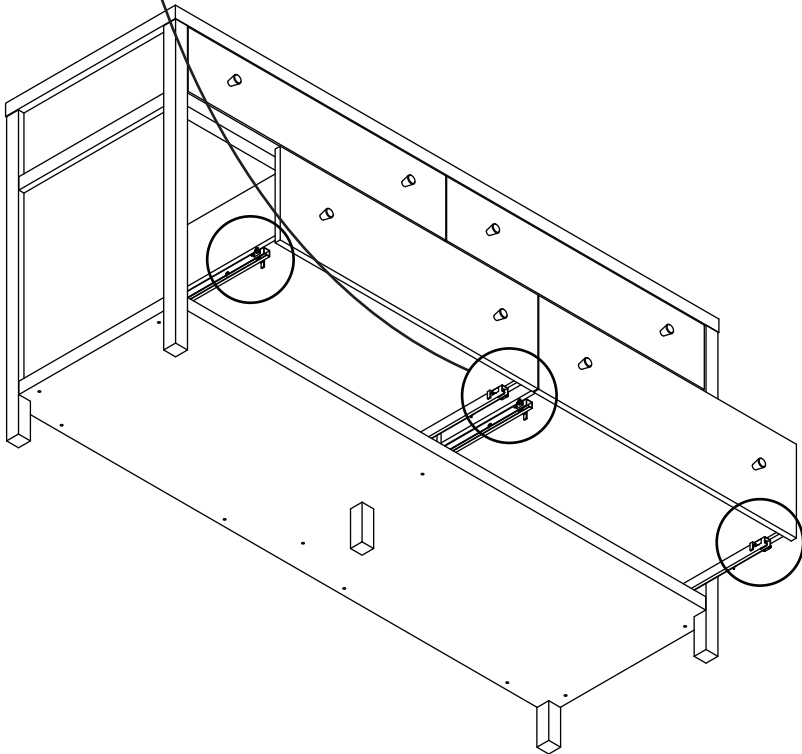
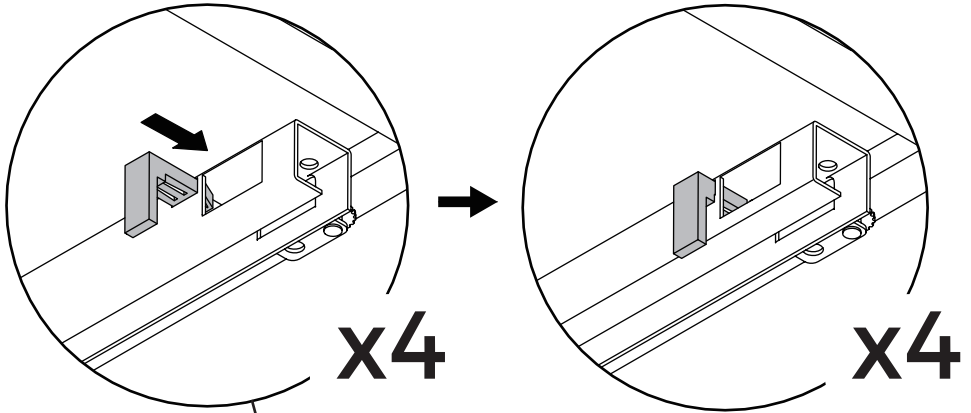
x4



28



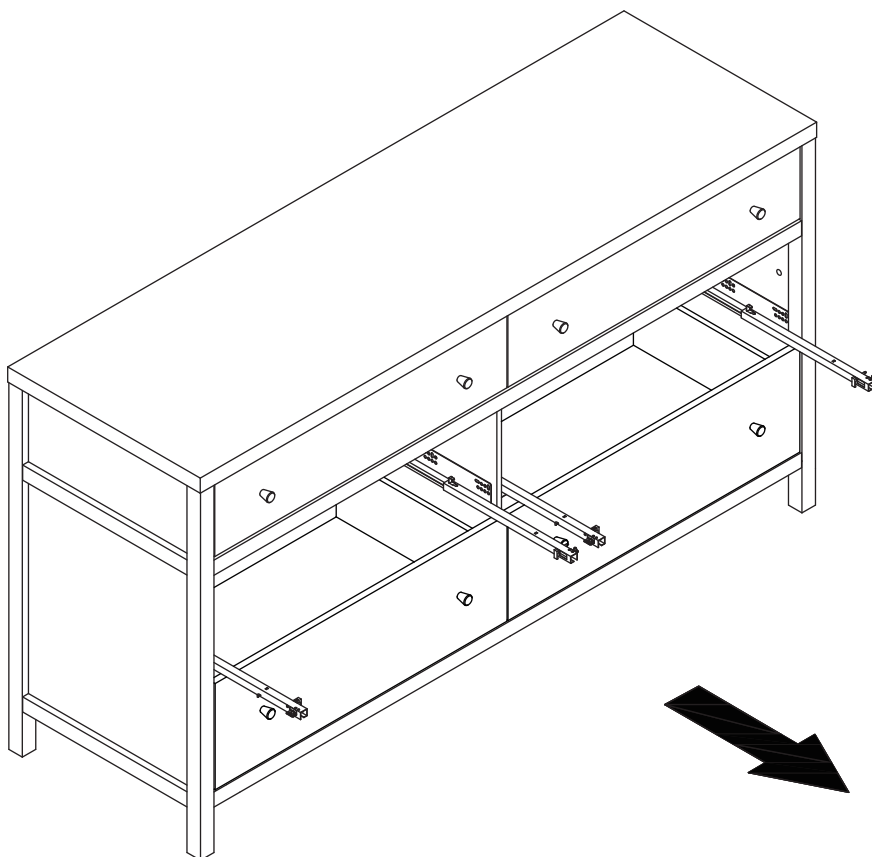
Align with the holes, then lock the slide rail clips in place.



29



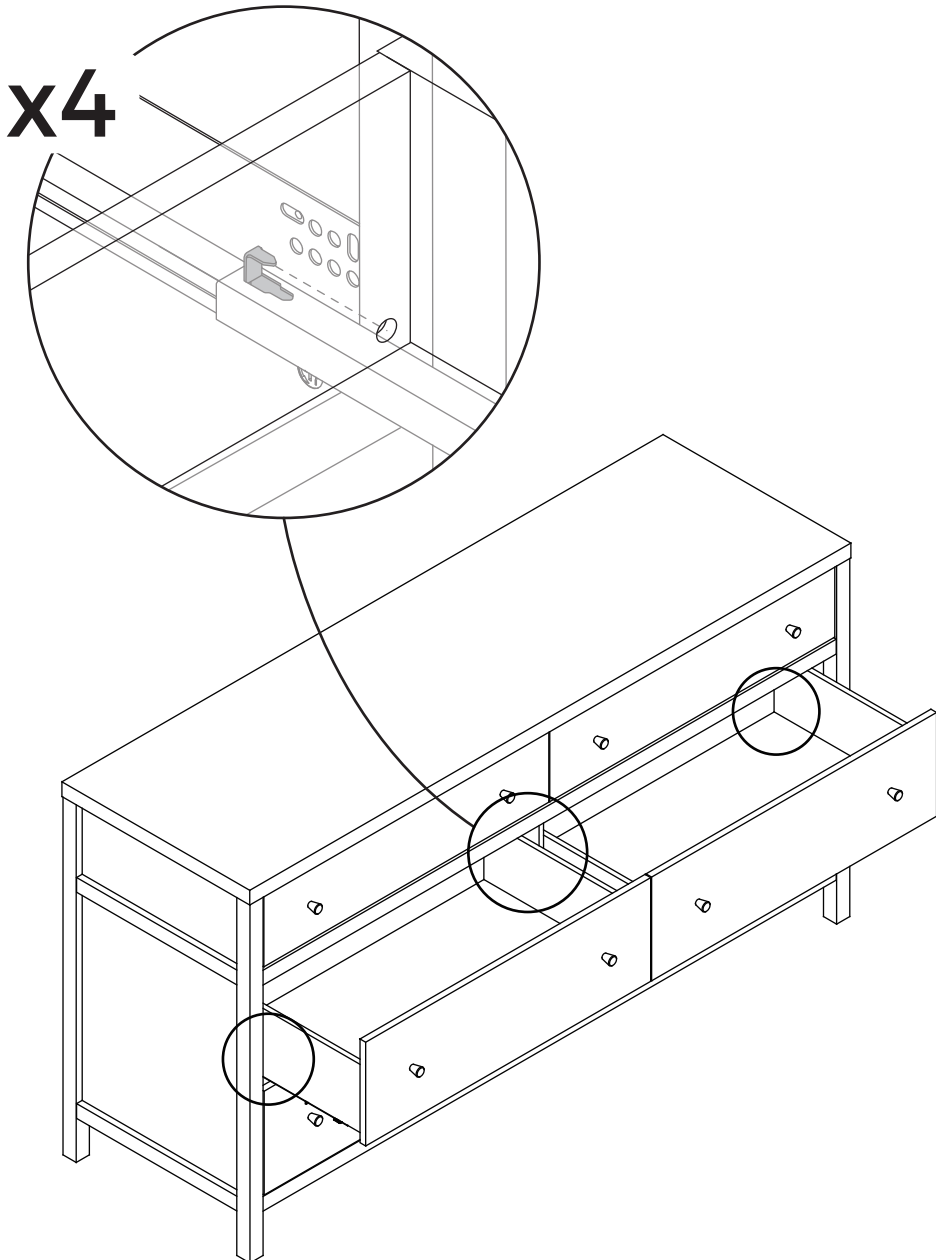
Pull out the top slide rail.



30



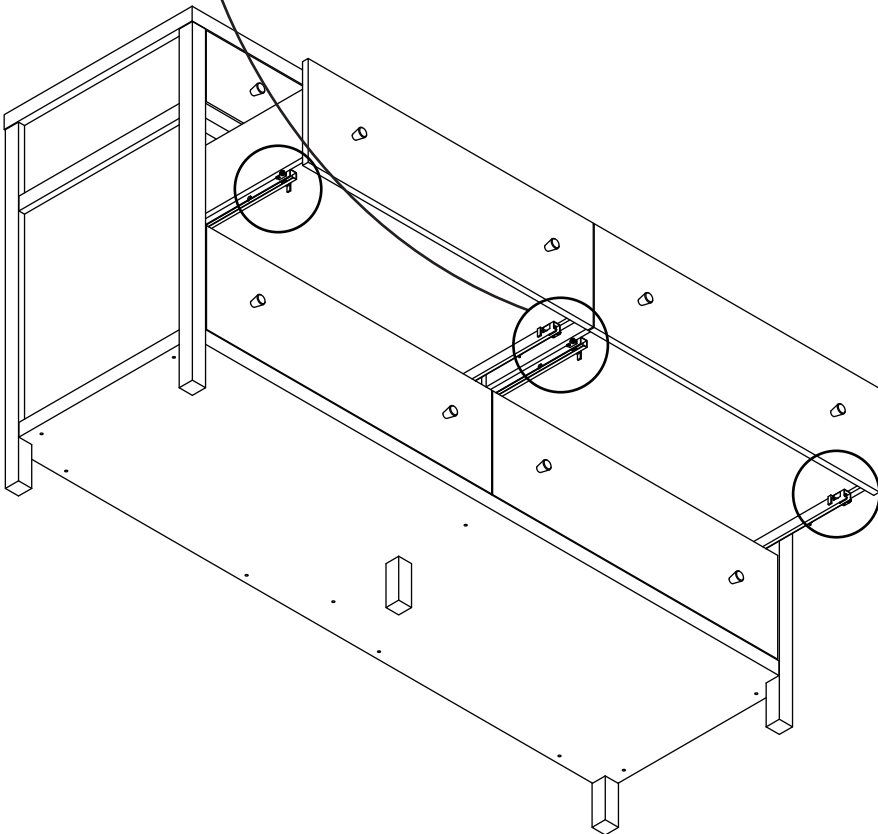
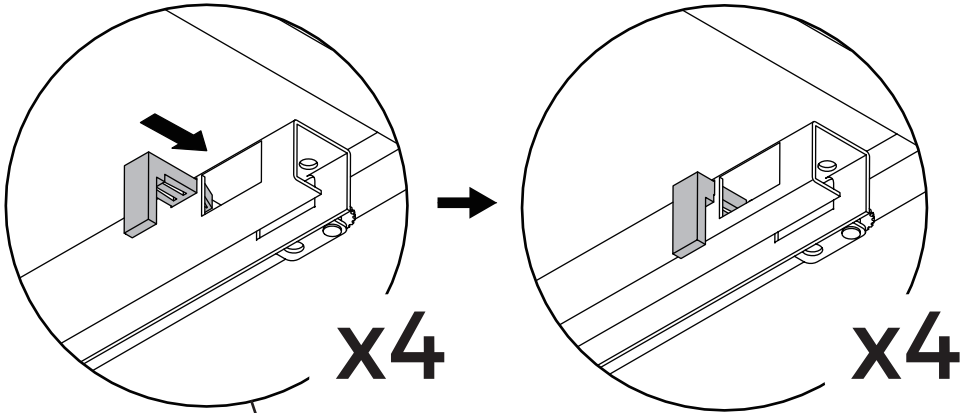
Install the drawer by fitting the protrusions at the end of the side rails into the holes at the end of the drawer.



31



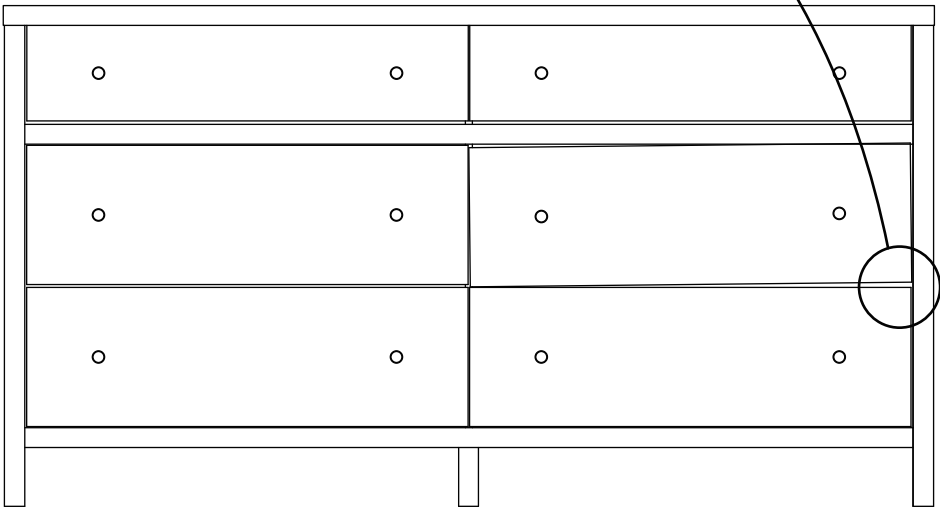
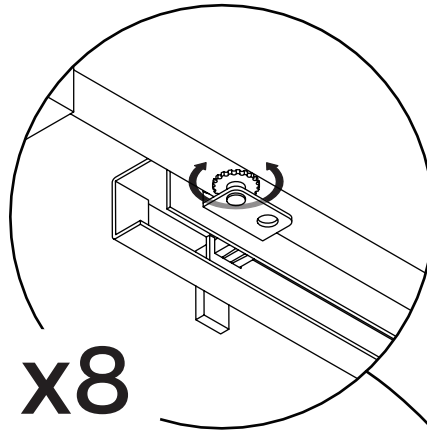
Align with the holes, then lock the slide rail clips in place.

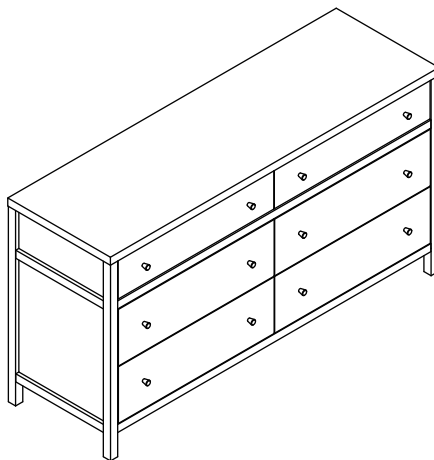


32

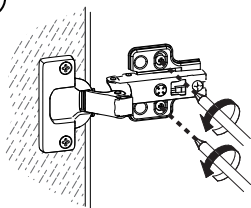


If the gap of the drawer is uneven, you can try adjusting the knobs under the slide rails on both sides.

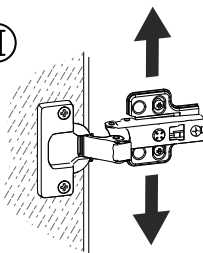




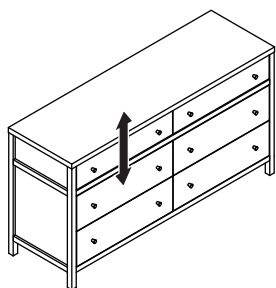
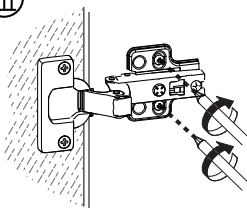
①



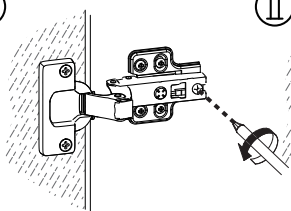
②



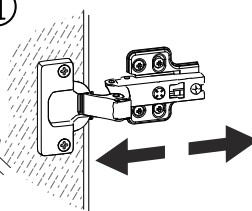
③



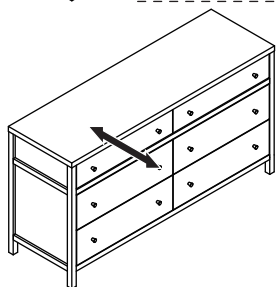
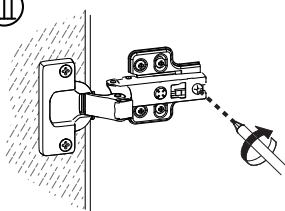
①



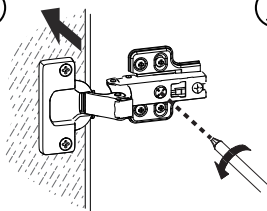
②



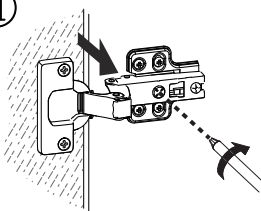
③



①



②



Should you have any problems assembling your product, contact us at customerservice@homsee.com. We're always happy to help! We have carefully selected the materials used in this product, and ask you to treat it responsibly too. Please recycle all packaging according to your local disposal rules.

 **HOMSEE**