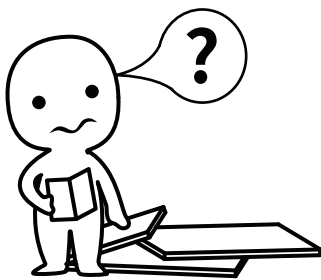


# **INSTALLATION**

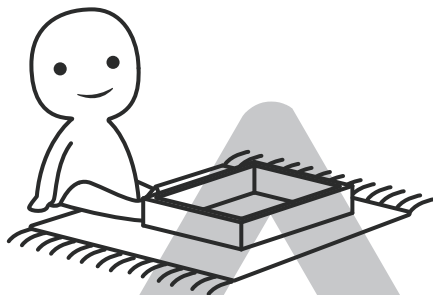
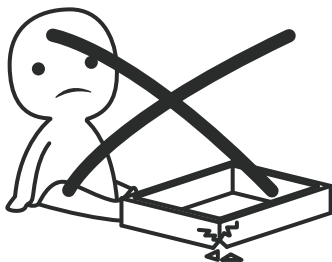
## *Product Manual*

Version: 020550US-01-25A-AA



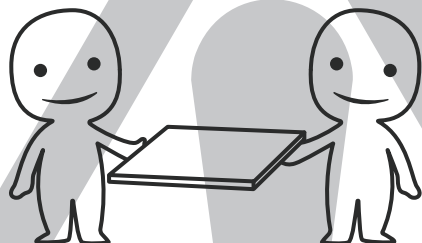
### **IMPORTANT INFORMATION!**

please read the entire manual before starting to assemble and/or using this product. follow the manual thoroughly and keep it for further reference.



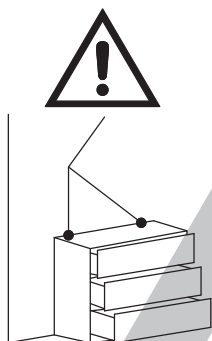
### **AVOID SCRATCHES!**

In order to avoid scratching this furniture should be assembled on a soft layer- could be a rug.



### **IMPROVE EFFICIENCY !**

Try to find a partner to install with you, which can speed up the installation efficiency and shorten the time.



### **ANTI-TOPPLE WARNING !**

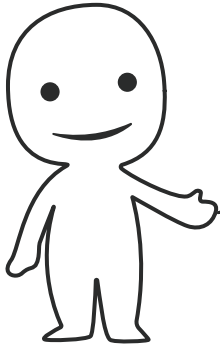
Overturnd furniture can cause serious or fatal crush injuries. To prevent tipping over, be sure to use the wall attachment, if not included with this product. Please purchase the wall attachment that fit your wall. If unsure, seek professional advice. Please read and follow each step of the instructions carefully.

### **IMPORTANT !**

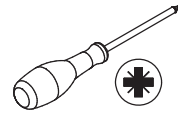
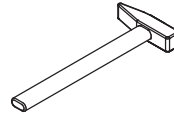
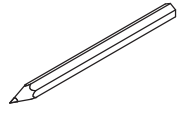
It is important that any product which is assembled using any kind of screw is re-tightened 2 weeks after assembly, and once every 3 months - in order to assure stability through-out the lifespan of the product.

For regular maintenance and cleaning of the product, for the frame, please use a rag dipped in neutral detergent to fully wipe it, and then dry it with a clean rag. For glass materials, wipe with a rag dampened with water glass cleaner, and then dry with a dry rag.

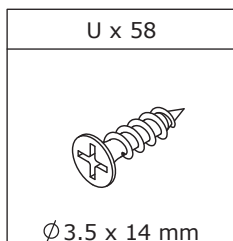
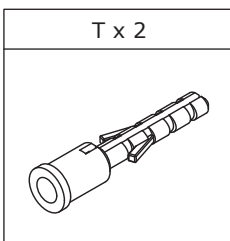
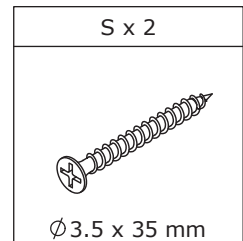
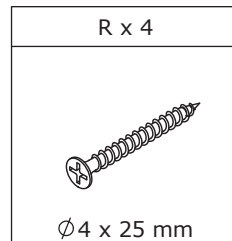
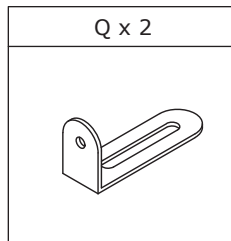
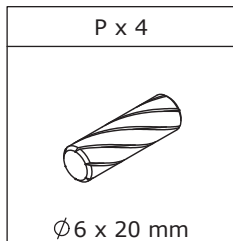
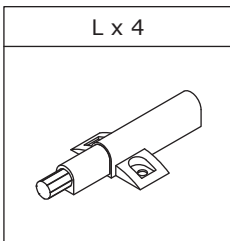
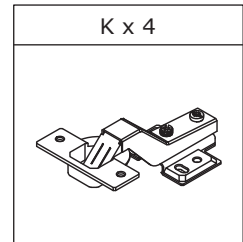
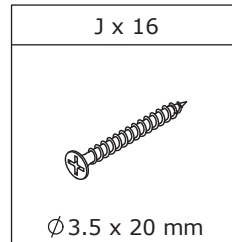
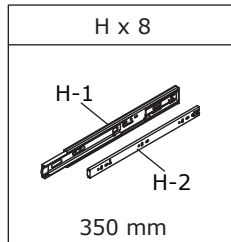
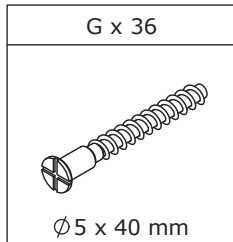
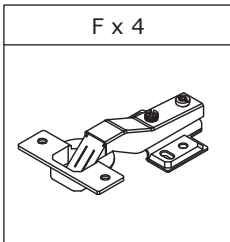
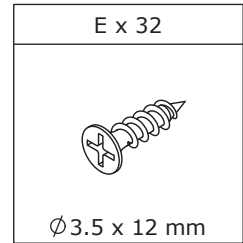
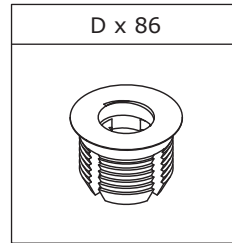
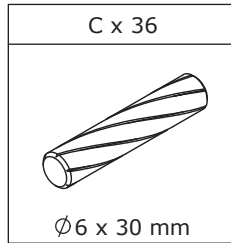
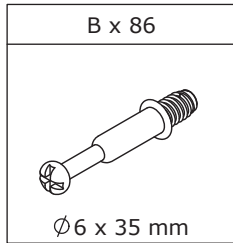
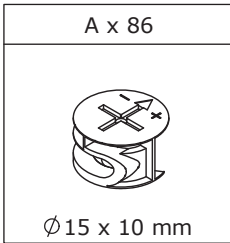
Do not use an electric screwdriver, and do not use too much force when installing, because the board is easy to break.

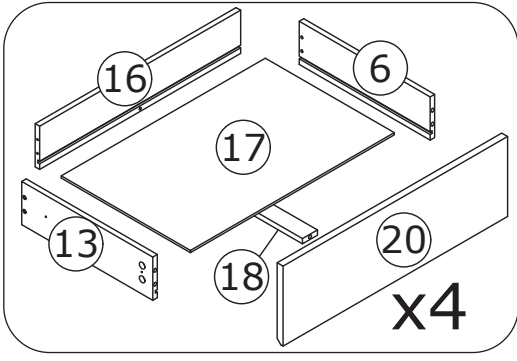
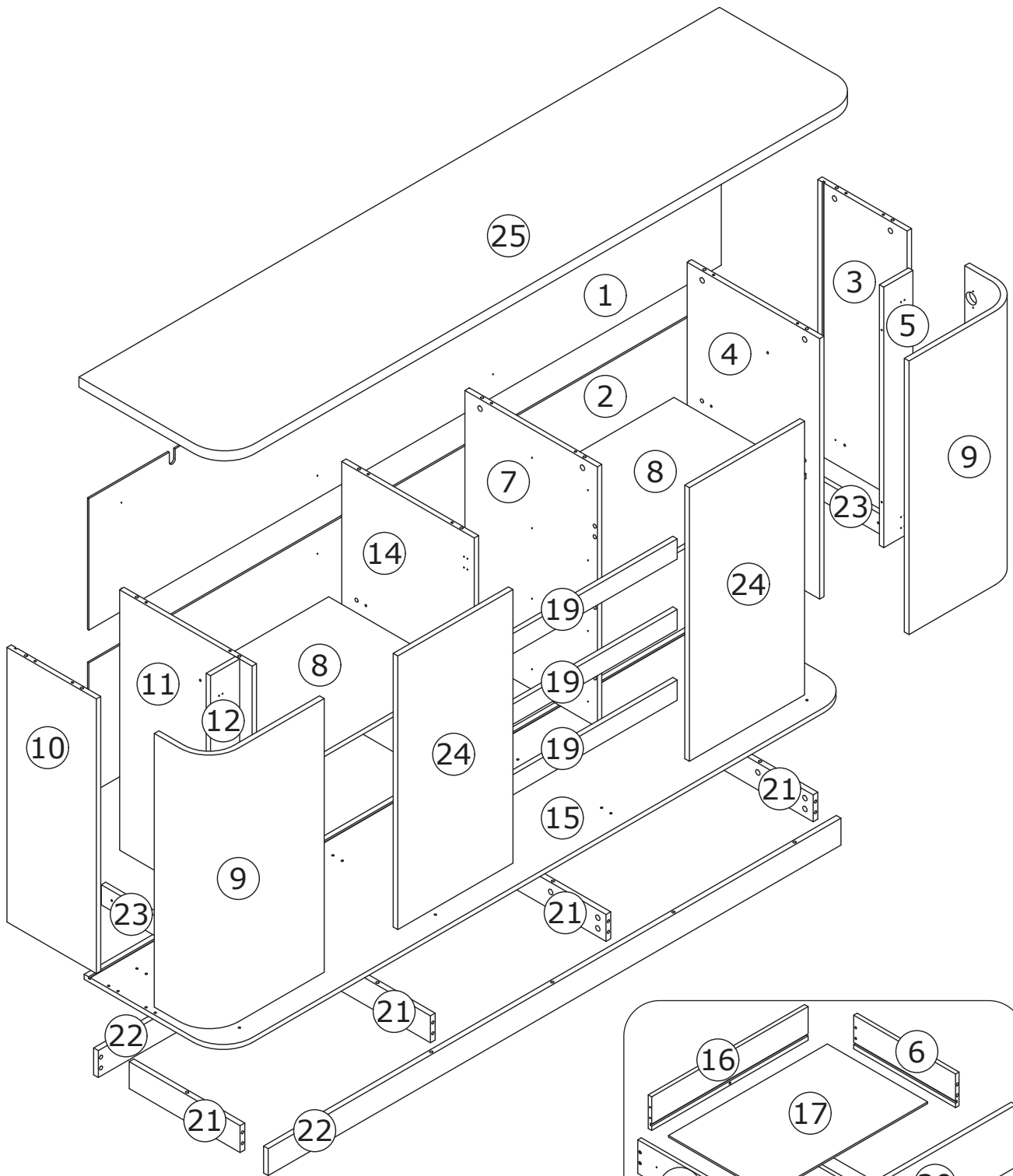


Please prepare the following tools



When installing, please carefully confirm whether each screw corresponds to the manual, accessories with similar shapes can be distinguished by size



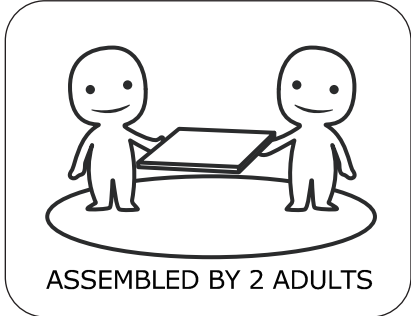


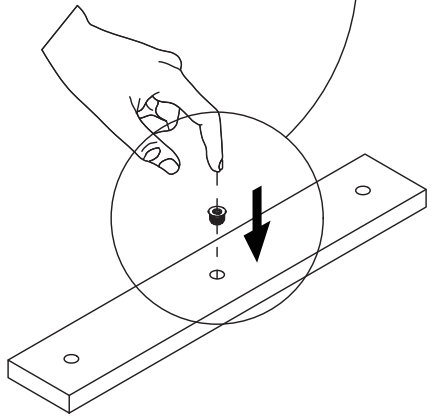
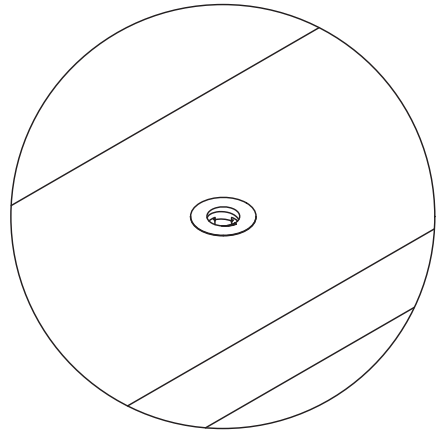
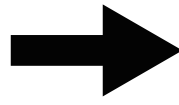
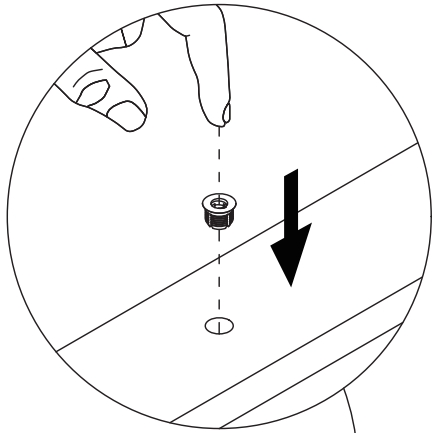
**⚠ WARNING**

**Children have died from furniture tipover. To reduce the risk of furniture tipover:**

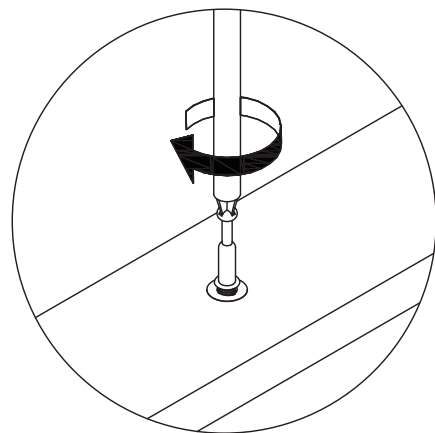
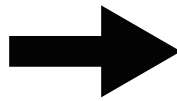
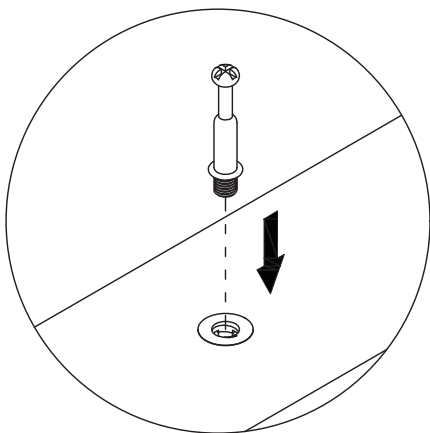
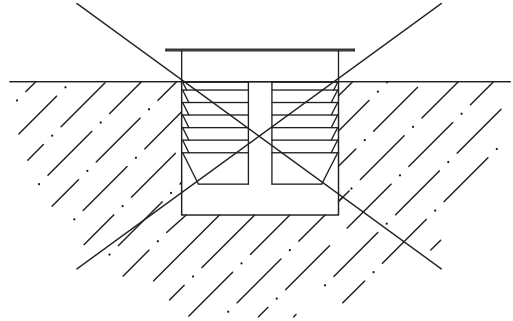
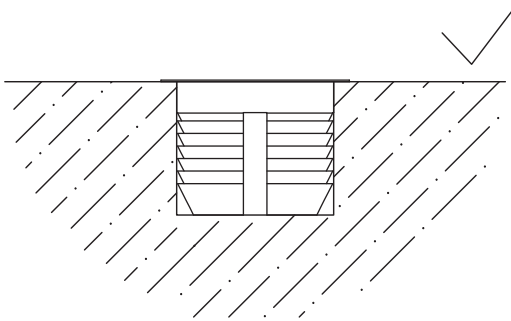
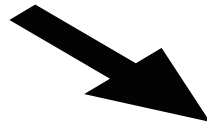
- ALWAYS install Anti-tip device provided.
- NEVER put a TV on this product.
- NEVER allow children to stand, climb or hang on drawers, doors, or shelves.
- NEVER open more than one drawer at a time.
- Place heaviest items in the lowest drawers.

*This is a permanent label. Do not remove!*





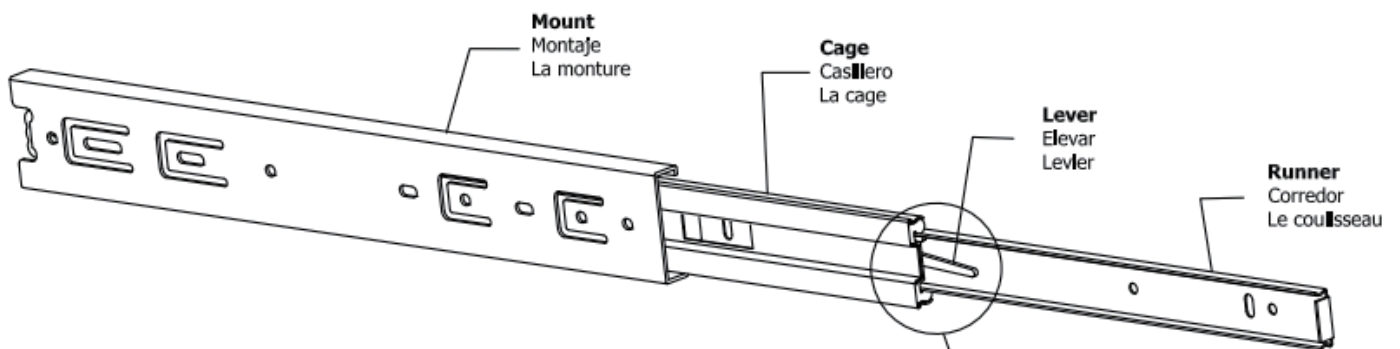
OR



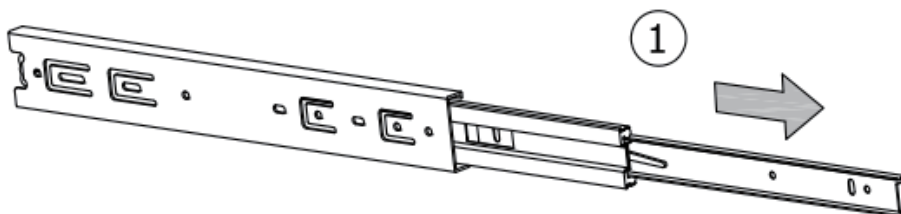
**Slides Must Be Separated Before Assembly.  
After Separated, Set Aside Until Needed for Assembly.**

Las diapositivas deben separarse antes del montaje.  
Después de la separación, déjelo a un lado hasta que sea necesario.

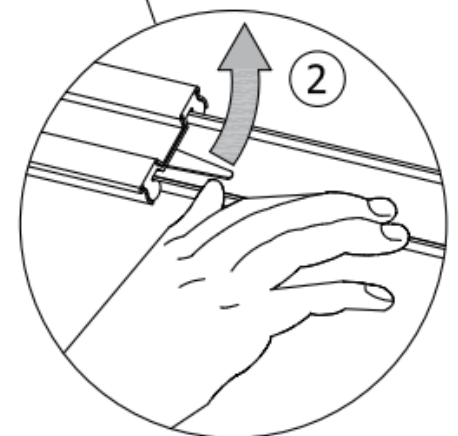
Les glissières doivent être séparées avant l'assemblage.  
Après la séparation, mettez de côté jusqu'au moment de l'assemblage.



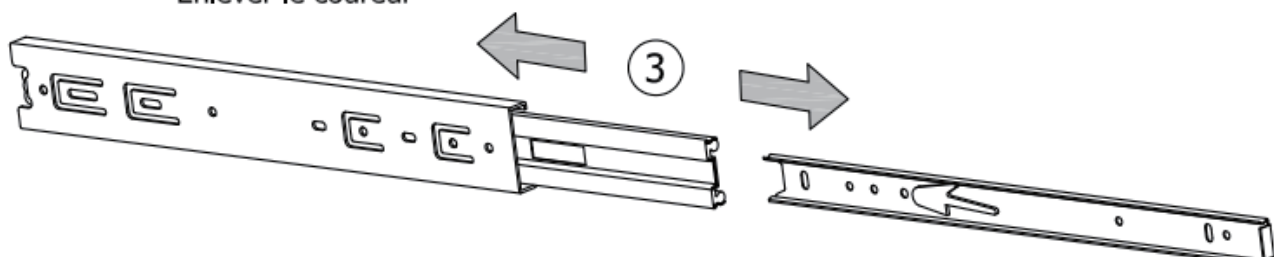
**STEP 1: Extend Slide**  
Extender la diapositiva  
Extendre la diapositive

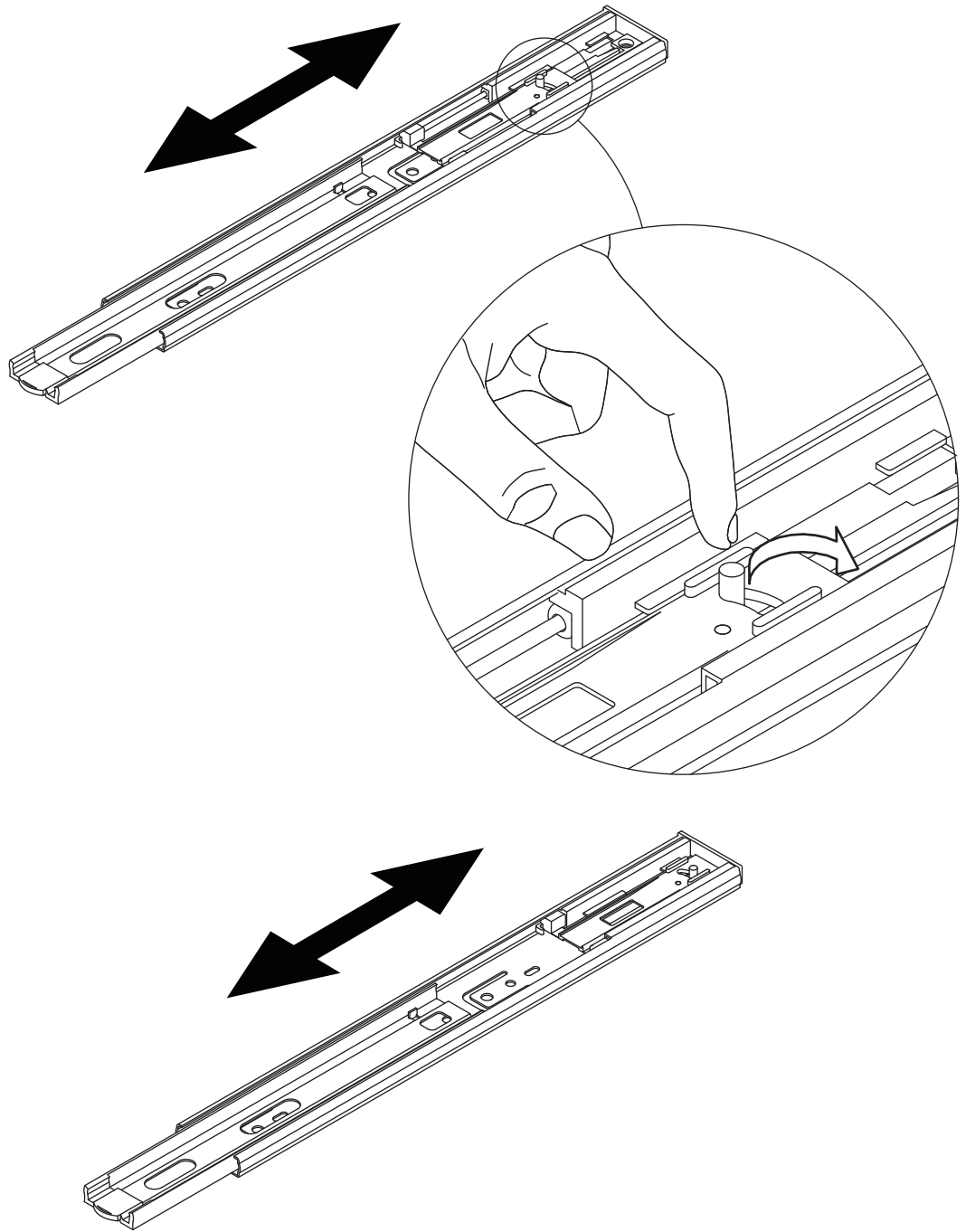


**STEP 2: Push Lever UP**  
Empujar hacia arriba  
Lever le levier



**STEP 3: Remove Runner**  
Quitar el corredor  
Enlever le coureur






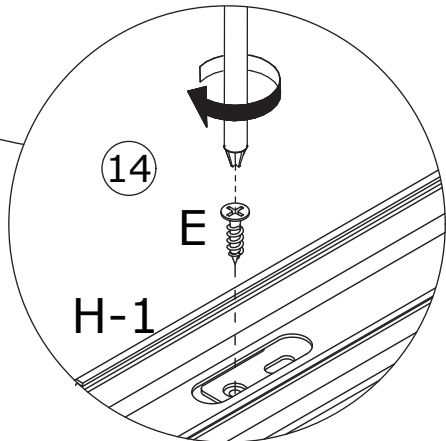
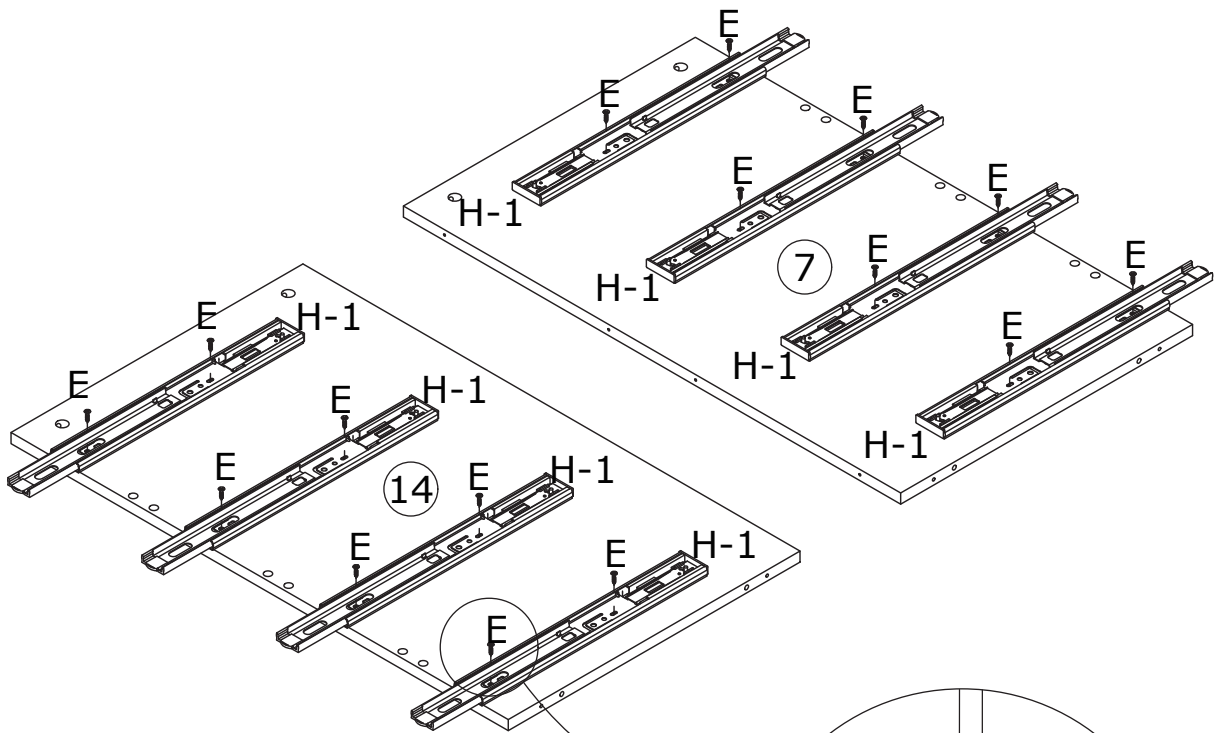
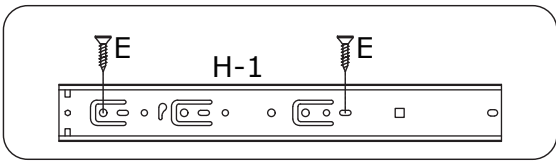


1

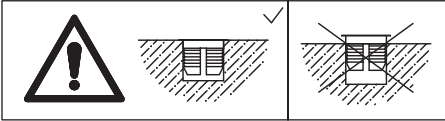
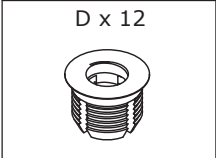
E x 16  Ø 3.5 x 12 mm	H x 8 H-1  350 mm	 
--	---	--

As shown, use screws (E) to fix slide rail (H-1) to panel 7 and panel 14.

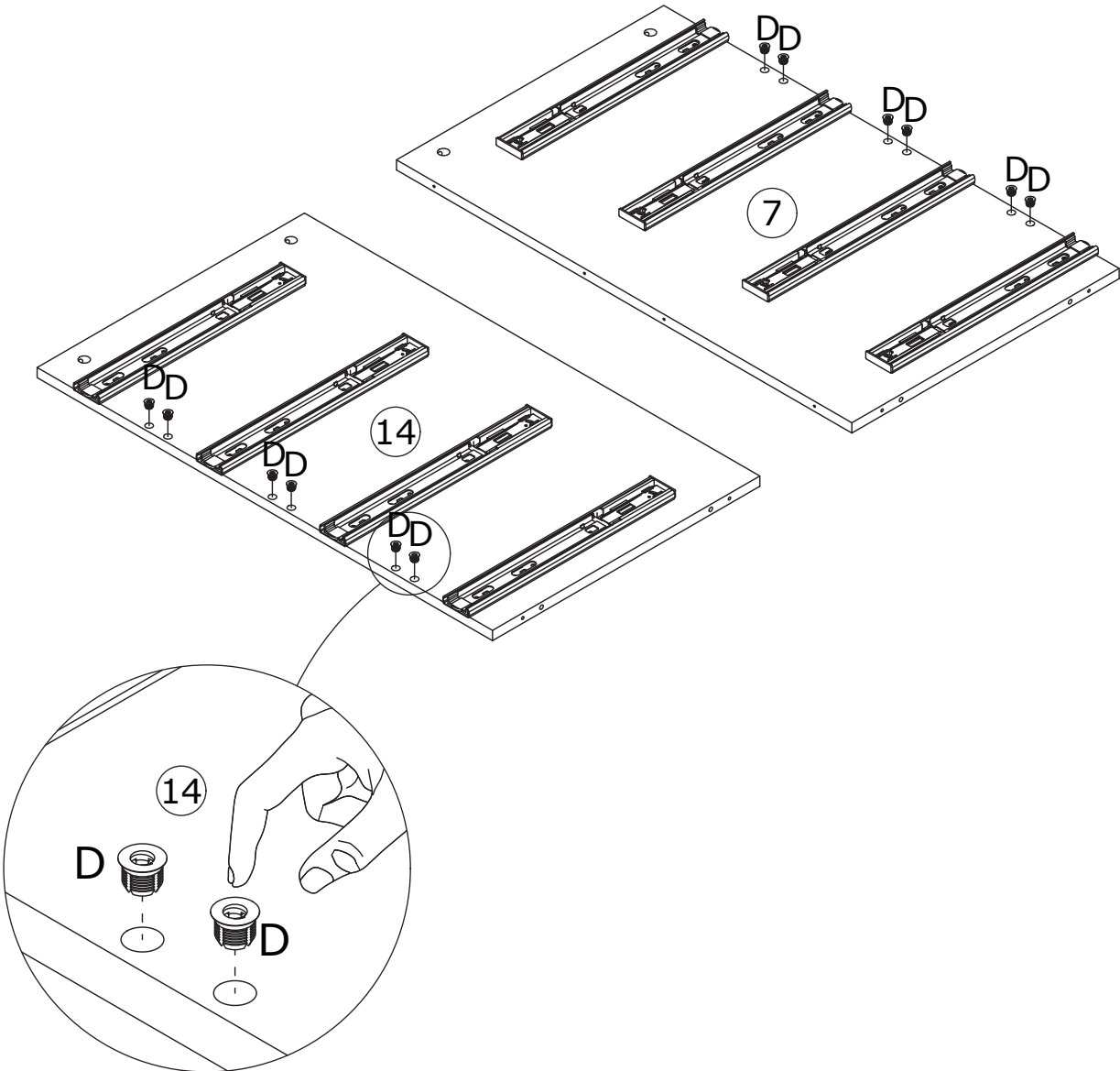
	E  Ø 3.5 x 12 mm	U  Ø 3.5 x 14 mm
---	---	---



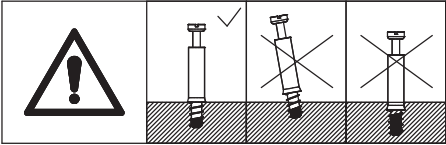
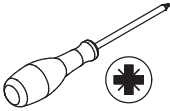
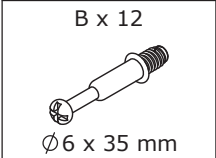
2



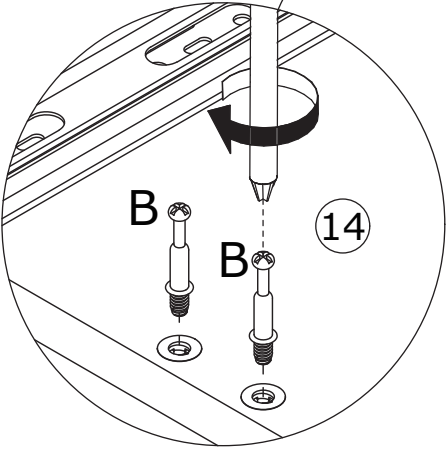
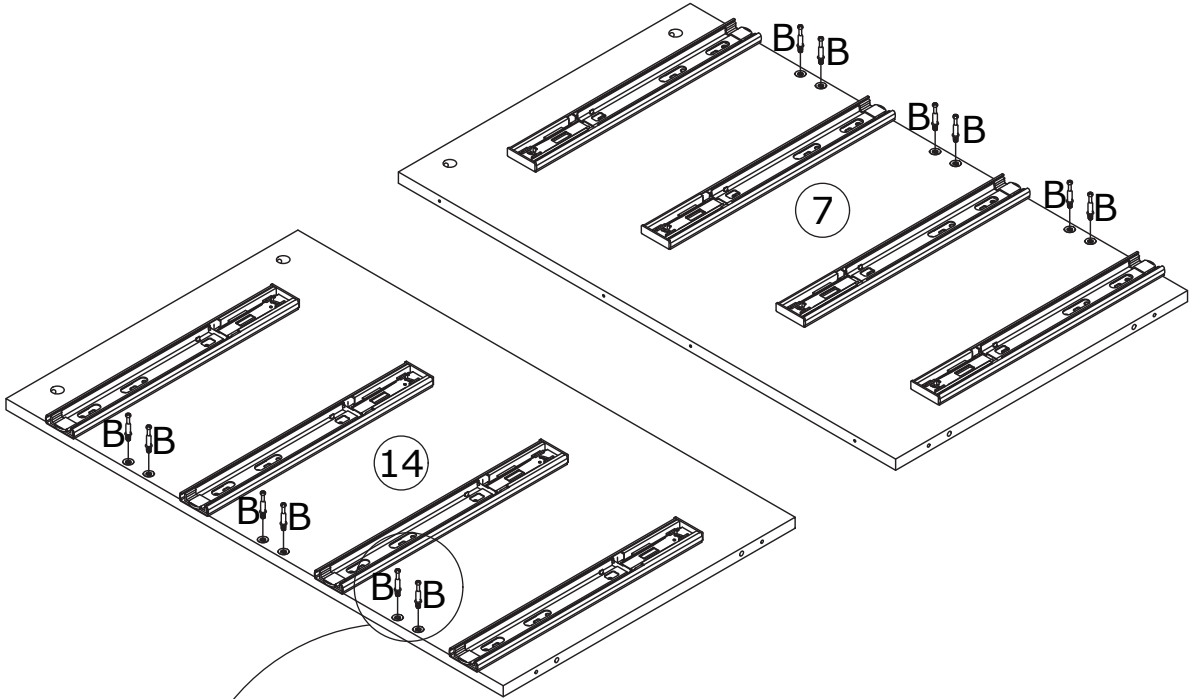
As shown, add component (D) to panel 7 and panel 14.



3

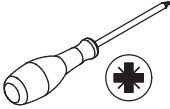


As shown, screw the self-tapping bolt (B) into panel 7 and panel 14.

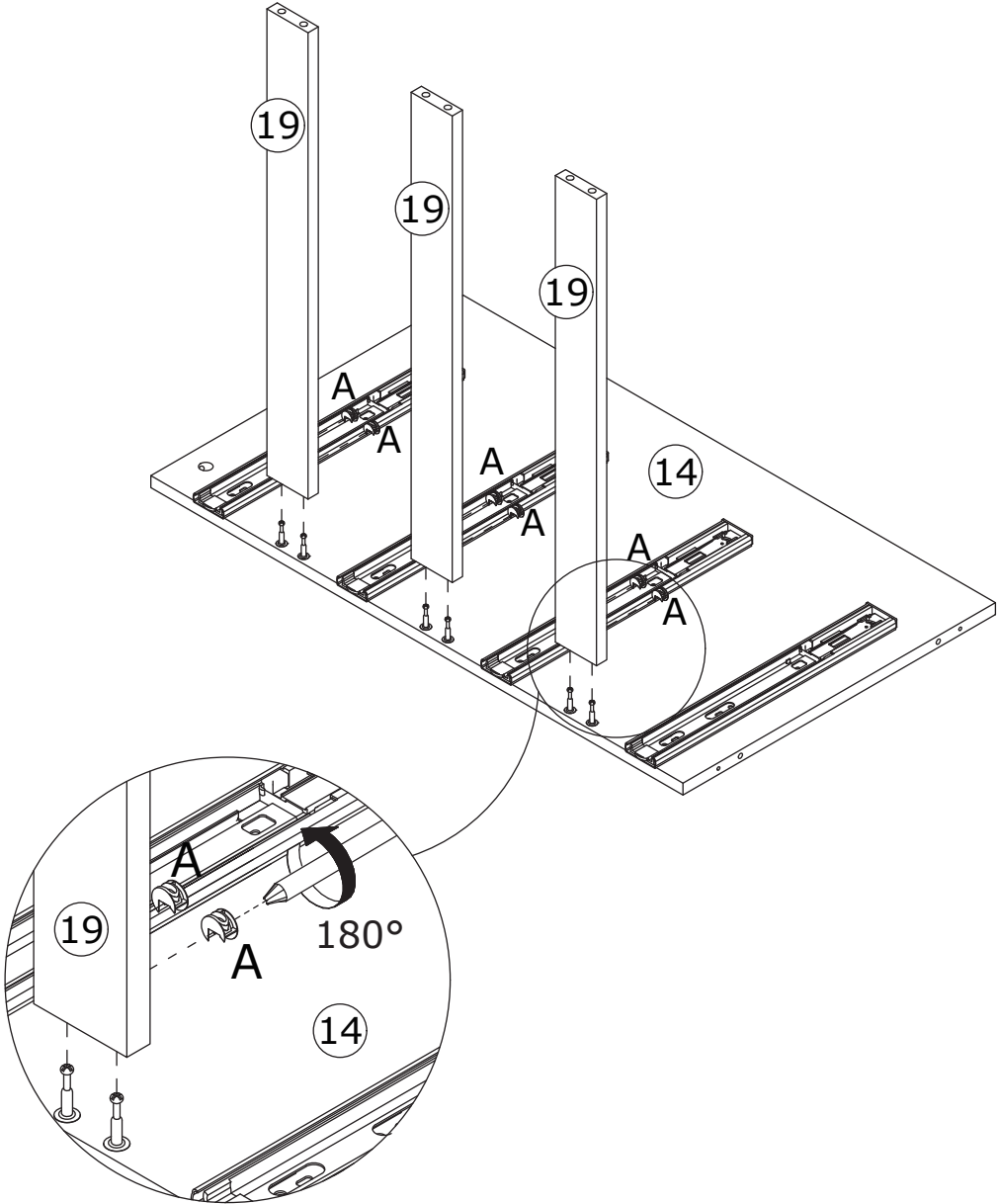
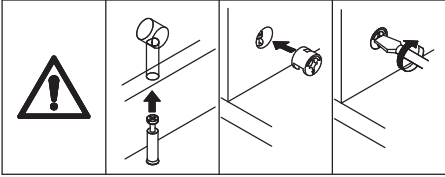


4

A x 6  
Ø15 x 10 mm

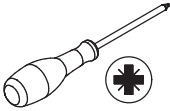


As shown, connect panel 19 to panel 14,  
and add cam lock (A) tightening by  
rotating clockwise.

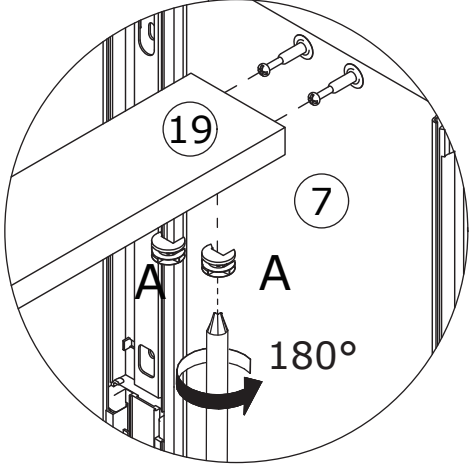
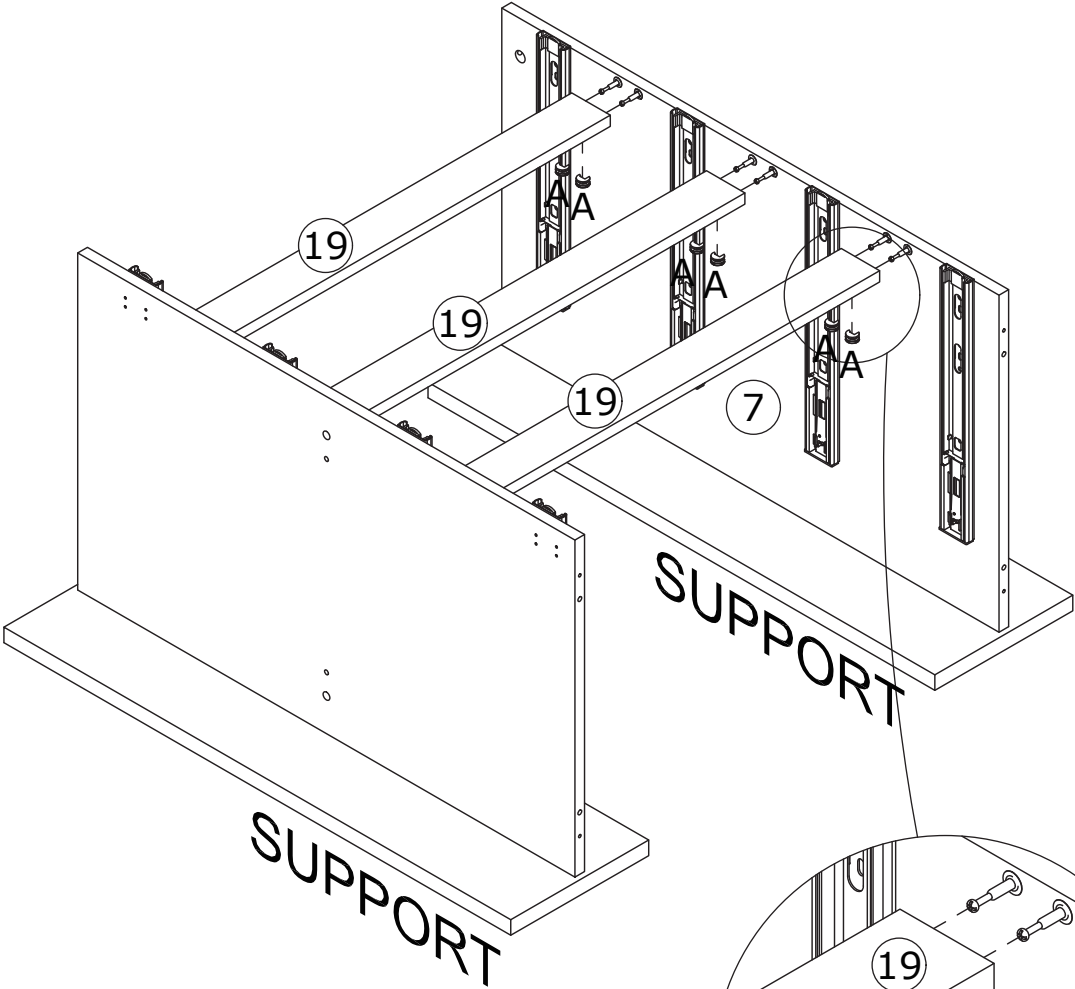
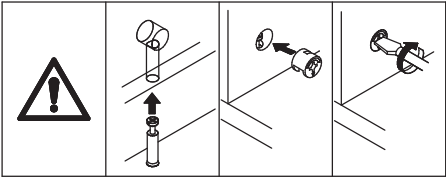


5

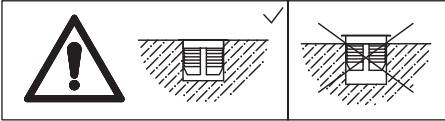
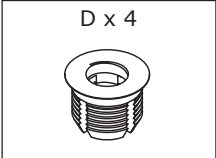
A x 6  
Ø 15 x 10 mm



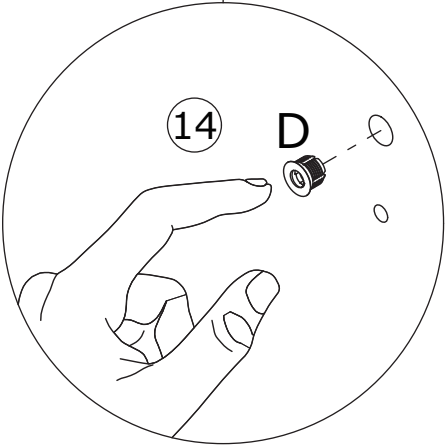
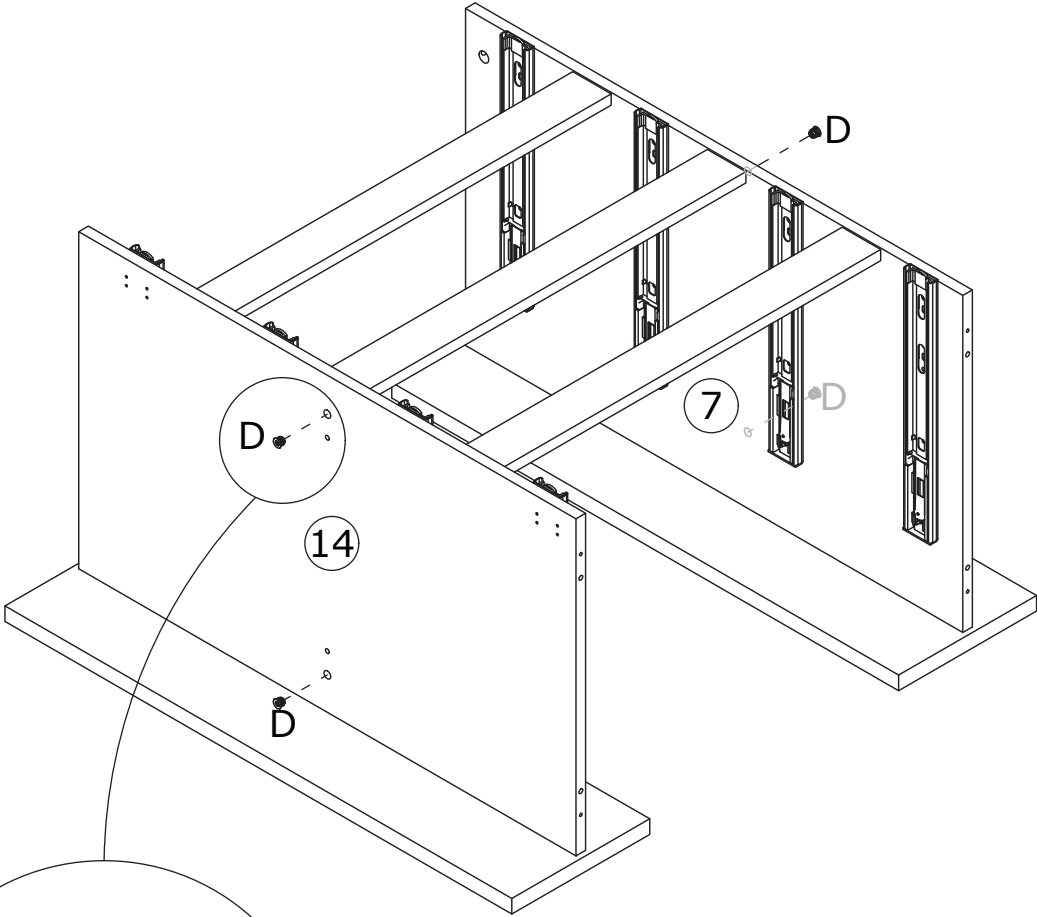
As shown, connect panel 7 to the assembly unit, and add cam lock (A) tightening by rotating clockwise.



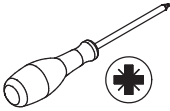
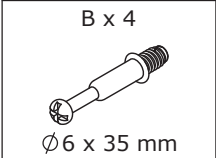
6



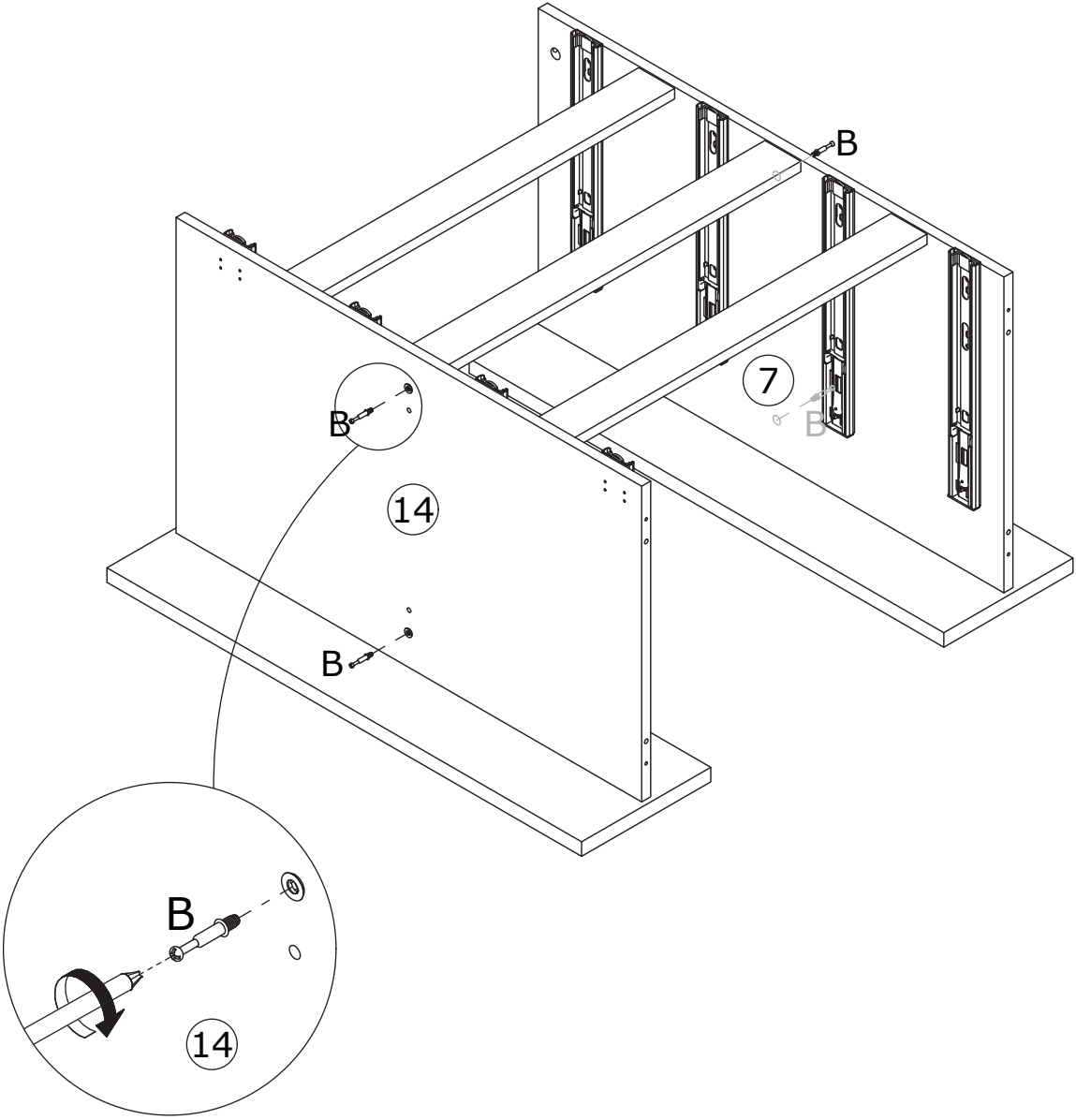
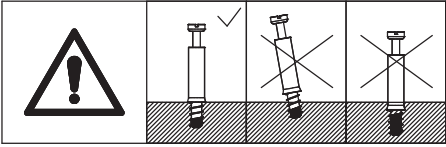
As shown, add component (D) to panel 7 and panel 14.



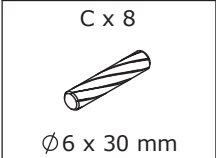
7



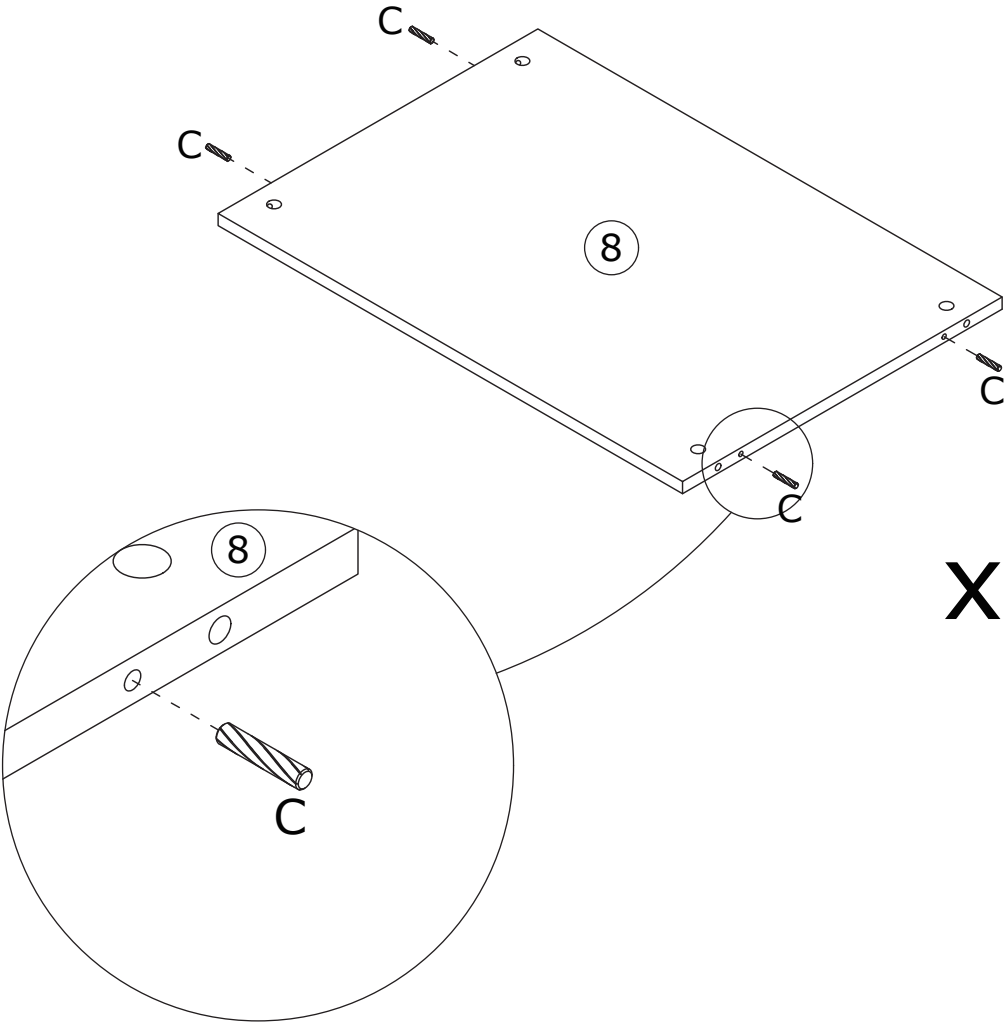
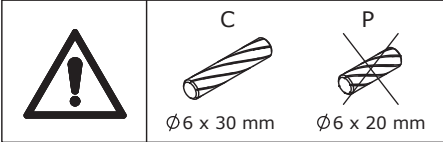
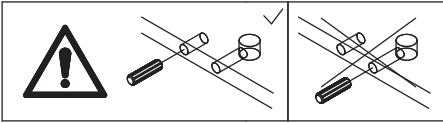
As shown, screw the self-tapping bolt (B) into panel 7 and panel 14.



8



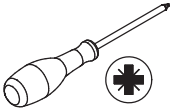
As shown, insert dowels (C) into panel 8.



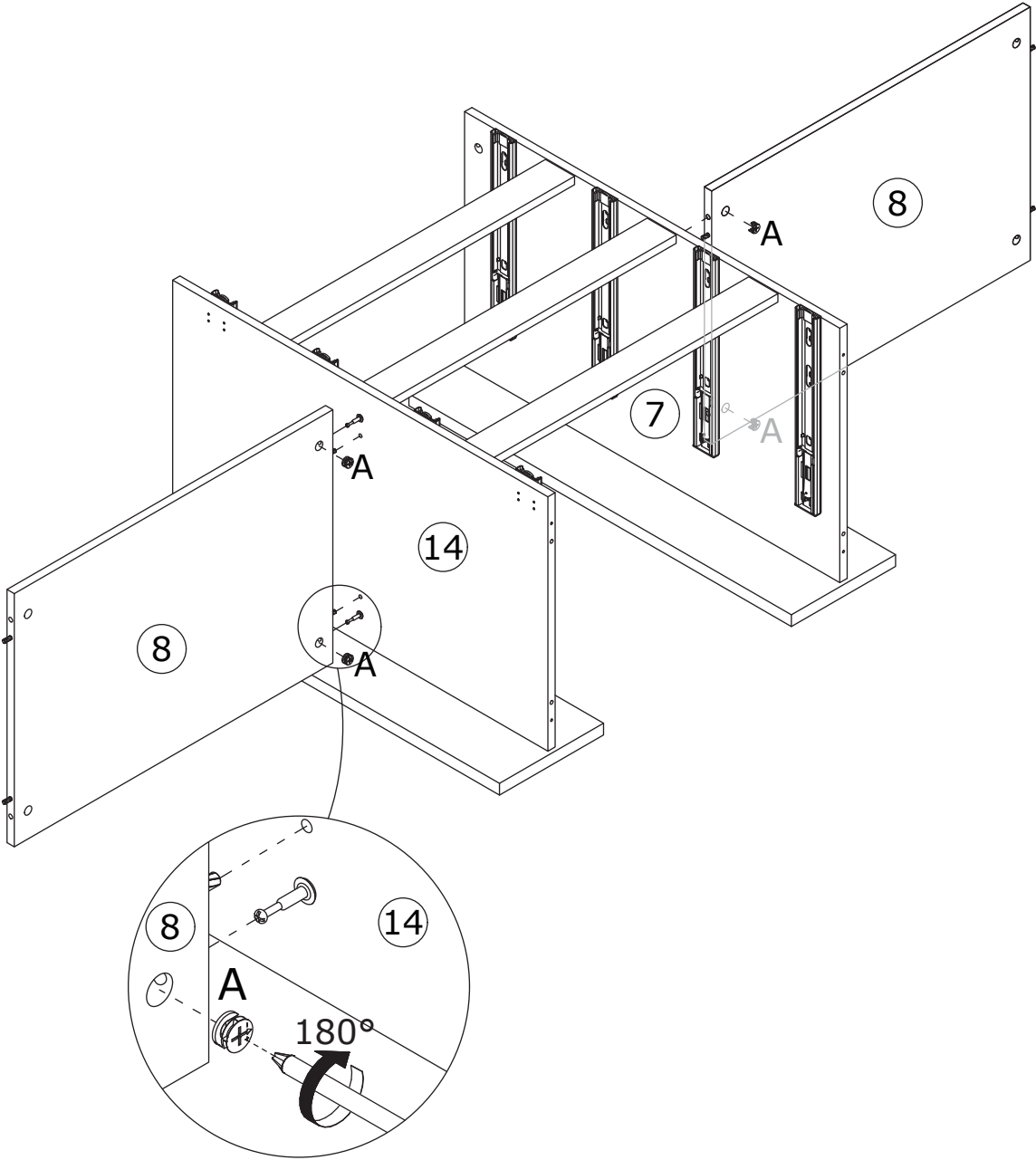
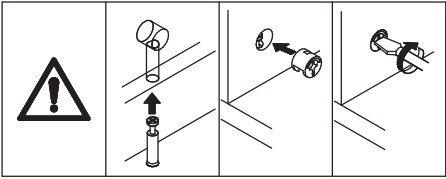
x2

9

A x 4  
Ø15 x 10 mm

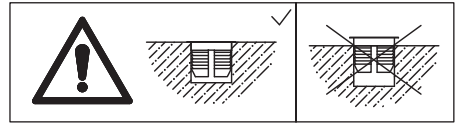


As shown, connect panel 8 to the assembly unit, and add cam lock (A) tightening by rotating clockwise.

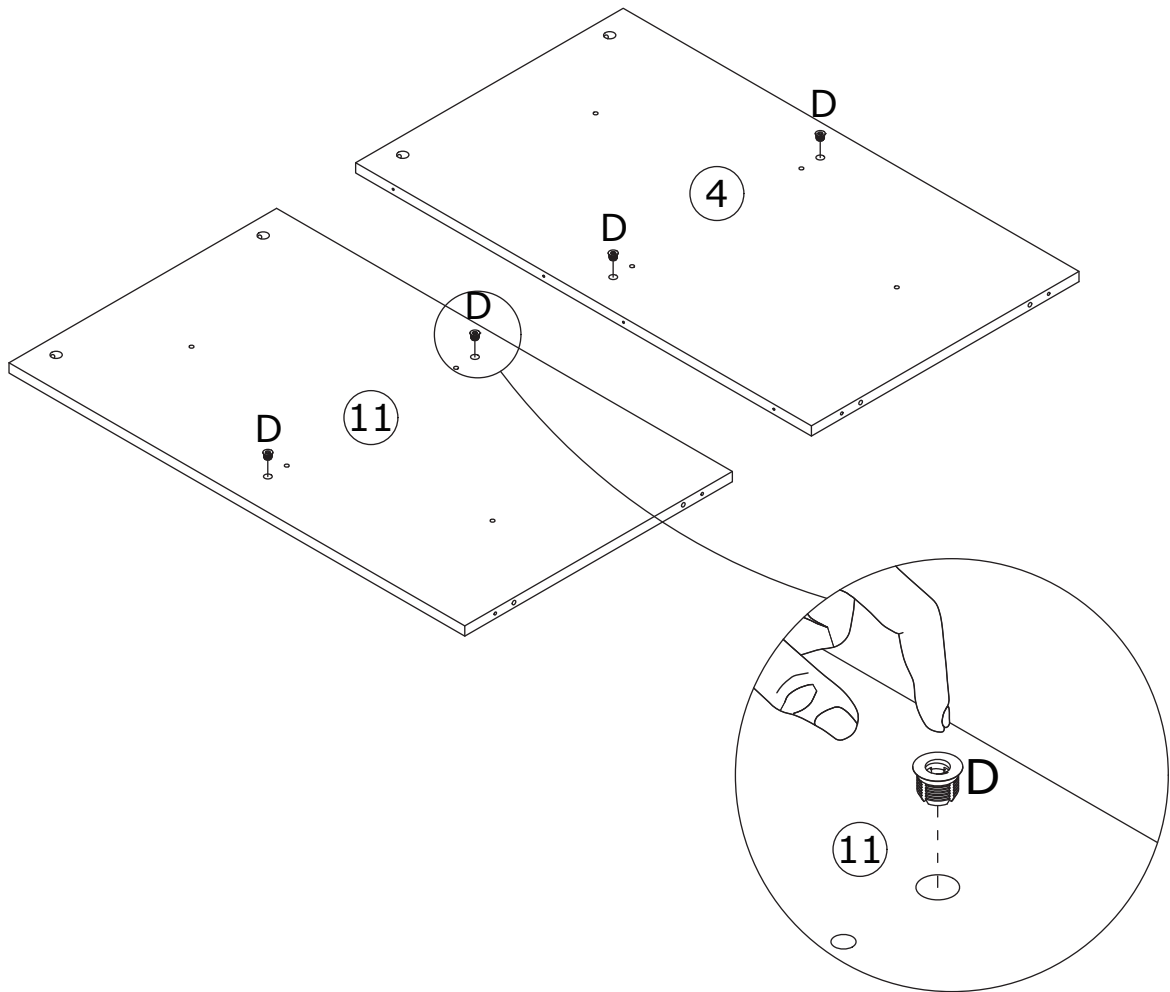


10

D x 4

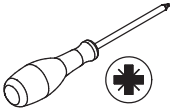


As shown, add component (D) to panel 4 and panel 11.

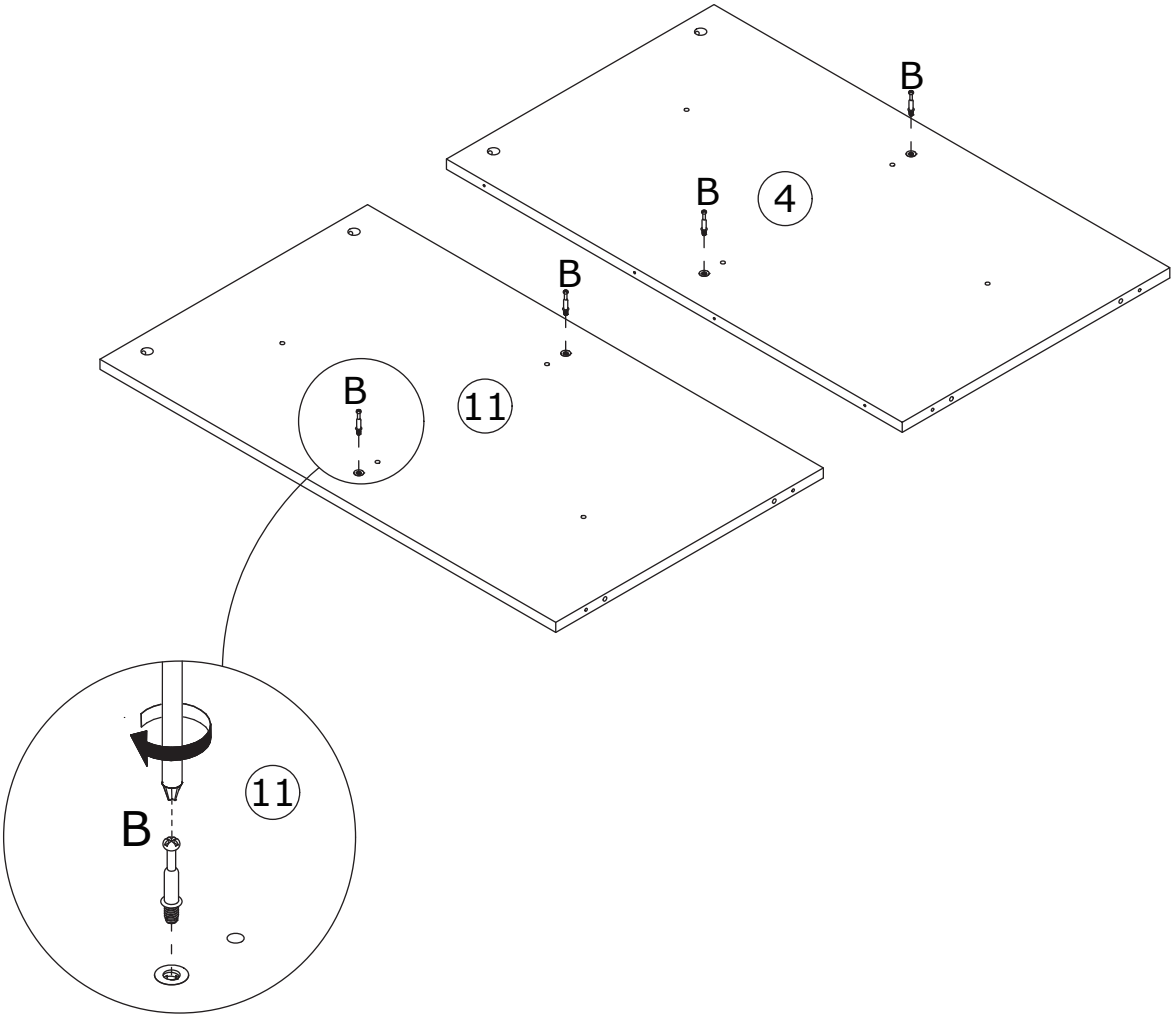
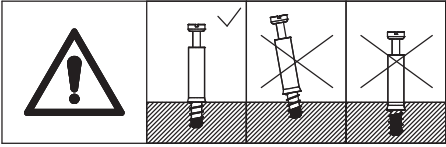


11

B x 4  
Ø6 x 35 mm

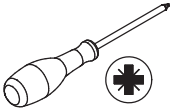


As shown, screw the self-tapping bolt (B) into panel 4 and panel 11.

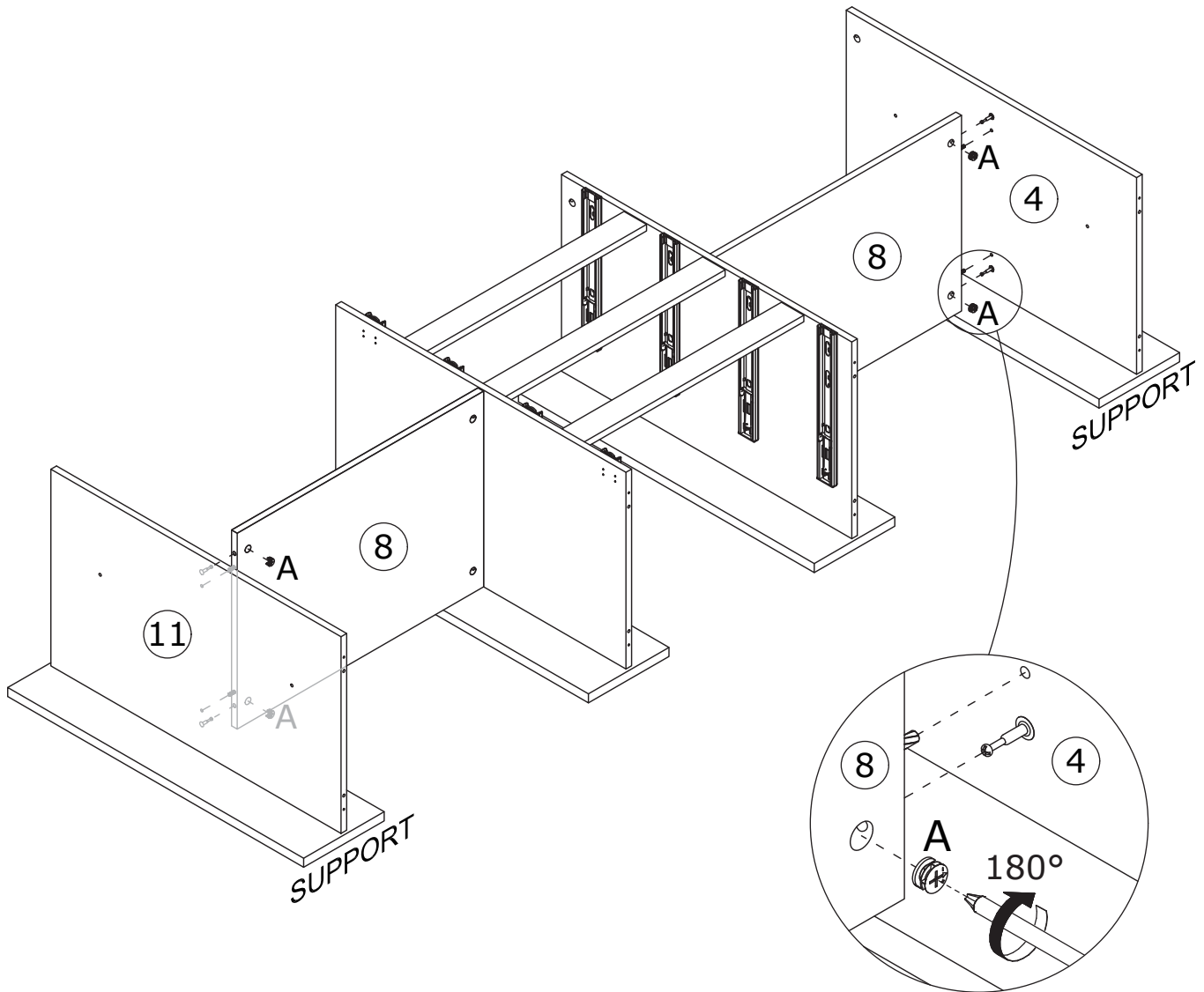
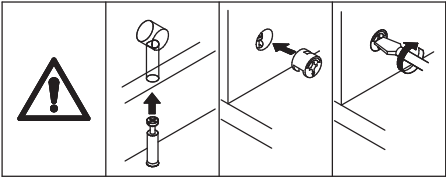


12

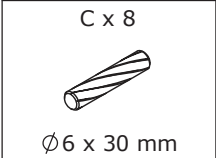
A x 4  
Ø15 x 10 mm



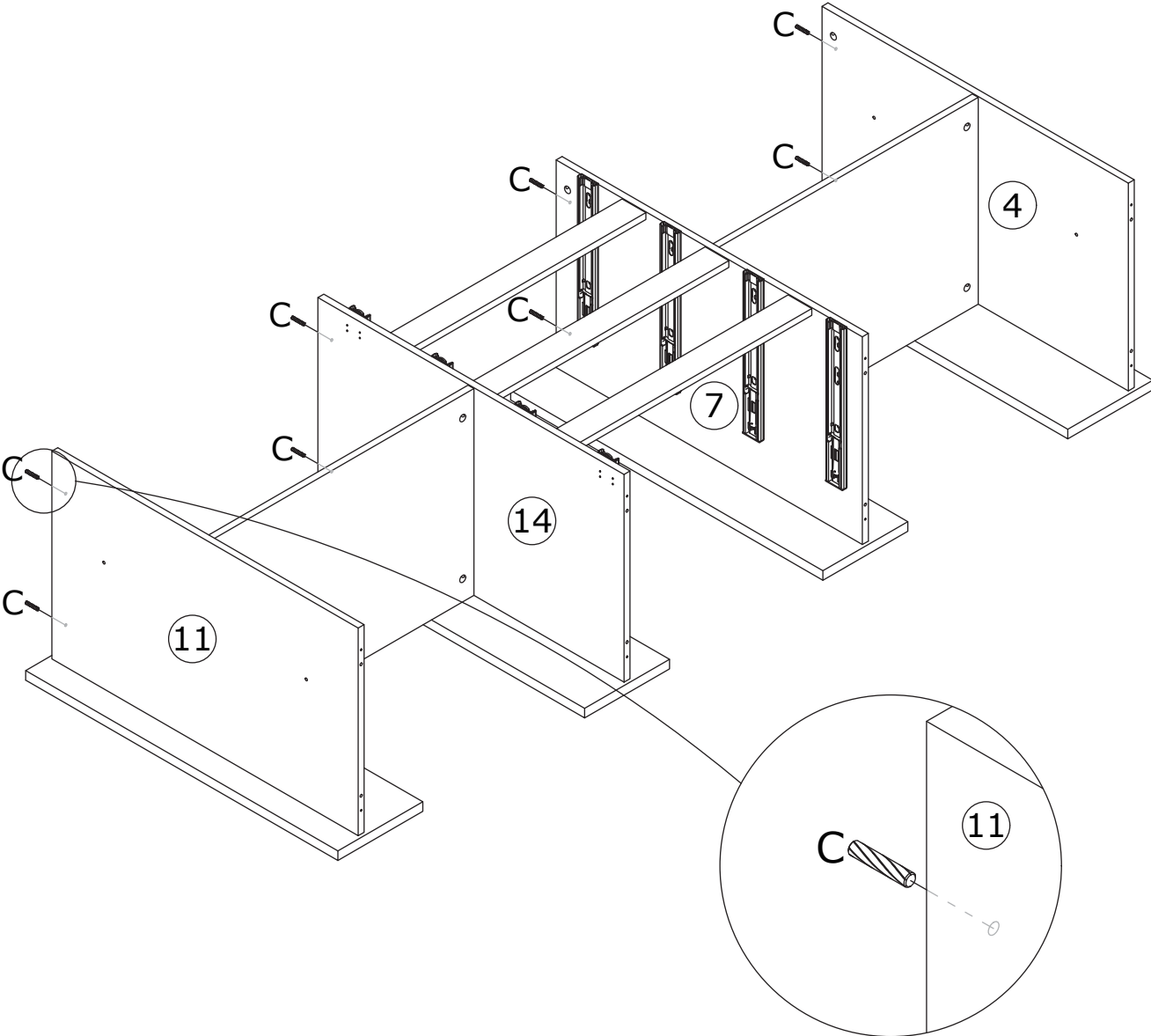
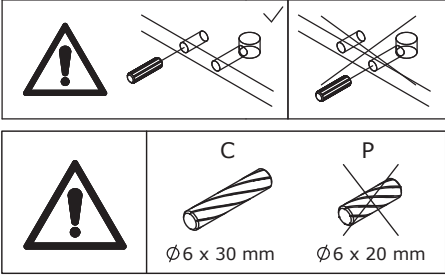
As shown, connect panel 4 and panel 11 to the assembly unit, and add cam lock (A) tightening by rotating clockwise.



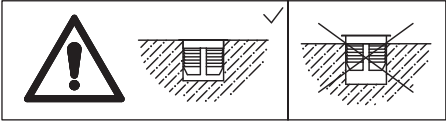
13



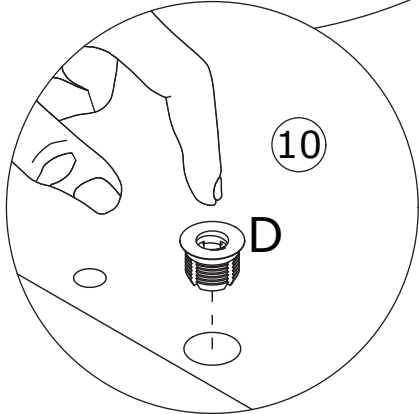
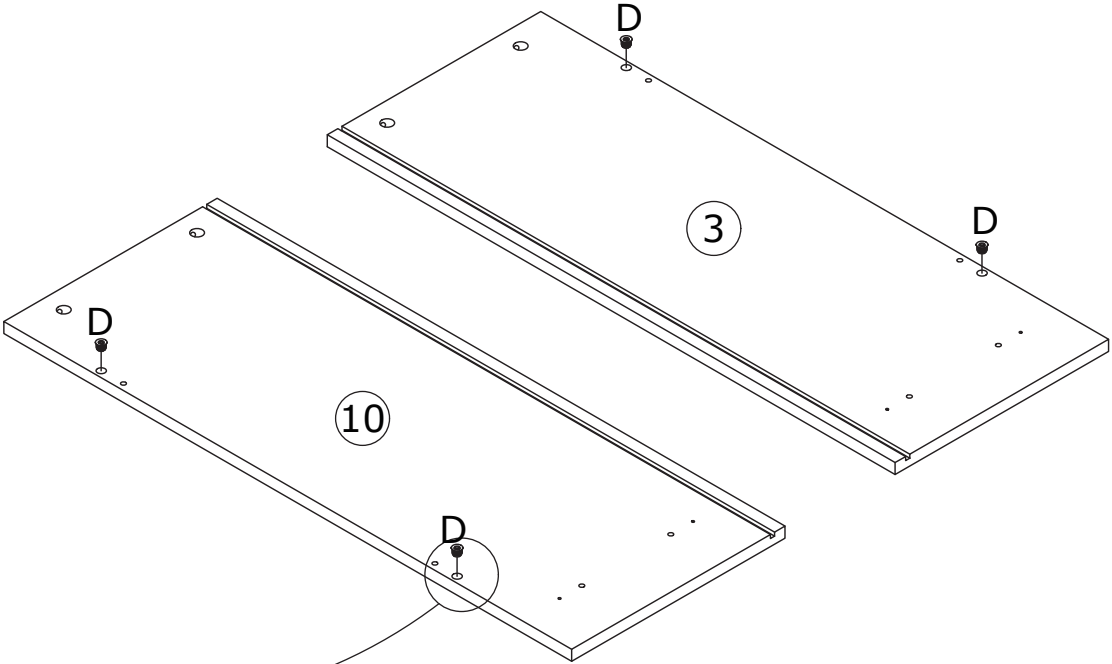
As shown, insert dowels (C) into panel 4, panel 7, panel 11, and panel 14.



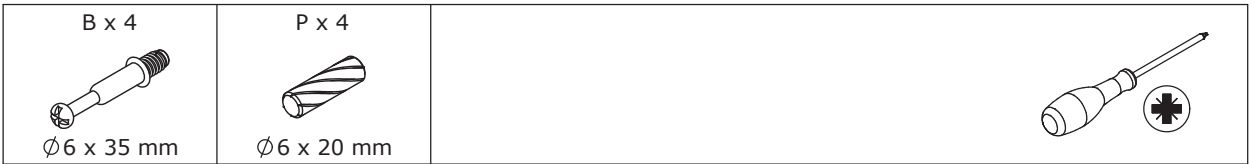
14



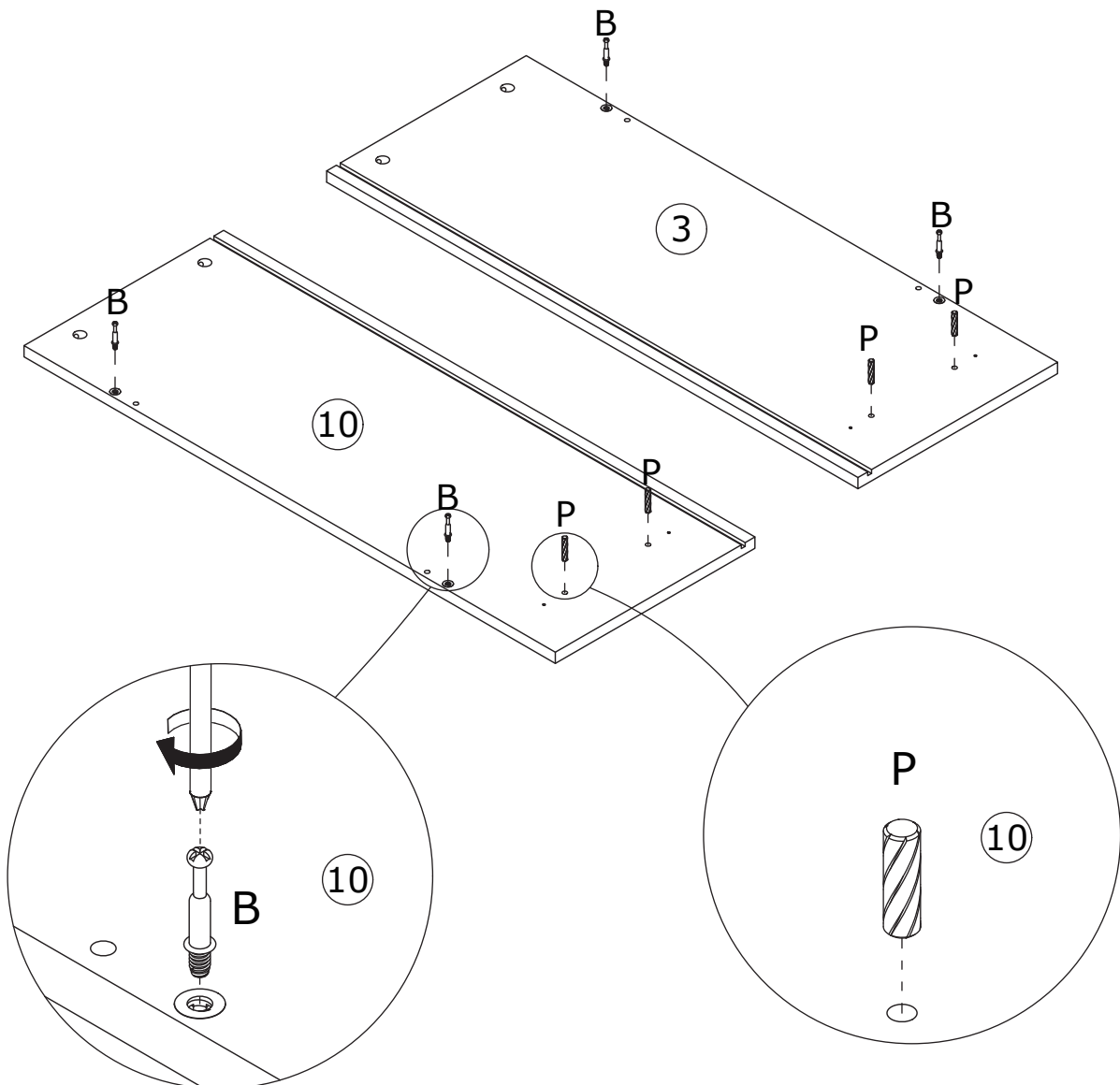
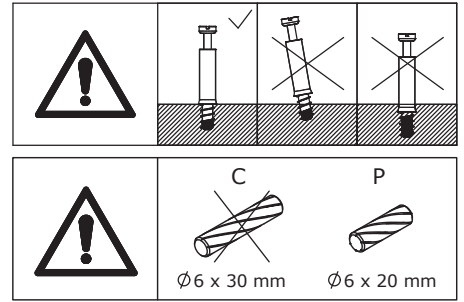
As shown, add component (D) to panel 3 and panel 10.



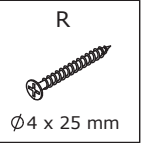
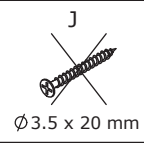
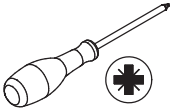
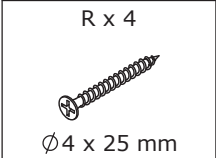
15



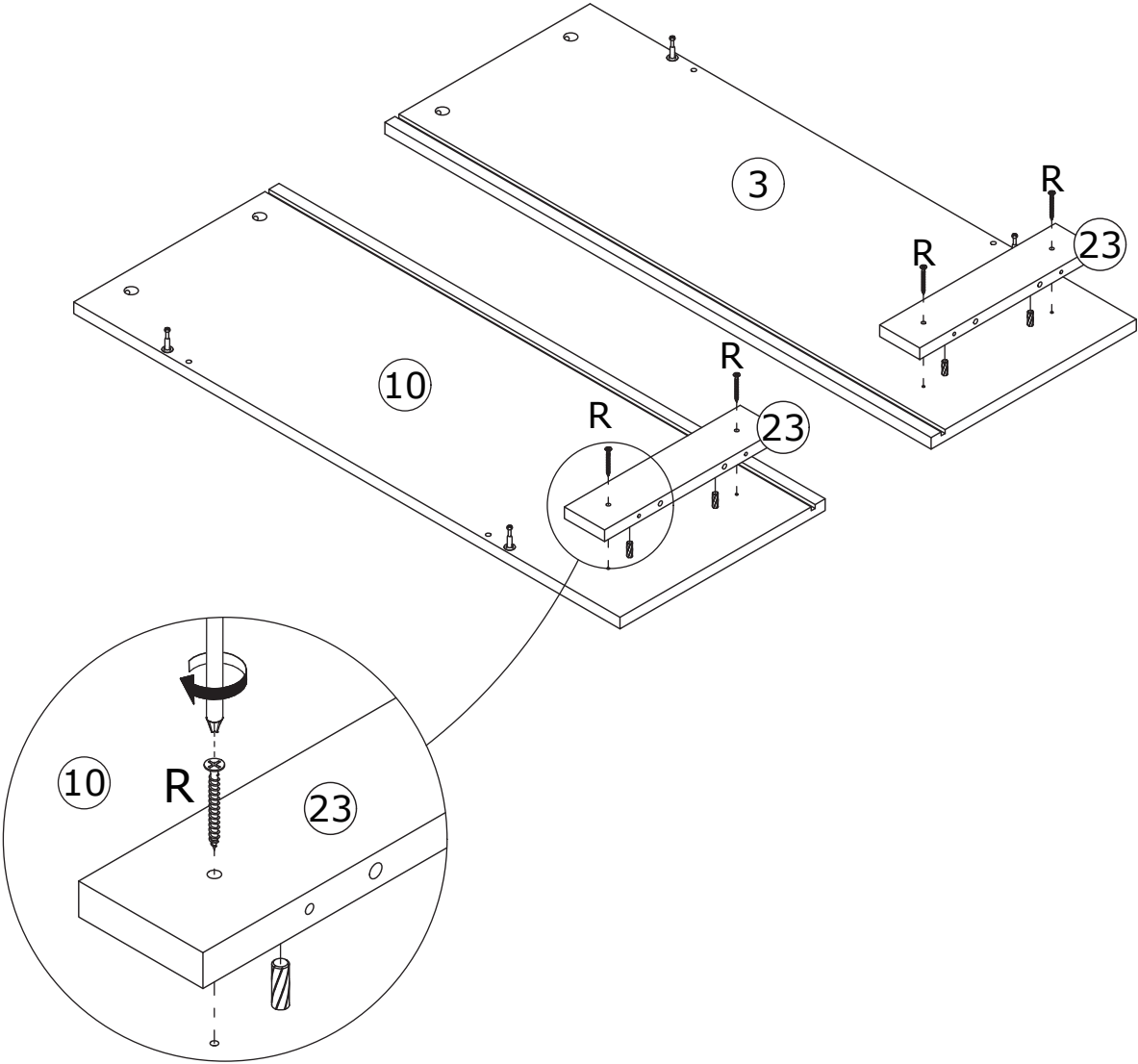
As shown, screw the self-tapping bolt (B) into panel 3 and panel 10, and insert dowels (P) into panel 3 and panel 10.



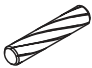
16

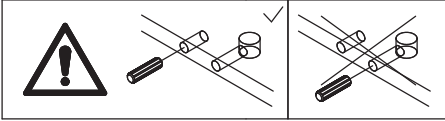


As shown, use screws (R) to connect panel 23 to panel 3 and panel 10.

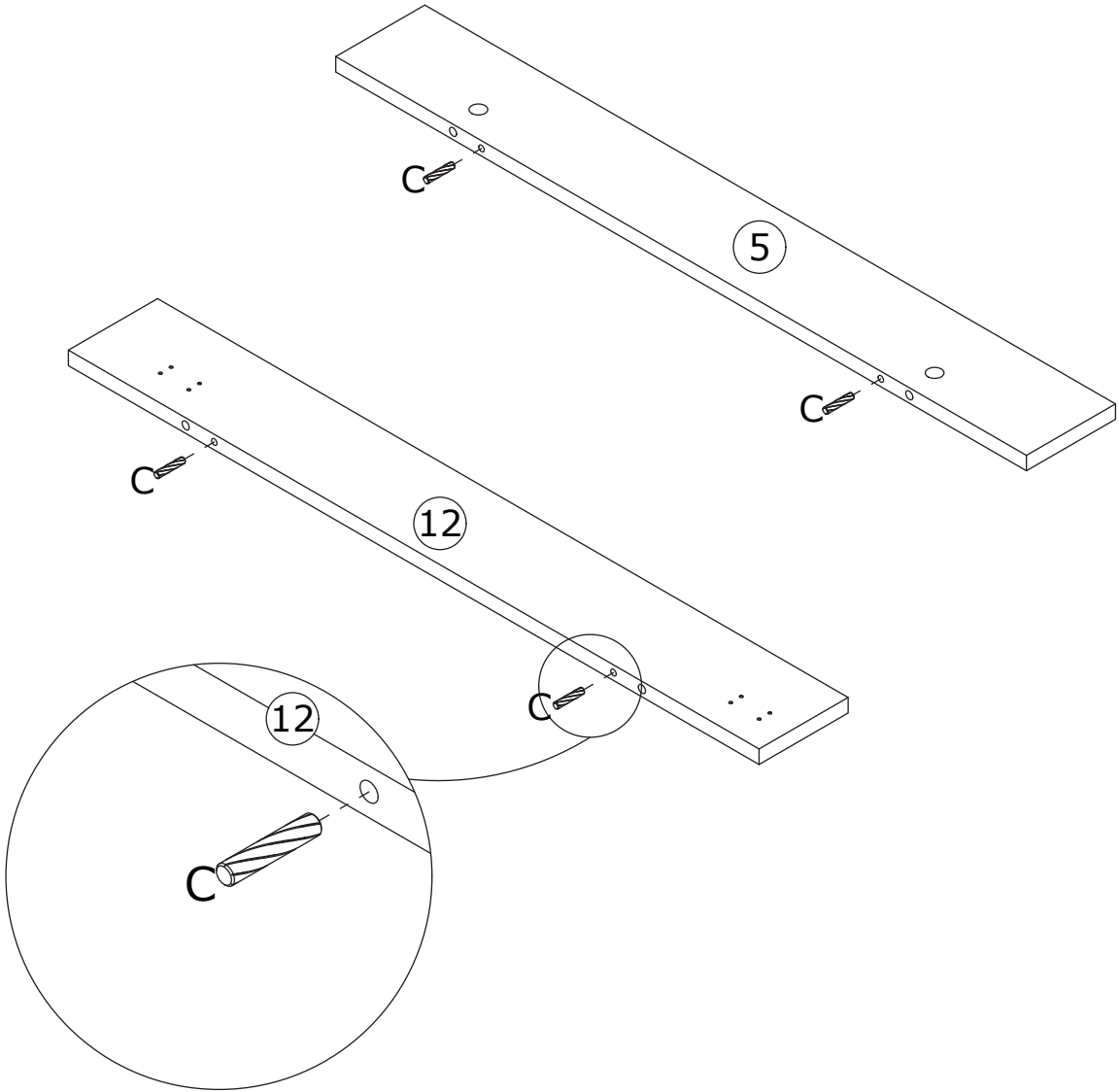
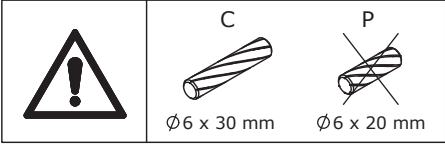


17

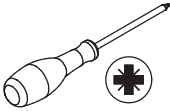
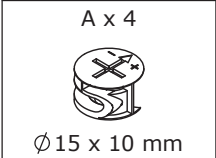
C x 4  
  
Ø6 x 30 mm



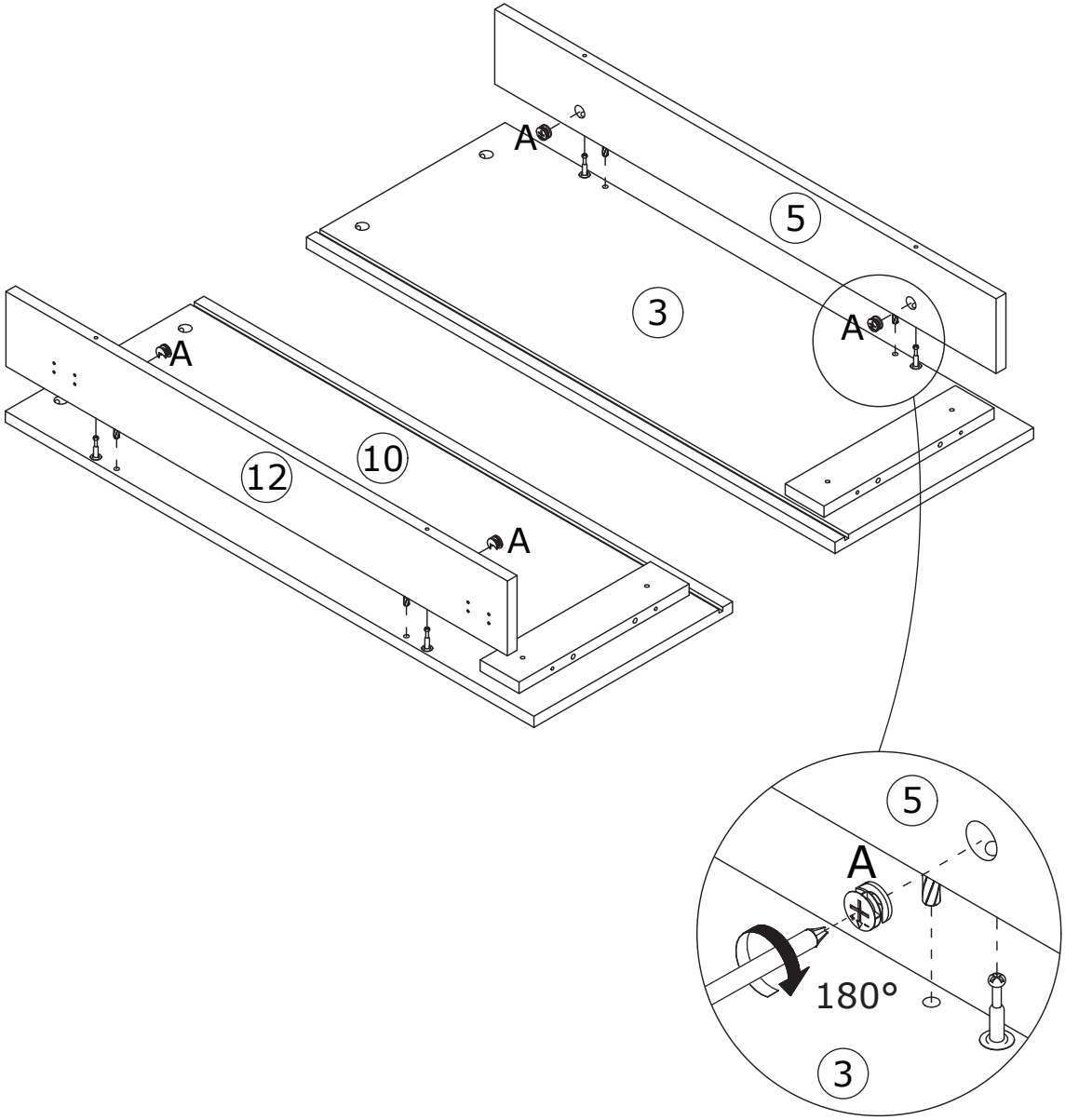
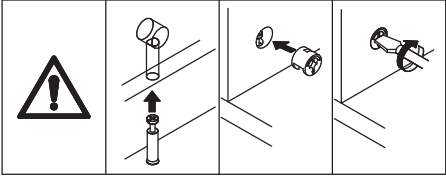
As shown, insert dowels (C) into panel 5 and panel 12.



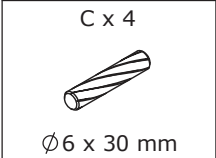
18



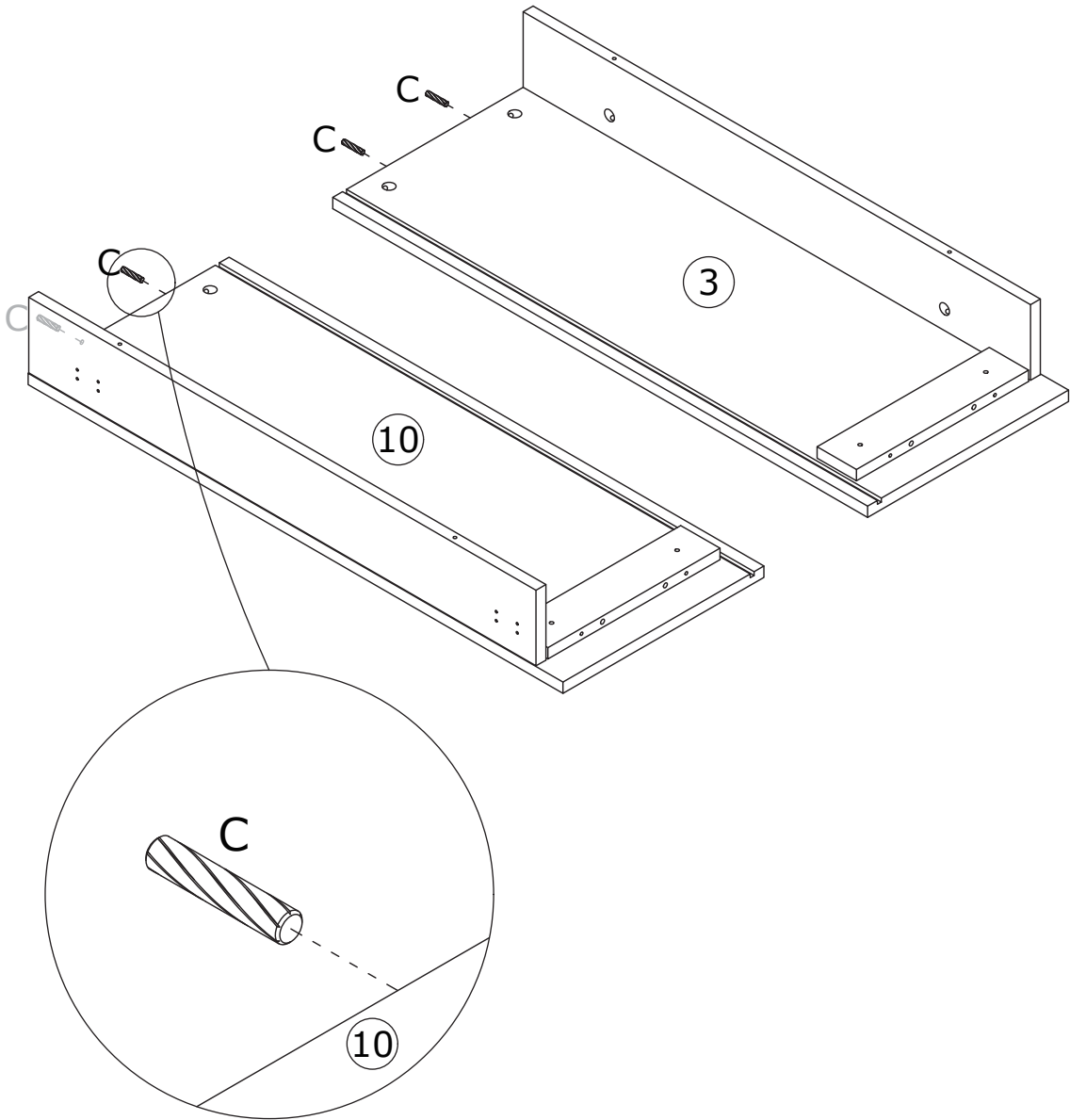
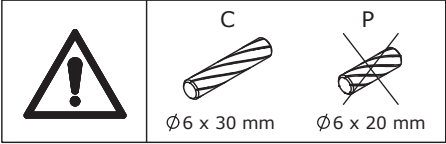
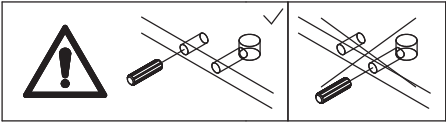
As shown, connect panel 5 to panel 3 and add cam lock (A) tightening by rotating clockwise; connect panel 12 to panel 10 and add cam lock (A) tightening by rotating clockwise.



19

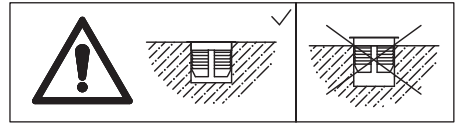


As shown, insert dowels (C) into panel 3 and panel 10.

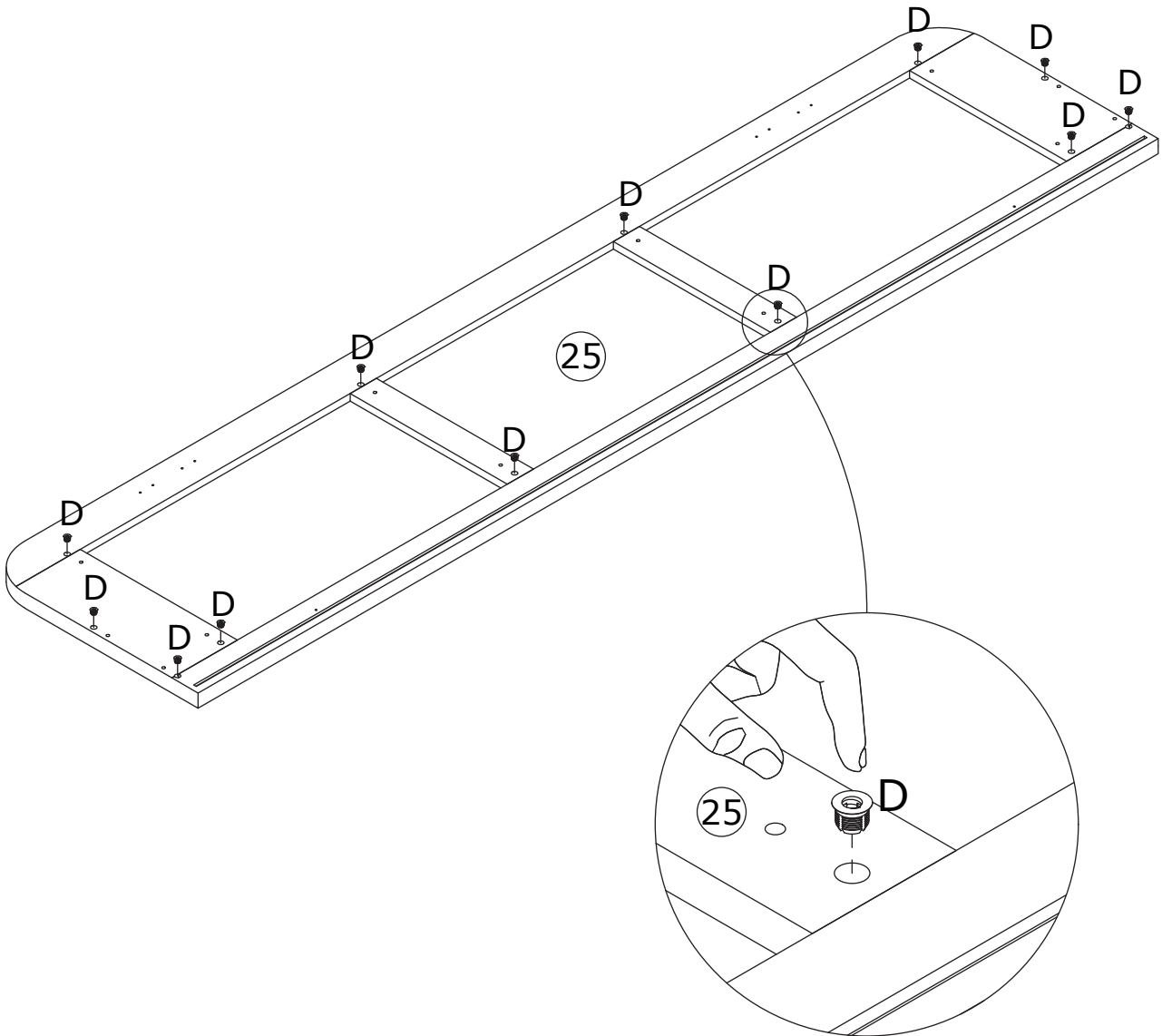


20

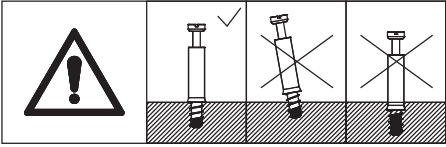
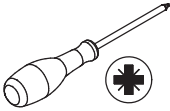
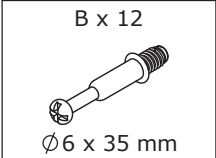
D x 12



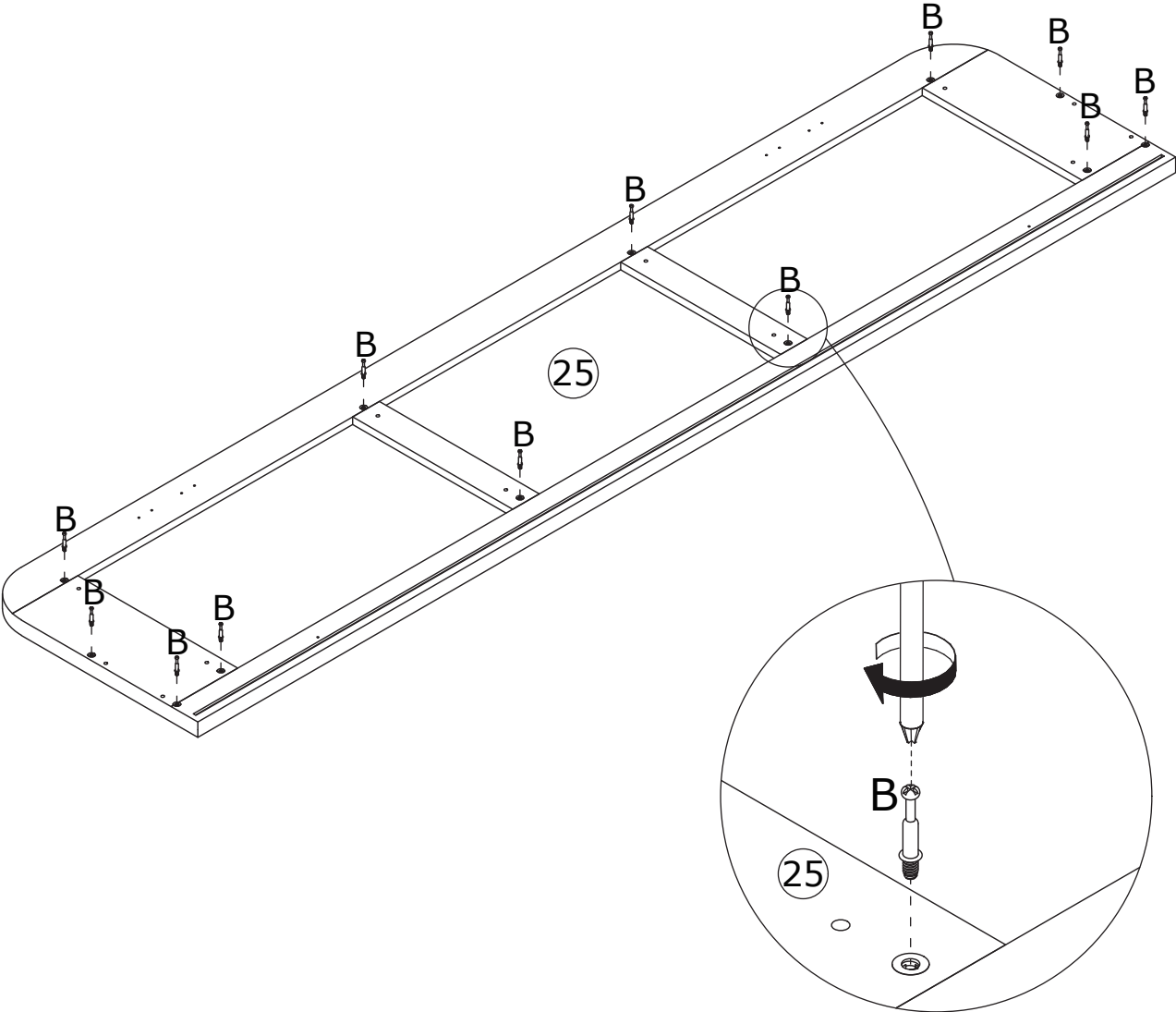
As shown, add component (D)  
to panel 25.



21

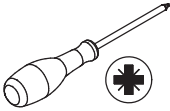


As shown, screw the self-tapping bolt (B) into panel 25.

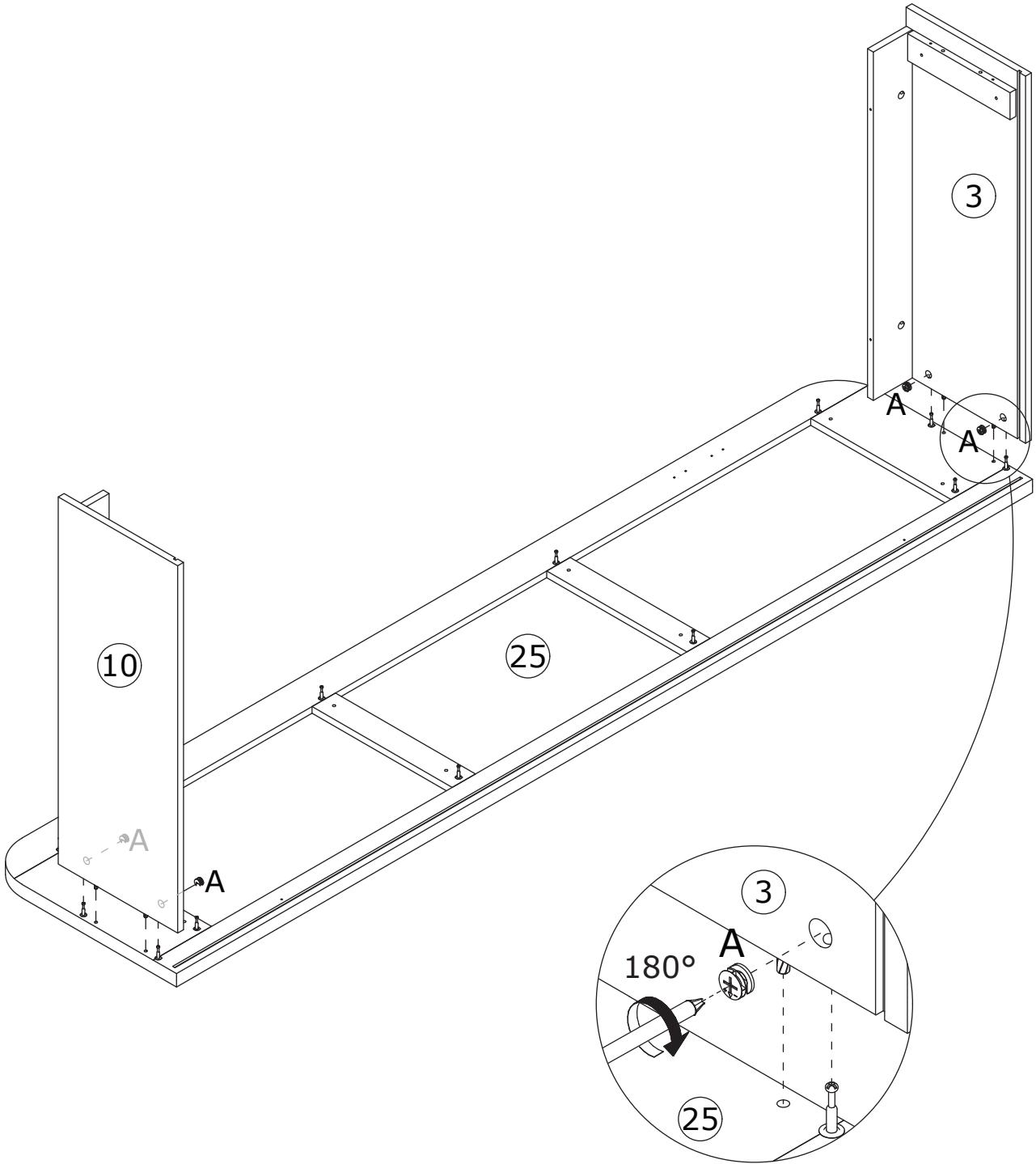
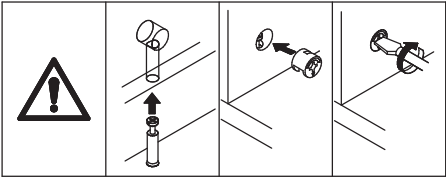


22

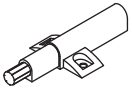


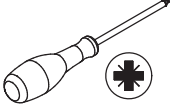
A x 4  
Ø15 x 10 mm






As shown, connect panel 3 and panel 10 to panel 25, and add cam lock (A) tightening by rotating clockwise.

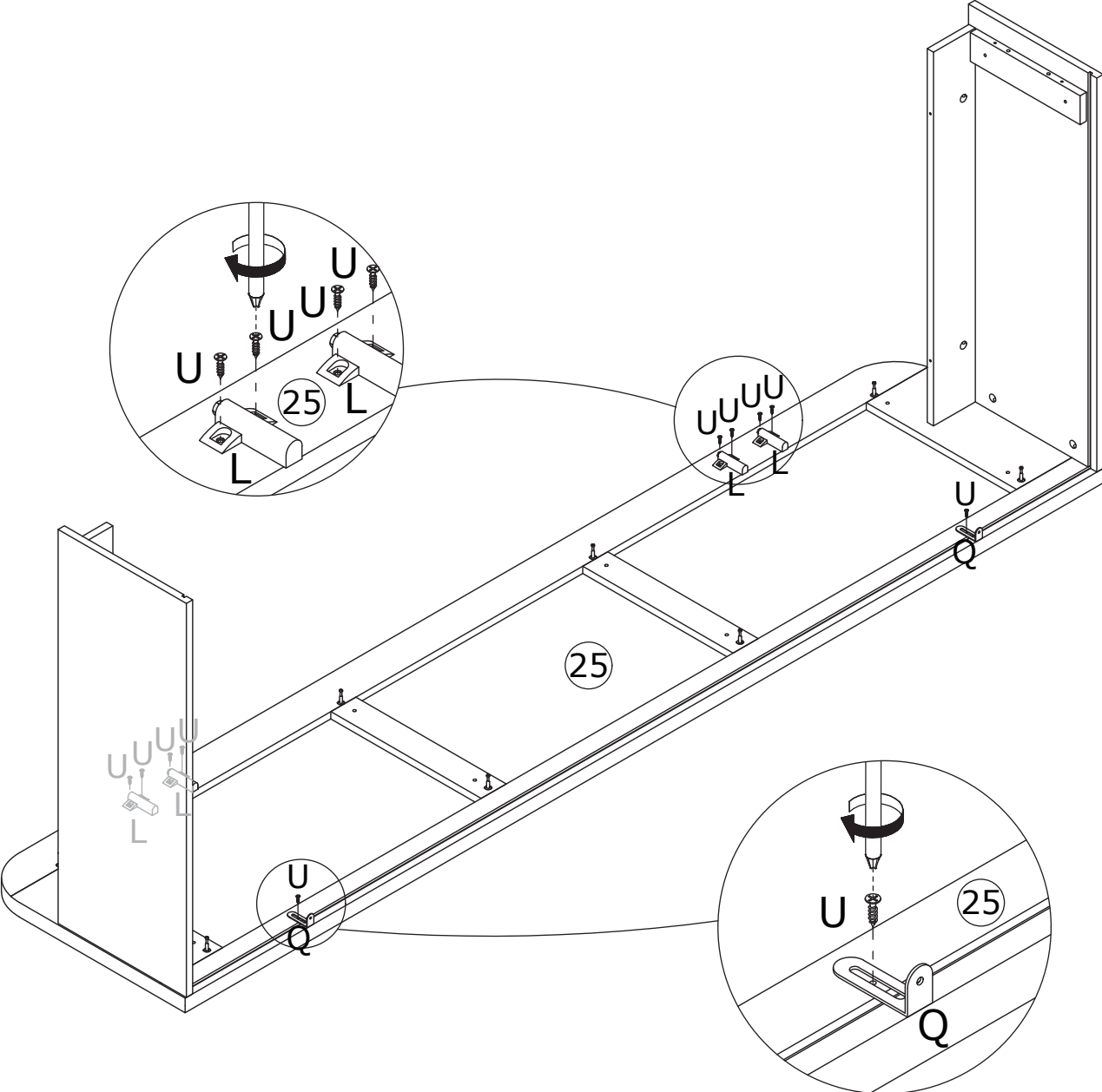


23

L x 4 	Q x 2 	U x 10  Ø 3.5 x 14 mm	
--	--	--	---

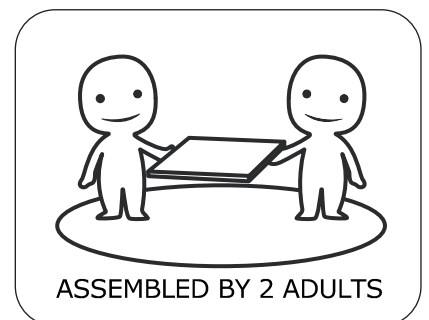
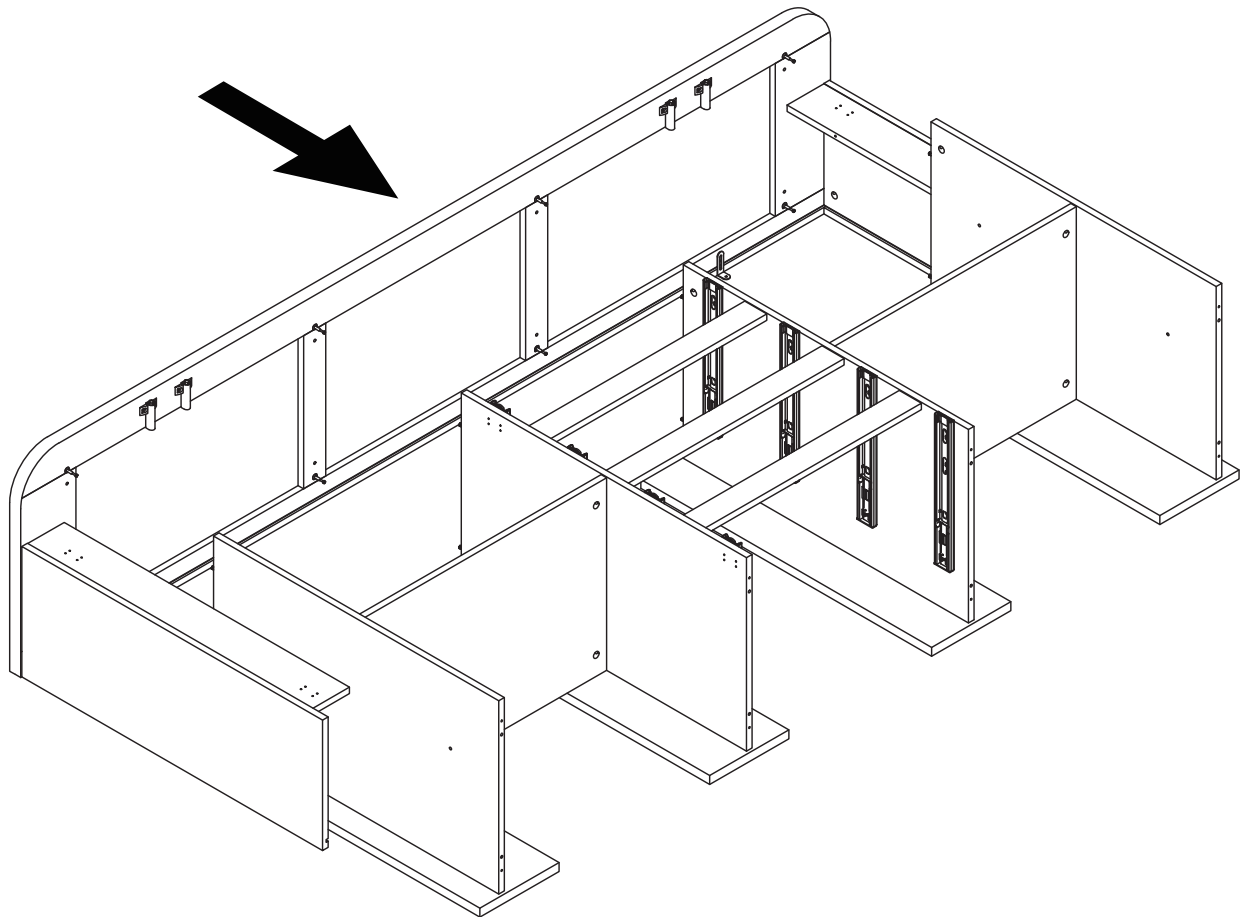
As shown, use screws (U) to fix component (L) to the assembly unit; use screws (U) to fix component (Q) to the assembly unit.

	<del>E</del>  Ø 3.5 x 12 mm	U  Ø 3.5 x 14 mm
---	--	---



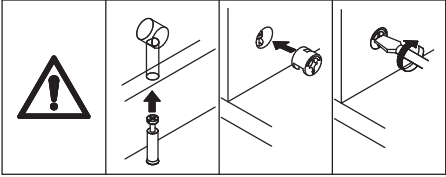
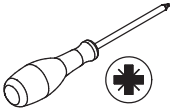
24

As shown, push the assembly unit from step 23 into the assembly unit from step 13.

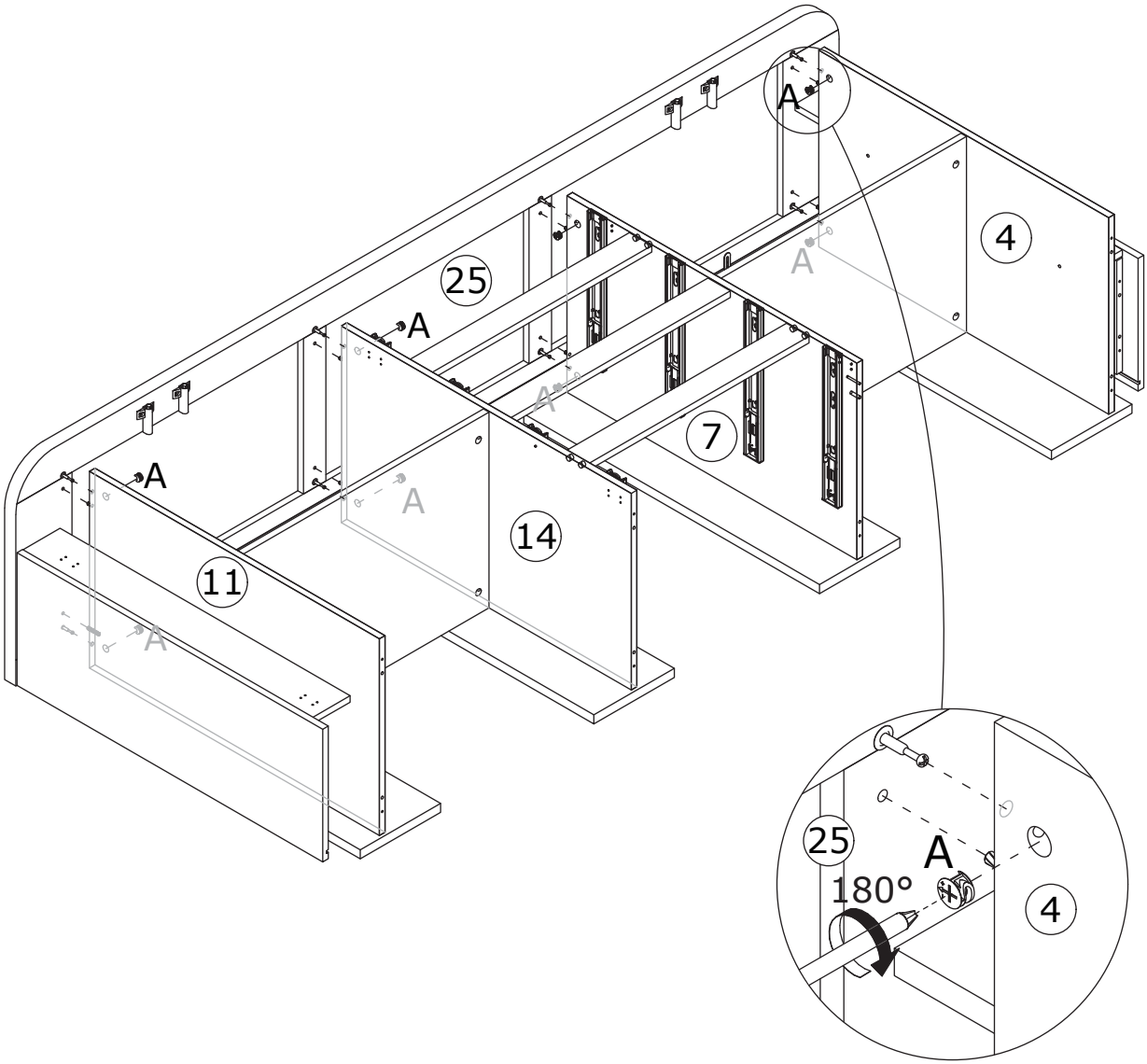


25

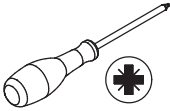
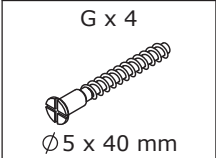
A x 8  
Ø 15 x 10 mm



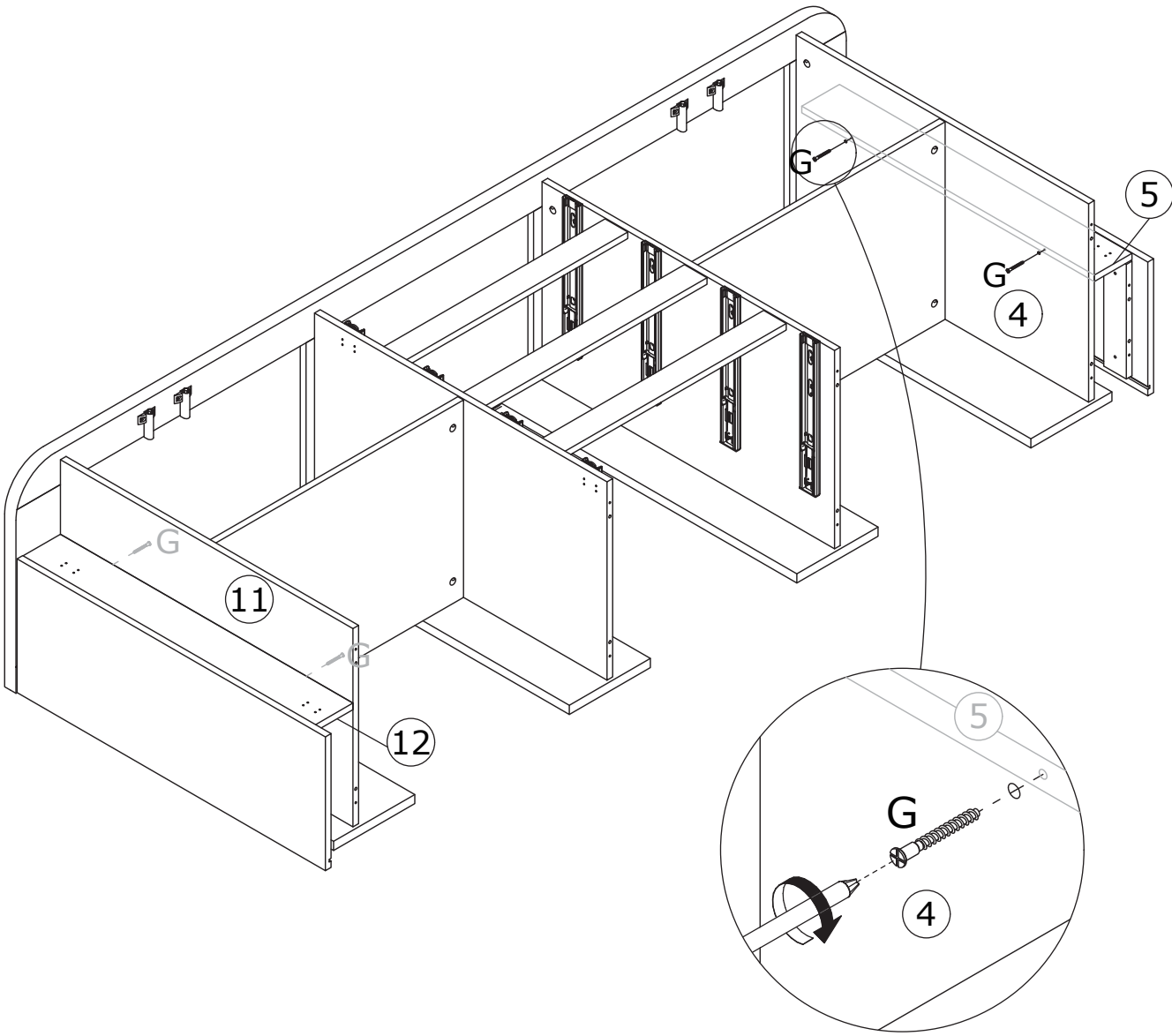
As shown, connect the assembly unit from step 23 to the assembly unit from step 13, and add cam lock (A) tightening by rotating clockwise.



26

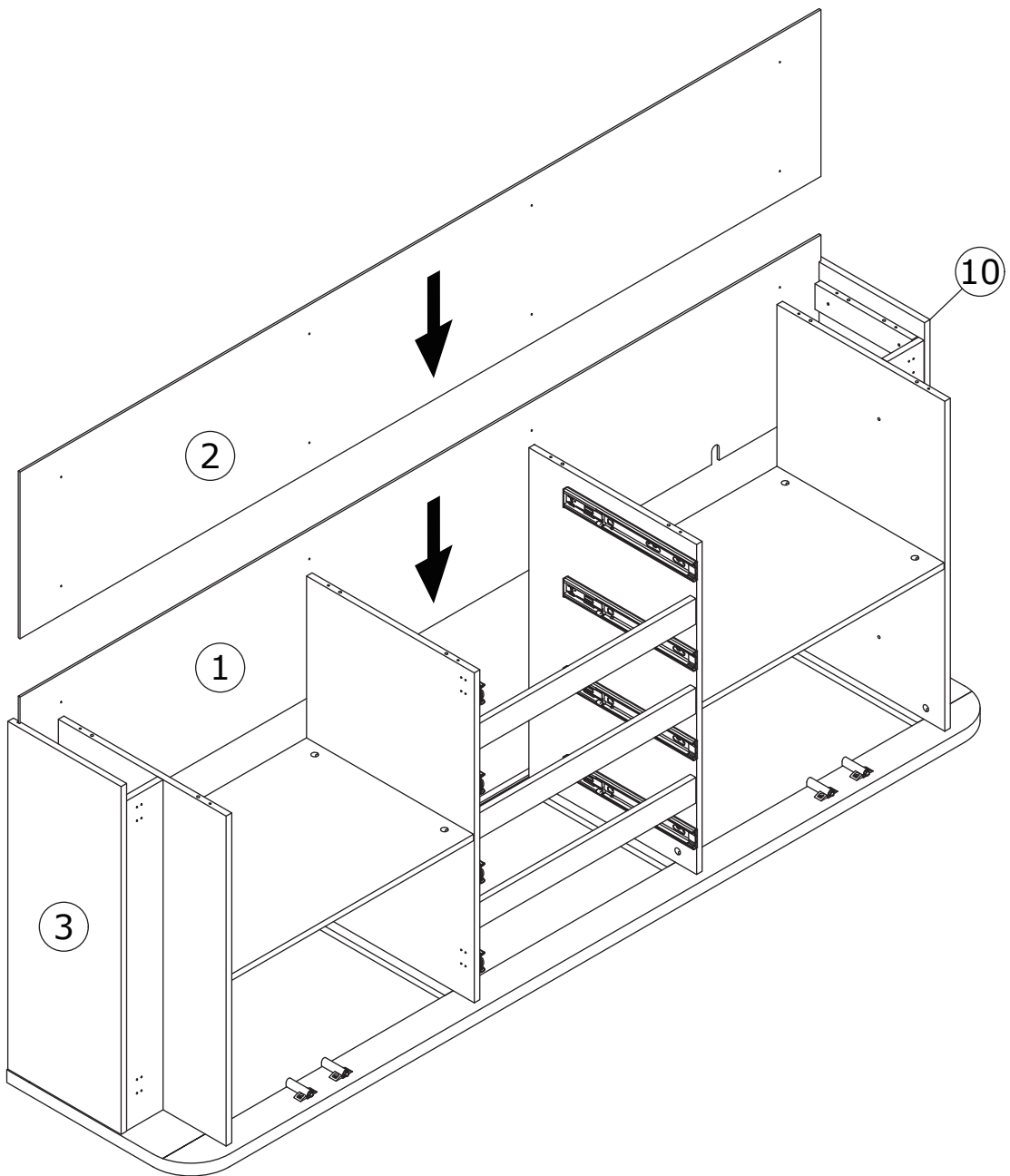


As shown, use screws (G) to fix panel 4 to panel 5; use screws (G) to fix panel 11 to panel 12.

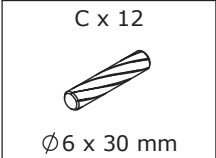


27

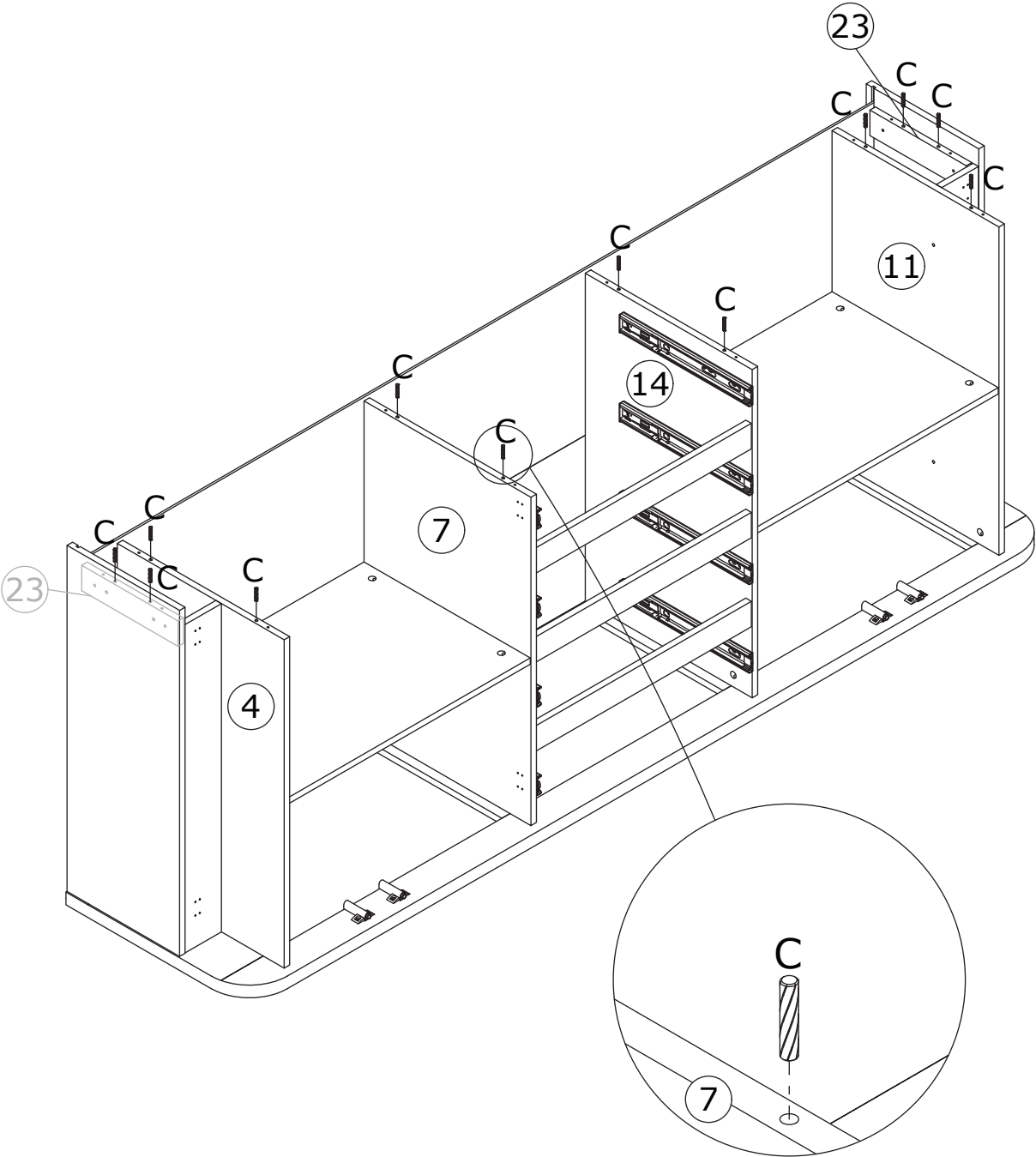
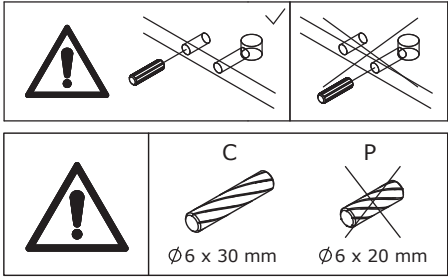
As shown, insert panel 1 and panel 2 along the available slots.



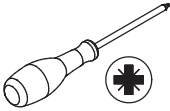
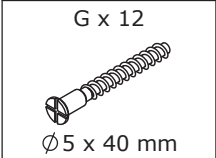
28



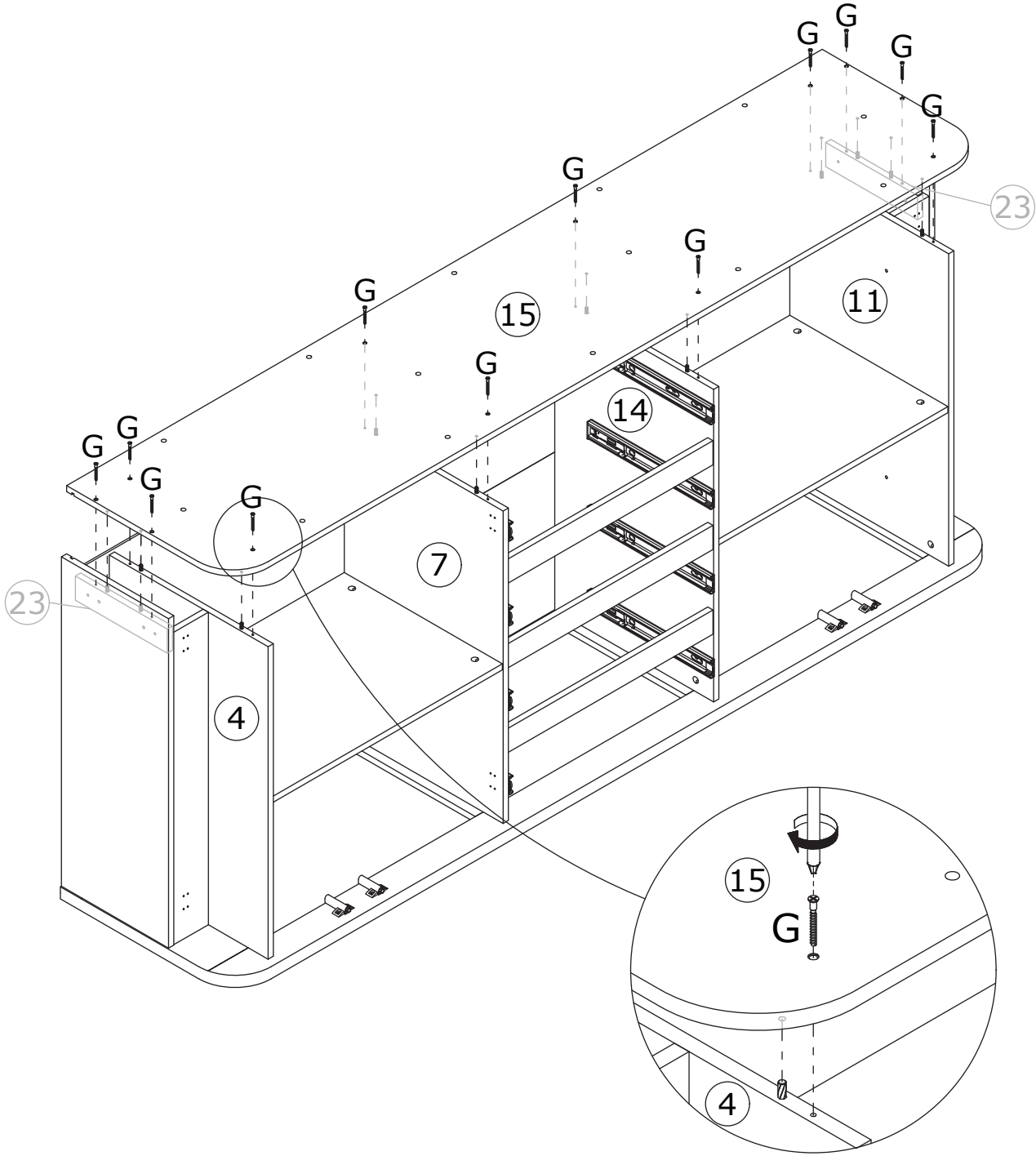
As shown, insert dowels (C) into panel 4, panel 7, panel 11, panel 14, and panel 23.



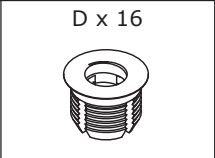
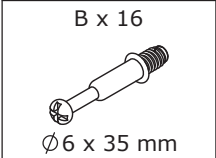
29



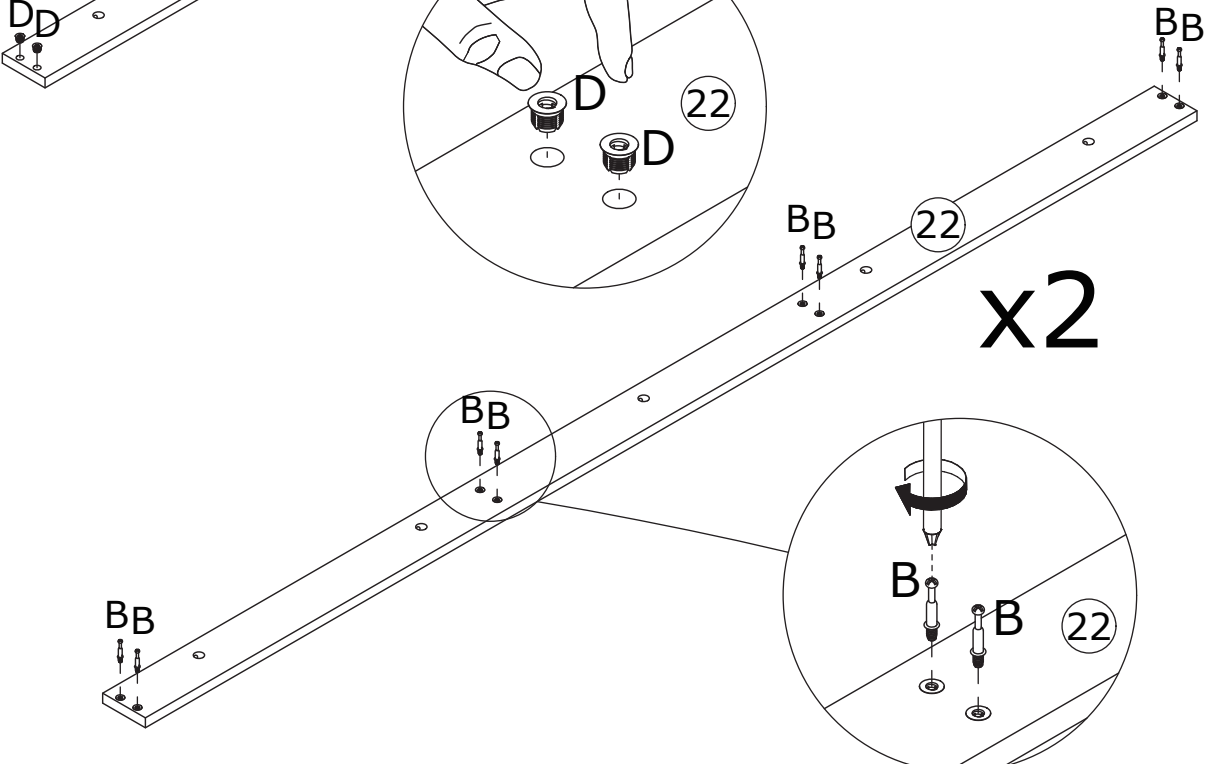
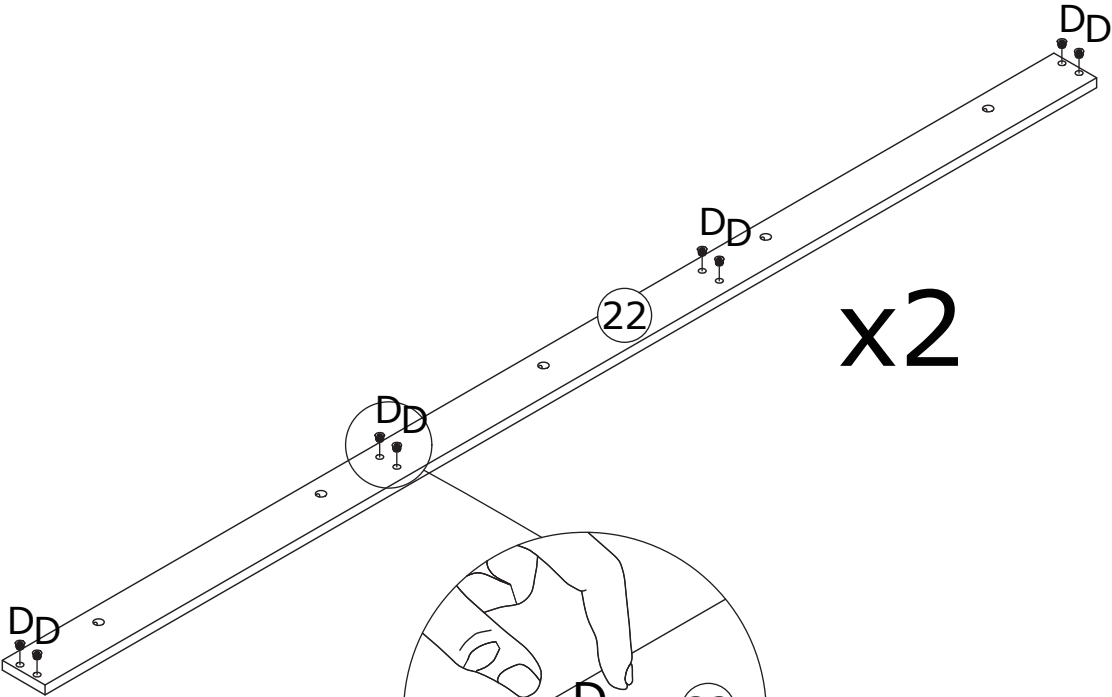
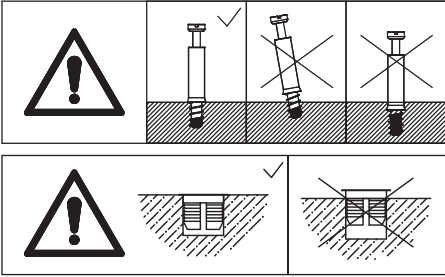
As shown, use screws (G) to connect panel 15 to the assembly unit.




30

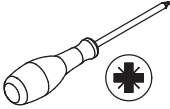


As shown, add component (D) to panel 22;  
screw the self-tapping bolt (B) into panel 22.

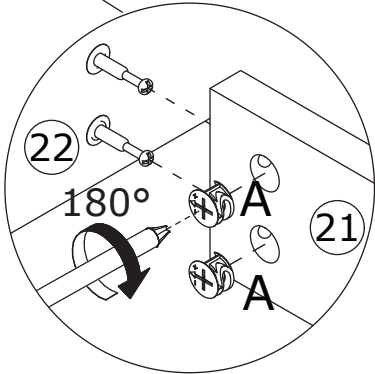
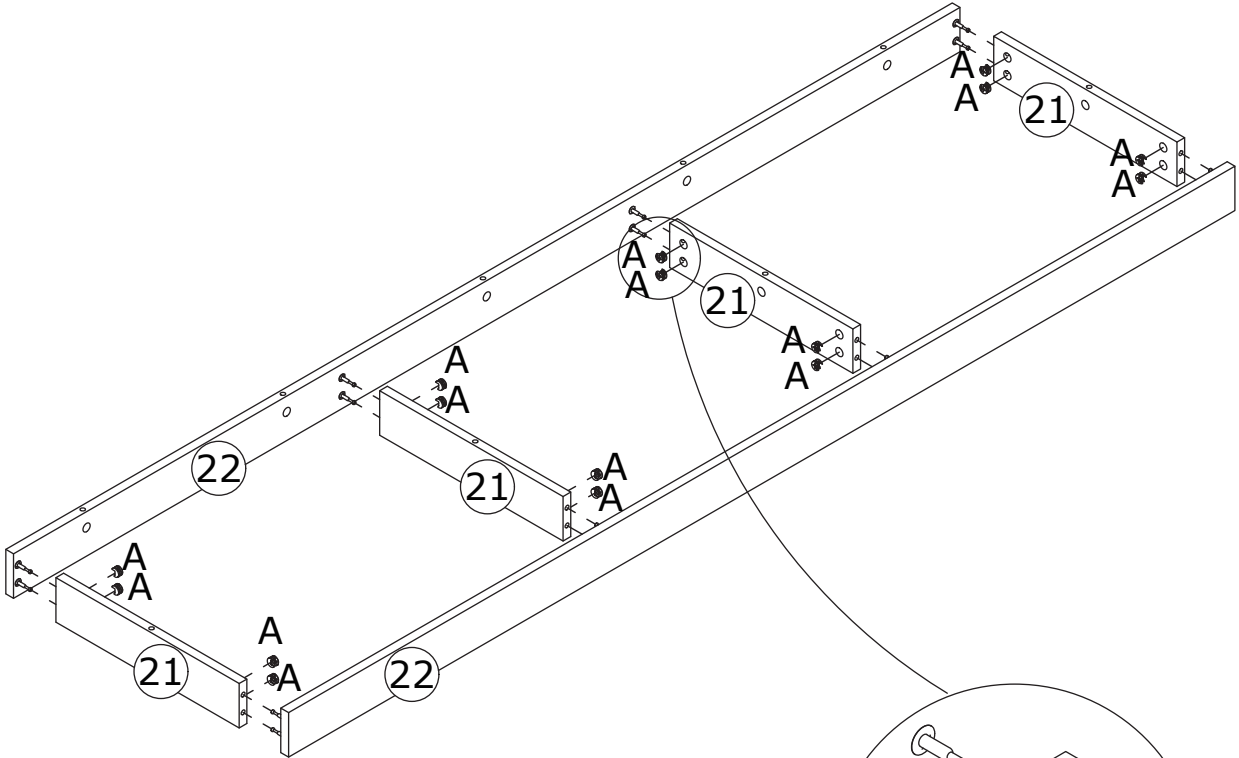
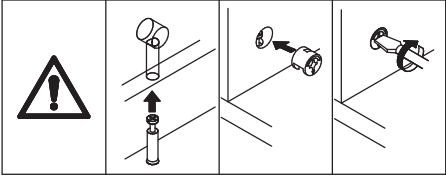


31

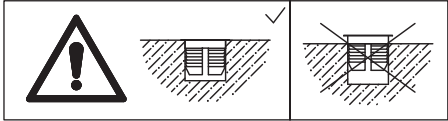
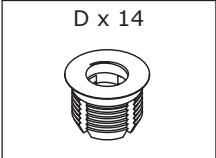
A x 16  
  
Ø15 x 10 mm



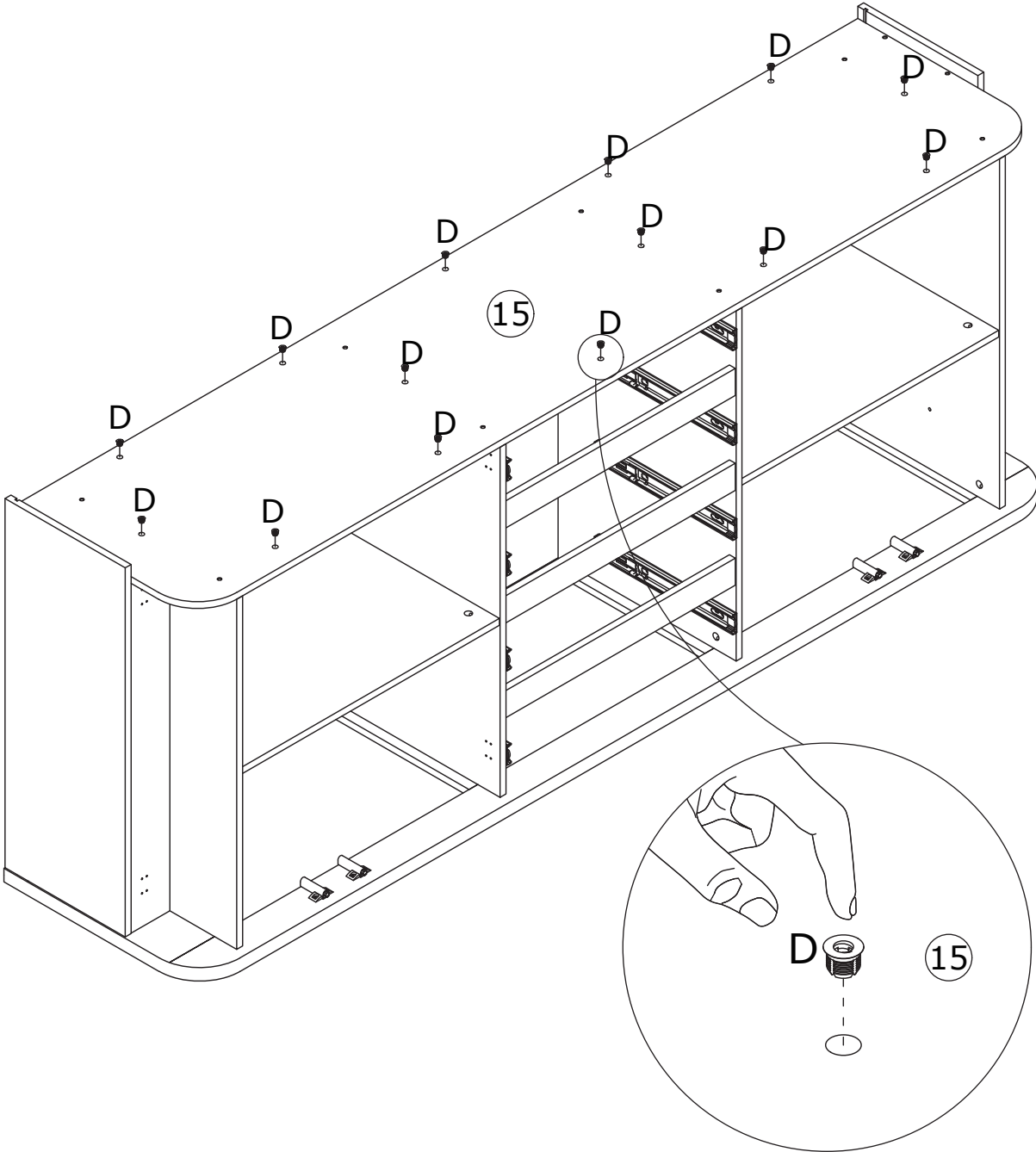
As shown, connect panel 22 to panel 21, and add cam lock (A) tightening by rotating clockwise.



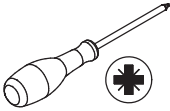
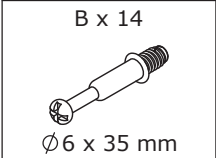
32



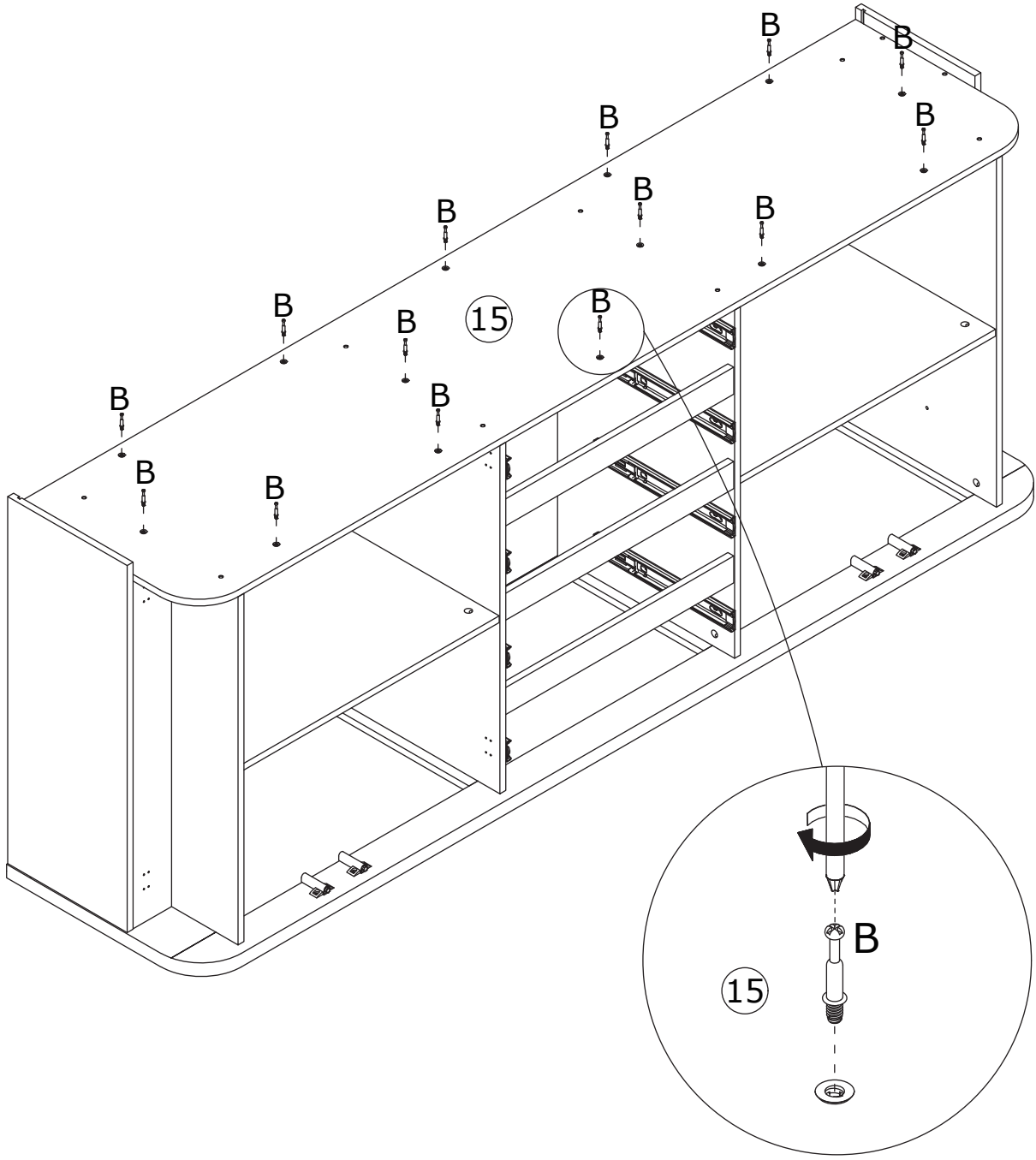
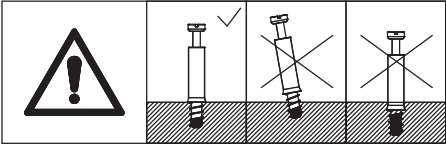
As shown, add component (D) to panel 15.



33

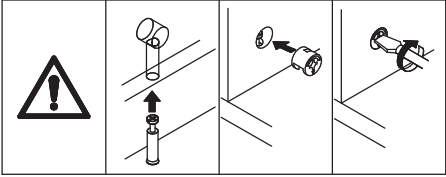
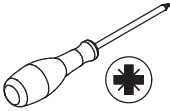


As shown, screw the self-tapping bolt (B) into panel 15.

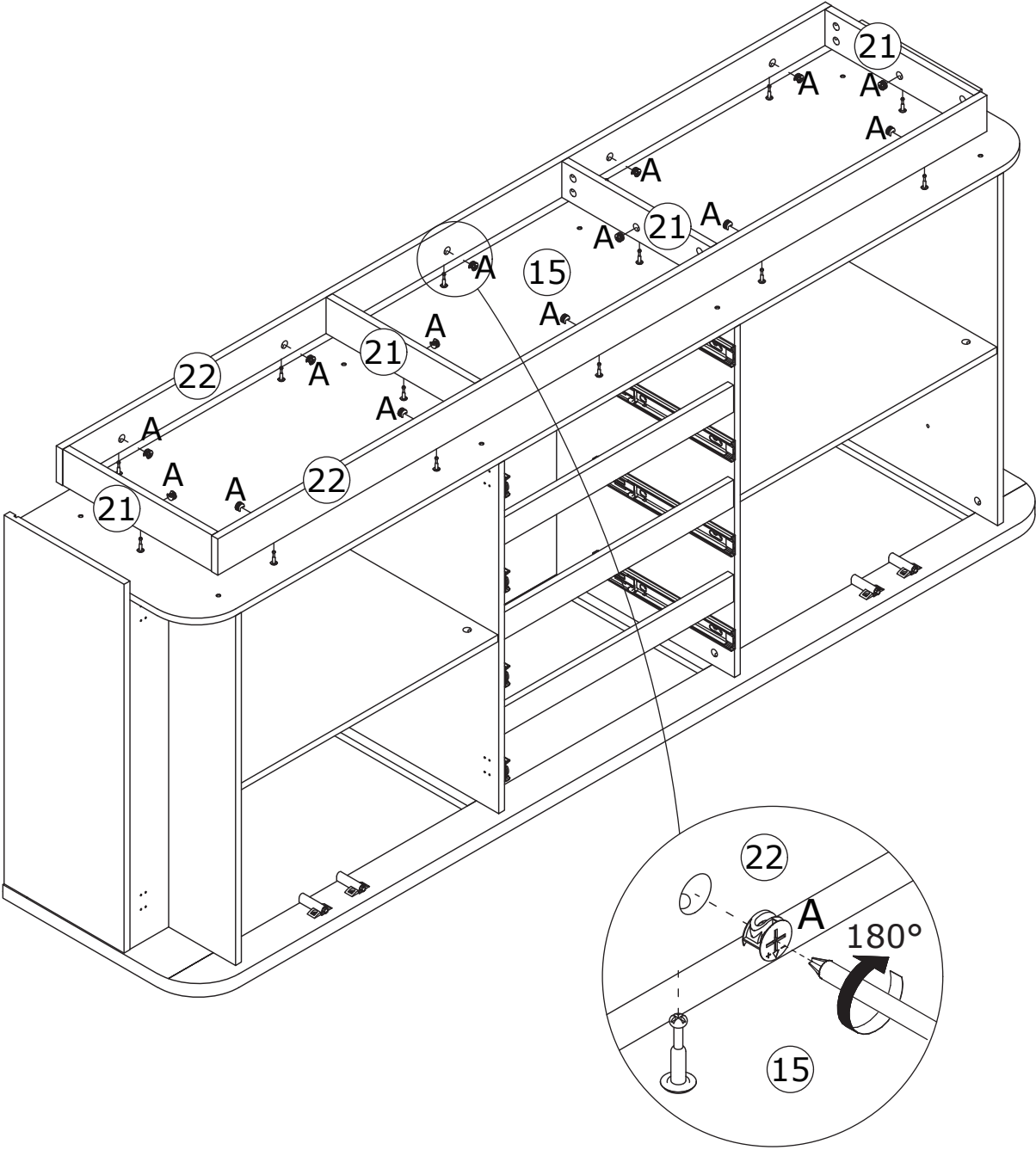


34

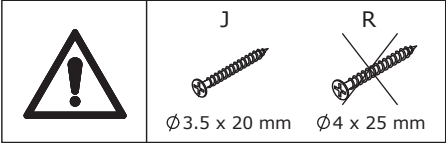
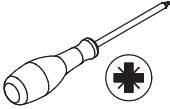
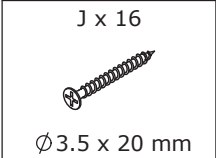
A x 14  
Ø 15 x 10 mm



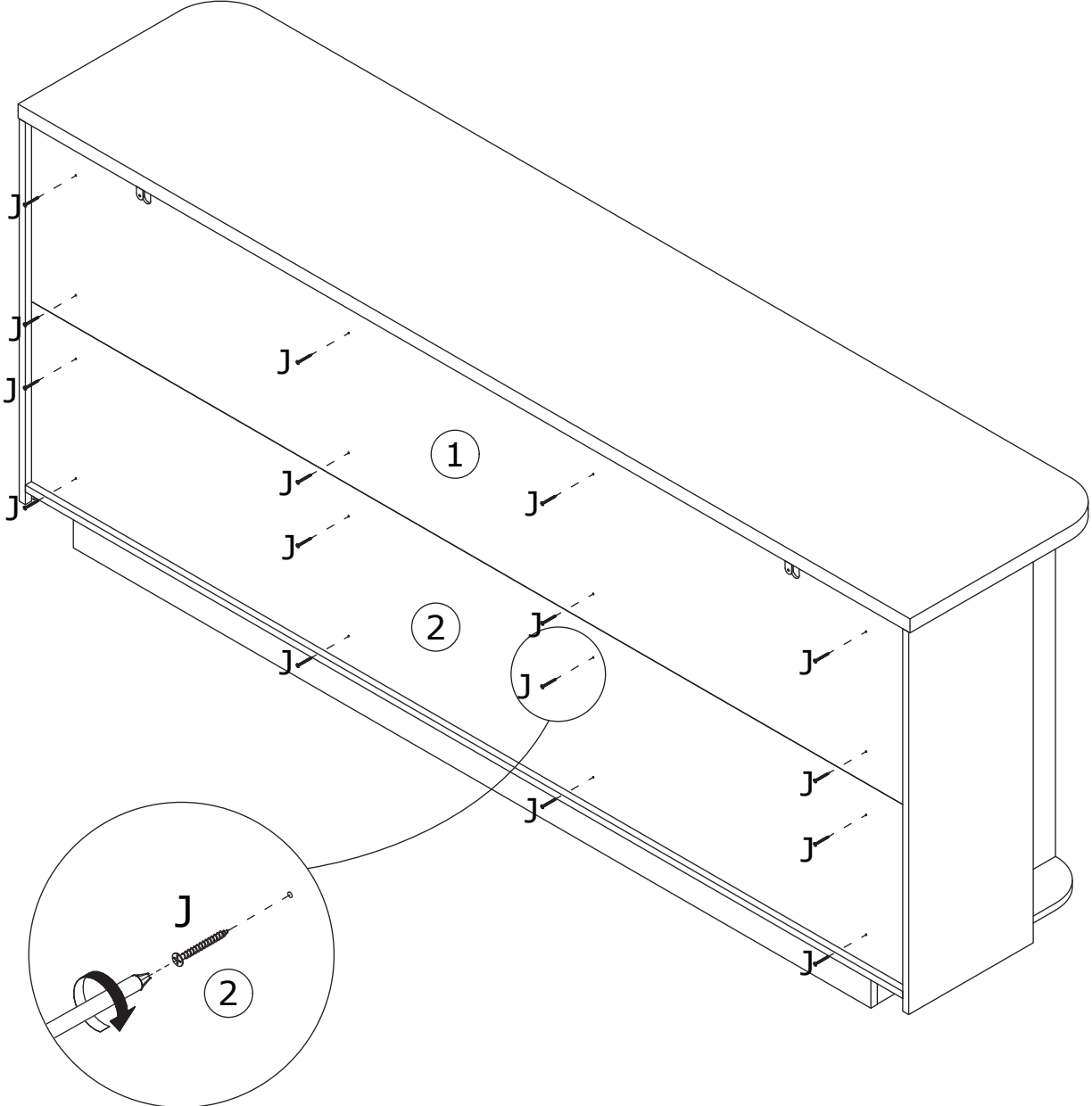
As shown, connect panel 21 and panel 22 to the assembly unit, and add cam lock (A) tightening by rotating clockwise.



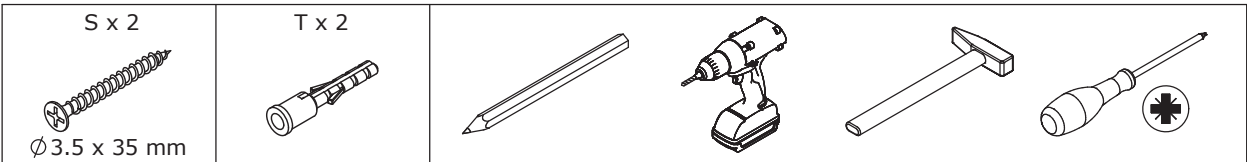
35



As shown, use screws (J) to fix panel 1 and panel 2 to the assembly unit.

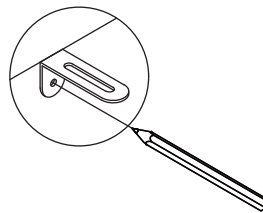


36

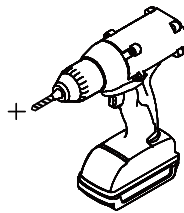


As shown, install the anti-tip device according to the instructions.

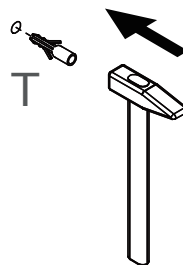
1.



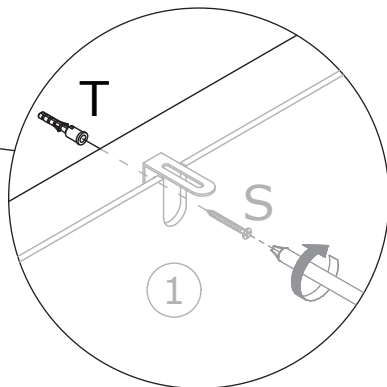
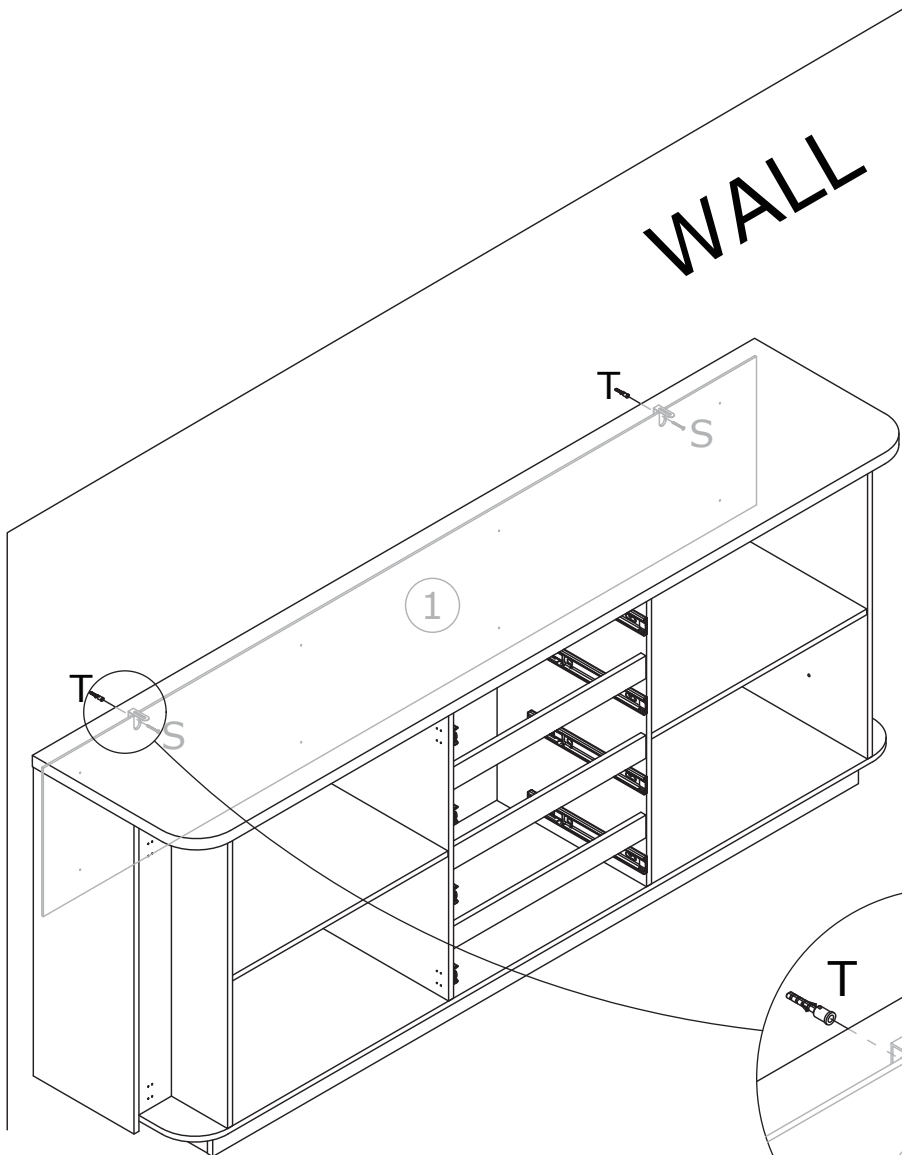
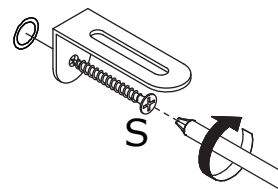
2.



3.



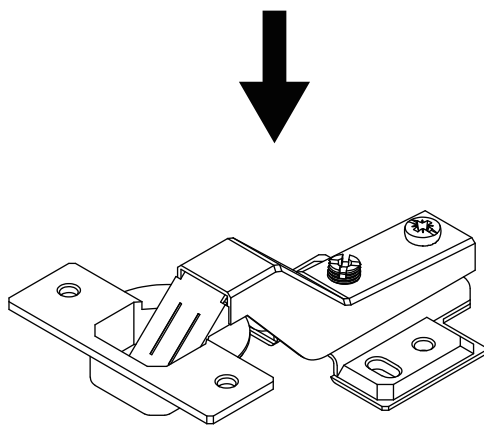
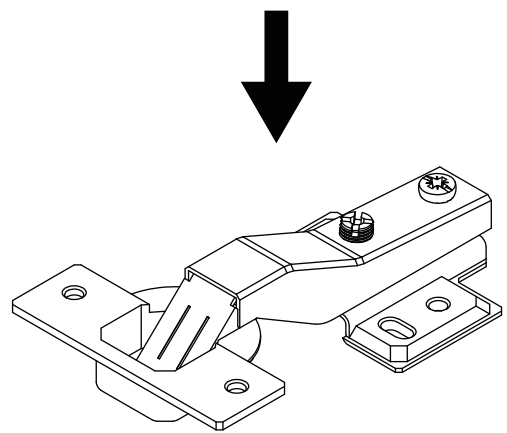
4.



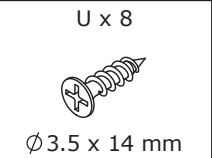
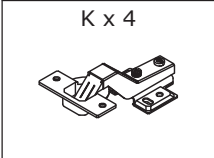


Pay attention to the difference between the middle parts of the two types of door hinges.

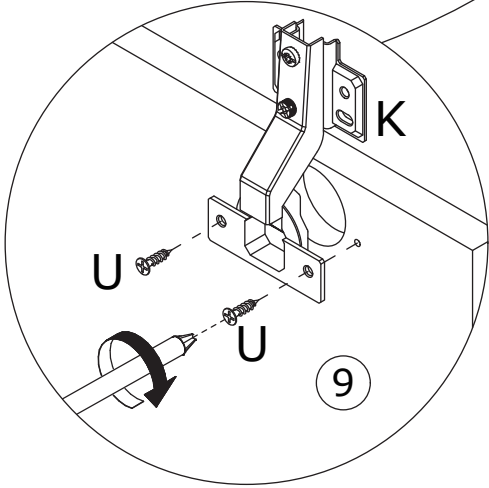
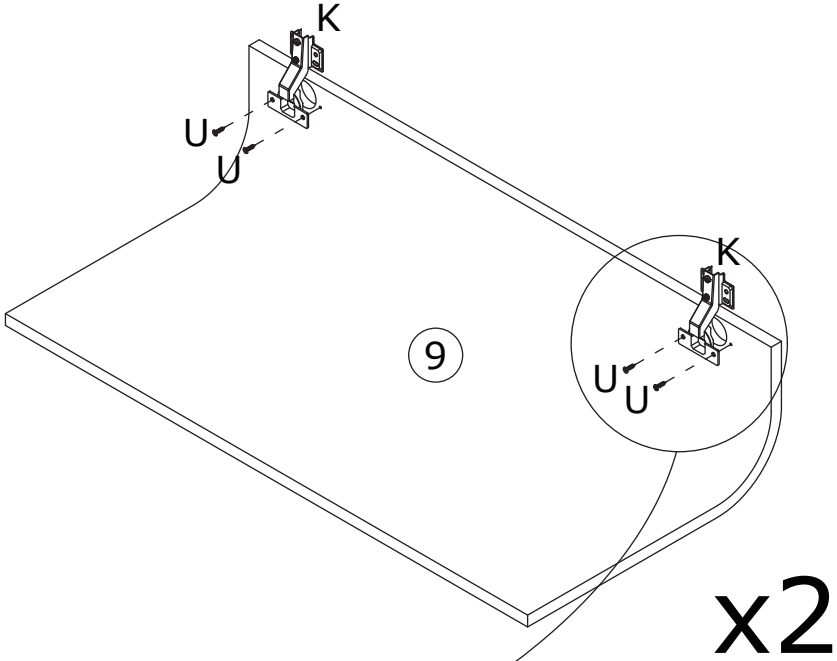
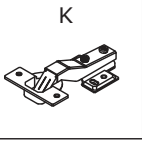
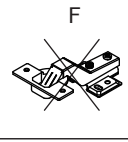
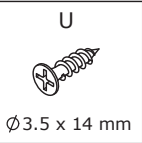
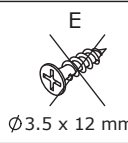
- The door hinges(K) are used on the outermost door plates
- And the door hinges(F) are used on the door panel in the middle of the cabinet.

**K****F**


38

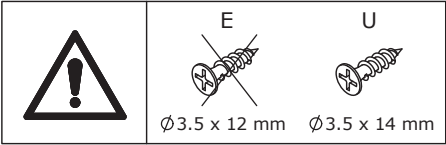
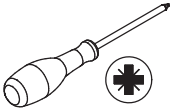


As shown, use screws (U) to fix component (K) to panel 9.

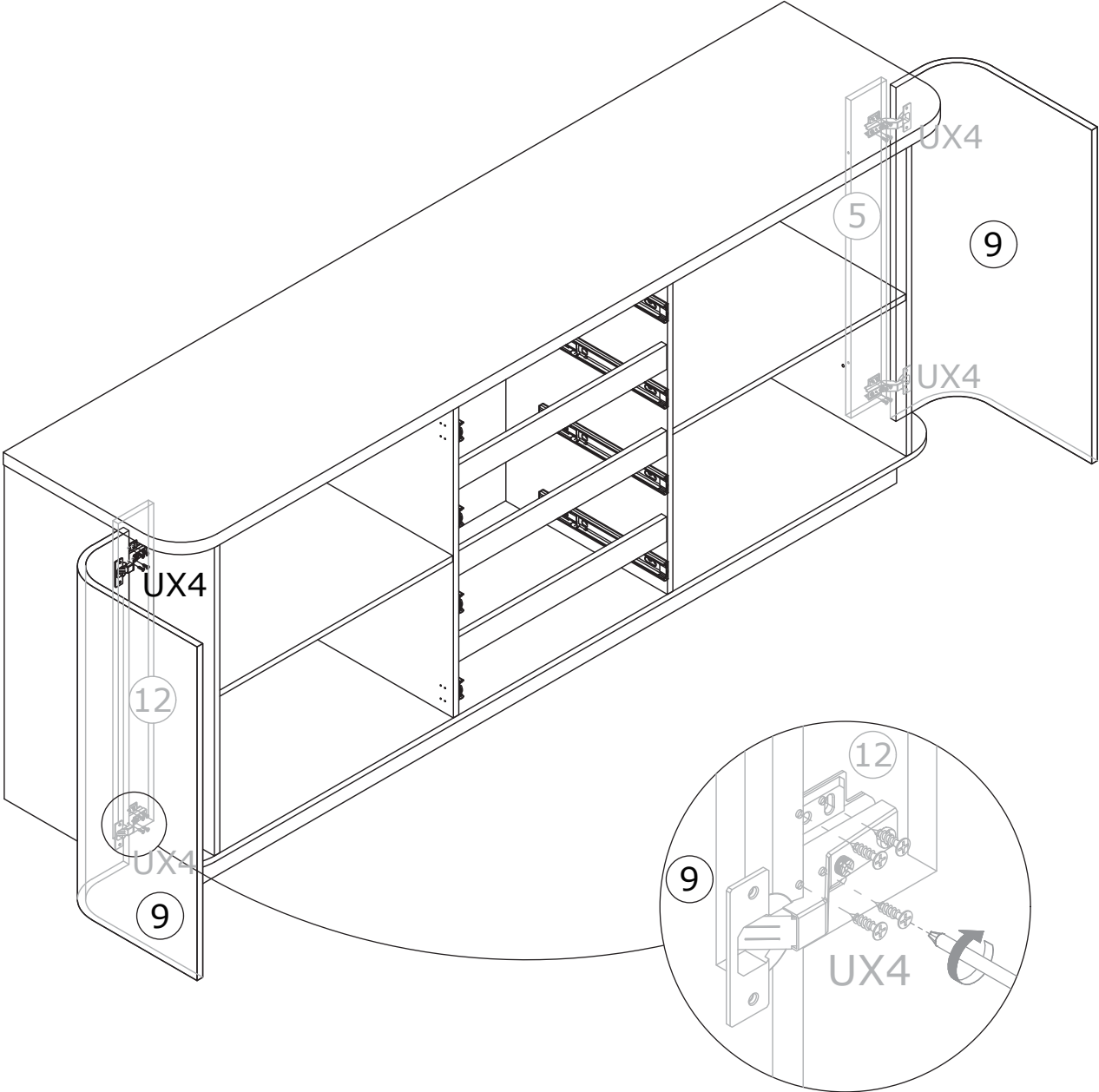


39

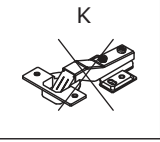
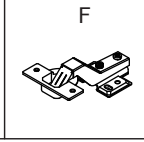
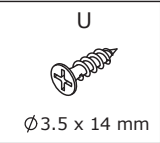
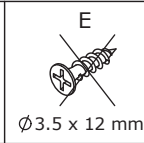
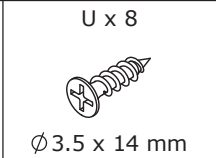
U x 16  
  
Ø 3.5 x 14 mm



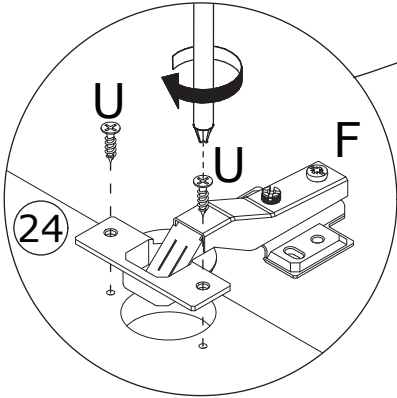
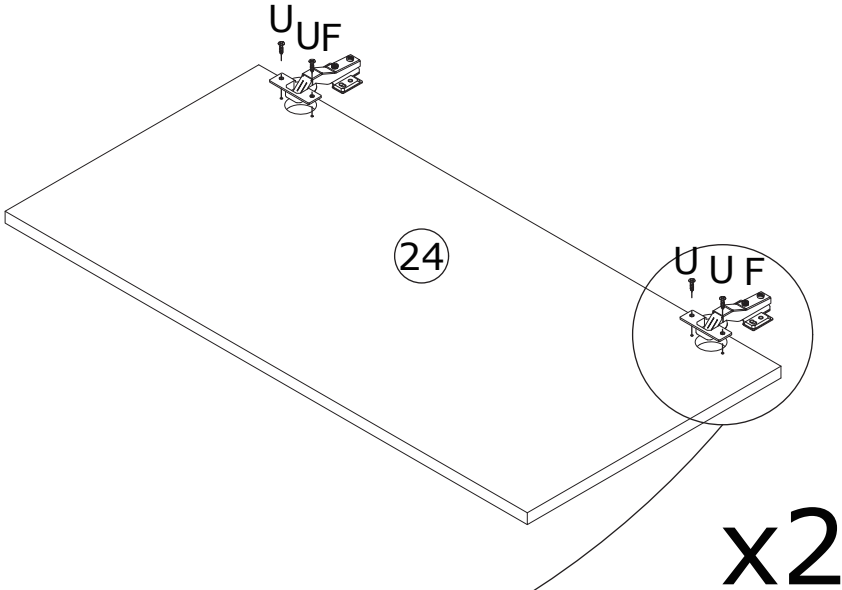
As shown, use screws (U) to connect panel 9 to the assembly unit.



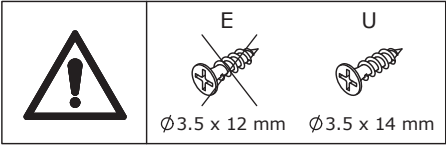
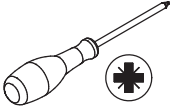
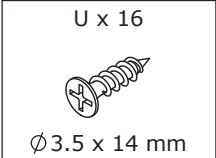
40



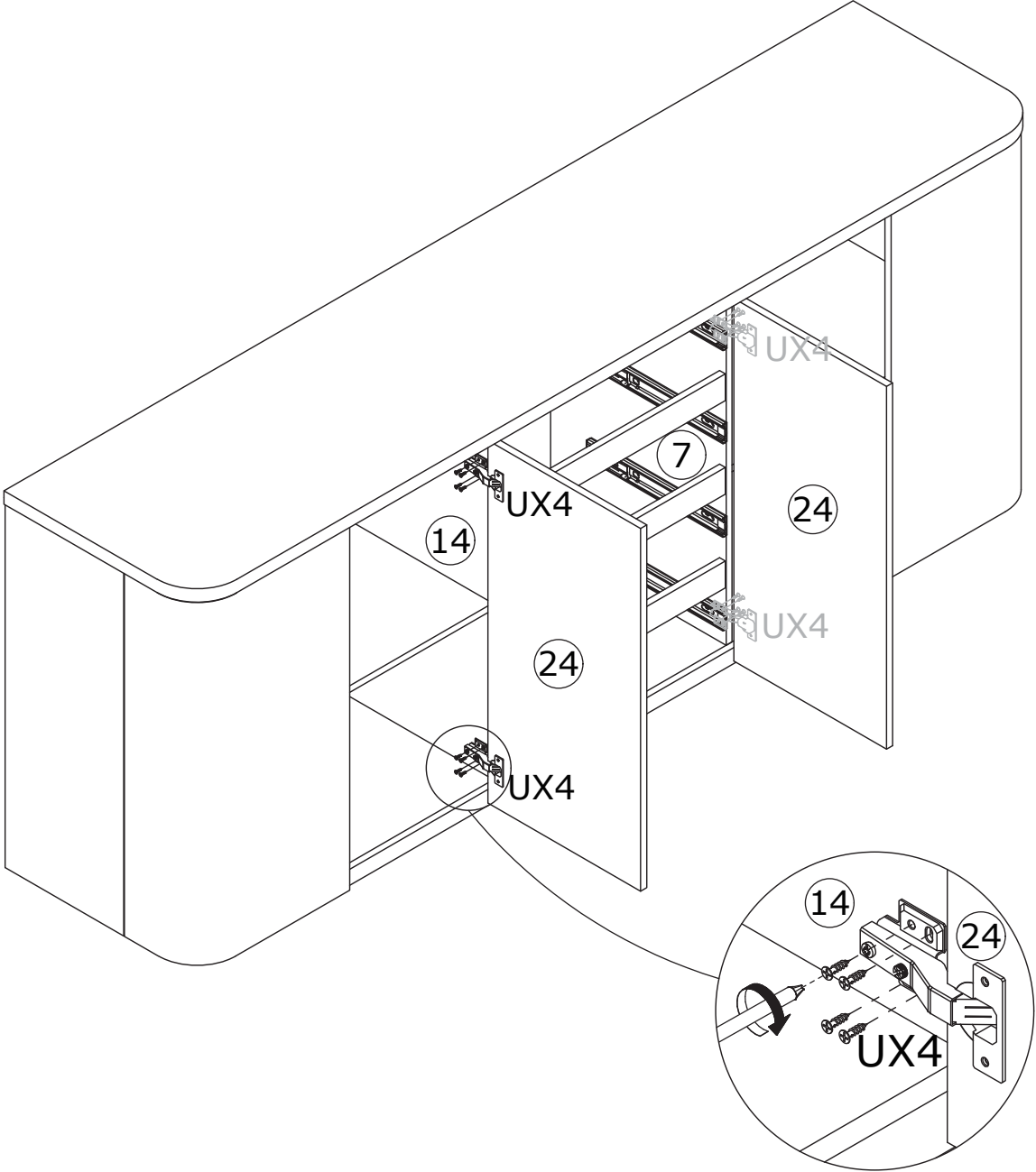
As shown, use screws (U) to fix component (F) to panel 24.



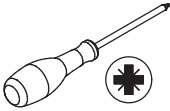
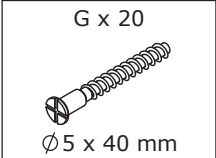
41



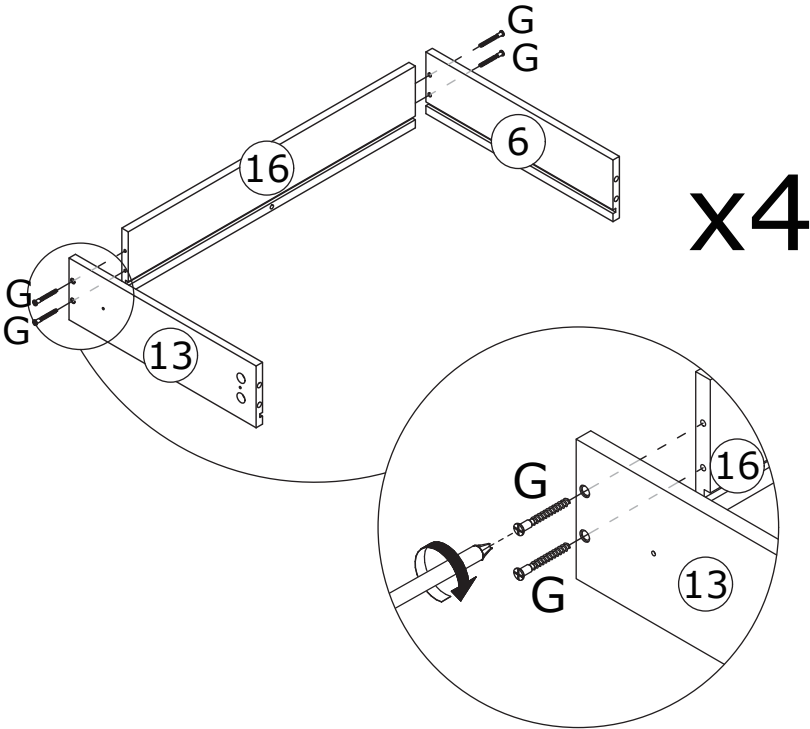
As shown, use screws (U) to connect panel 24 to the assembly unit.



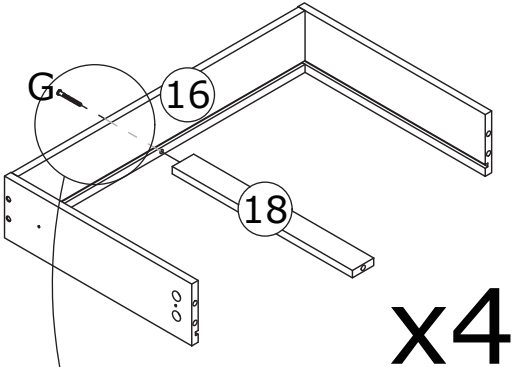
42



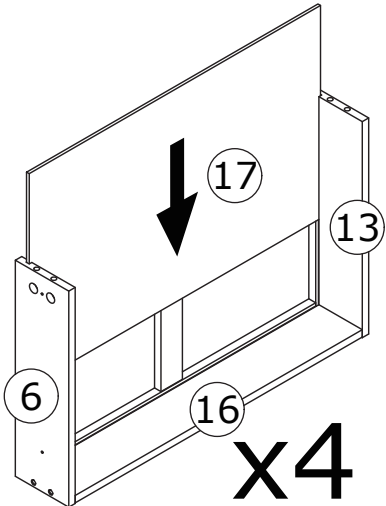
As shown, use screws (G) to connect panel 13 and panel 6 to panel 16; use screws (G) to connect panel 18 to the assembly unit; insert panel 17 along the available slot(s).



x4

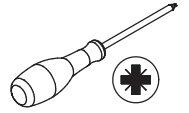
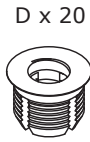
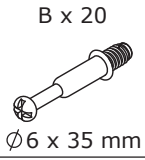


x4

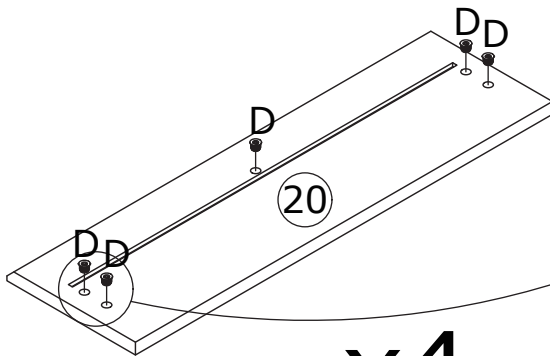
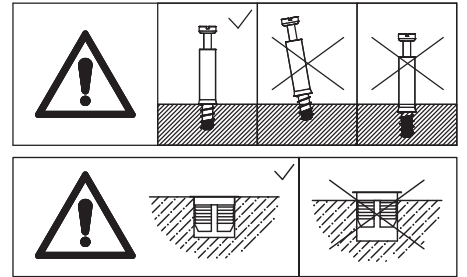


x4

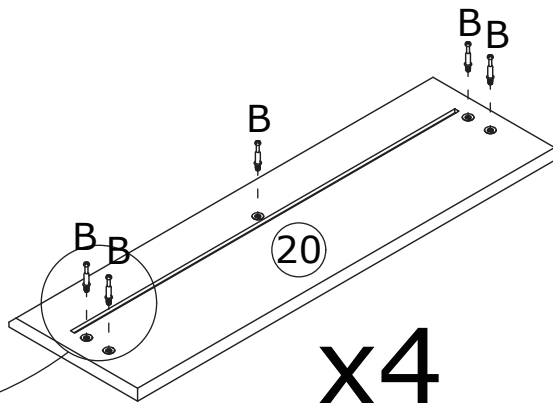
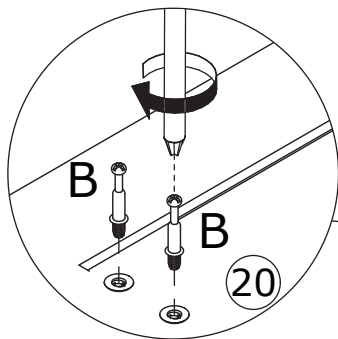
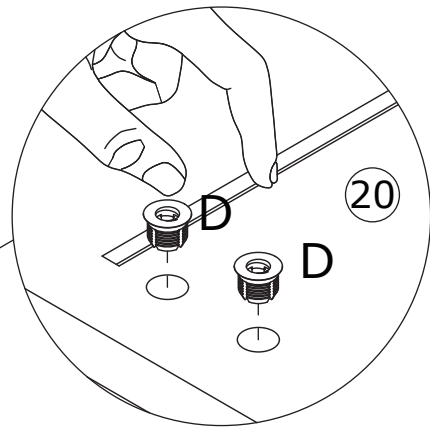
# 43



As shown, add component (D) to panel 20, and screw the self-tapping bolt (B) into panel 20.



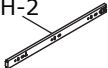
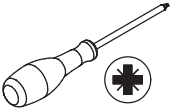


x4

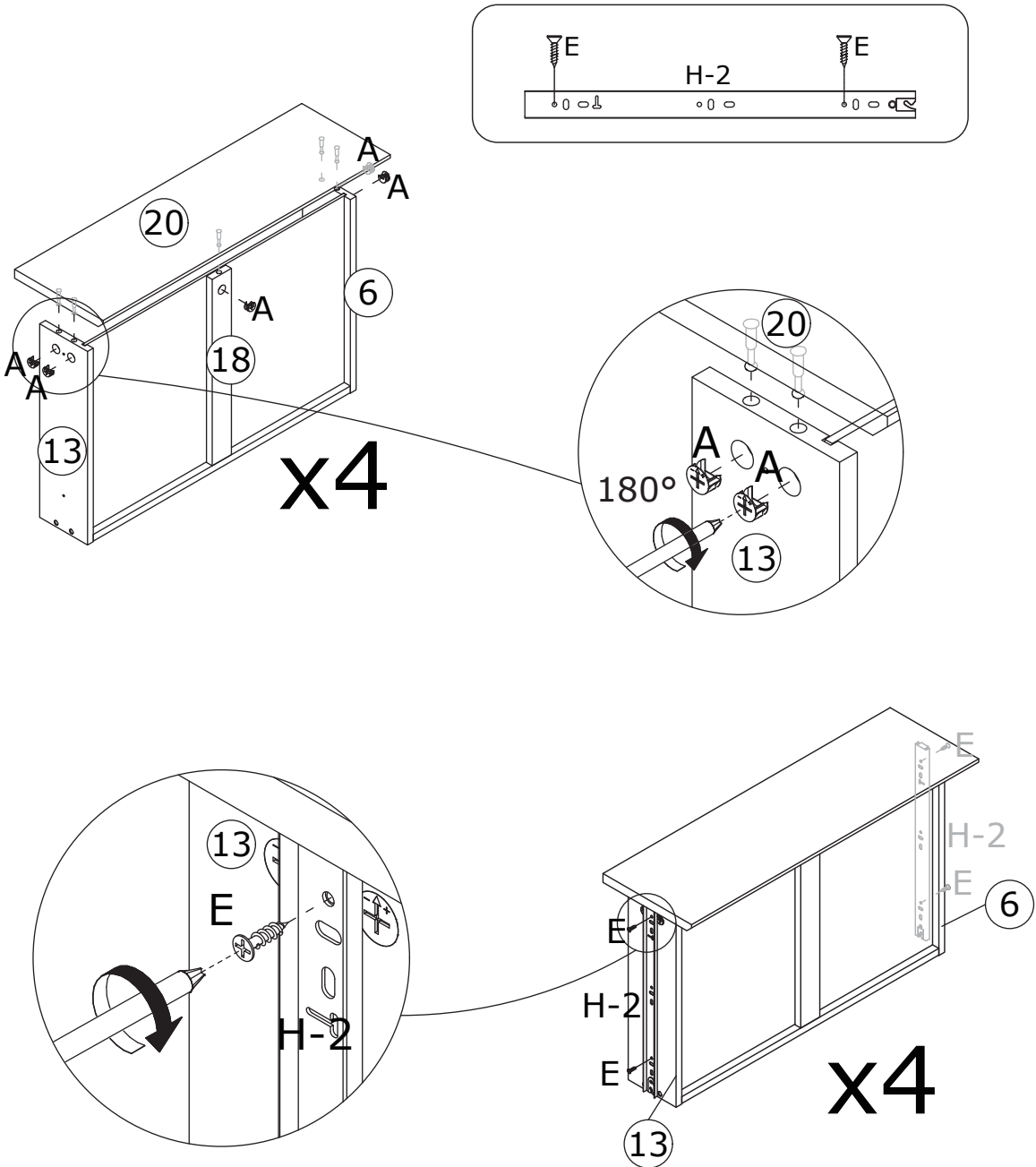
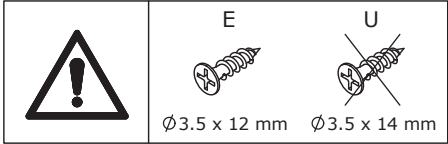
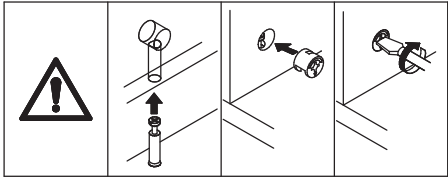


x4

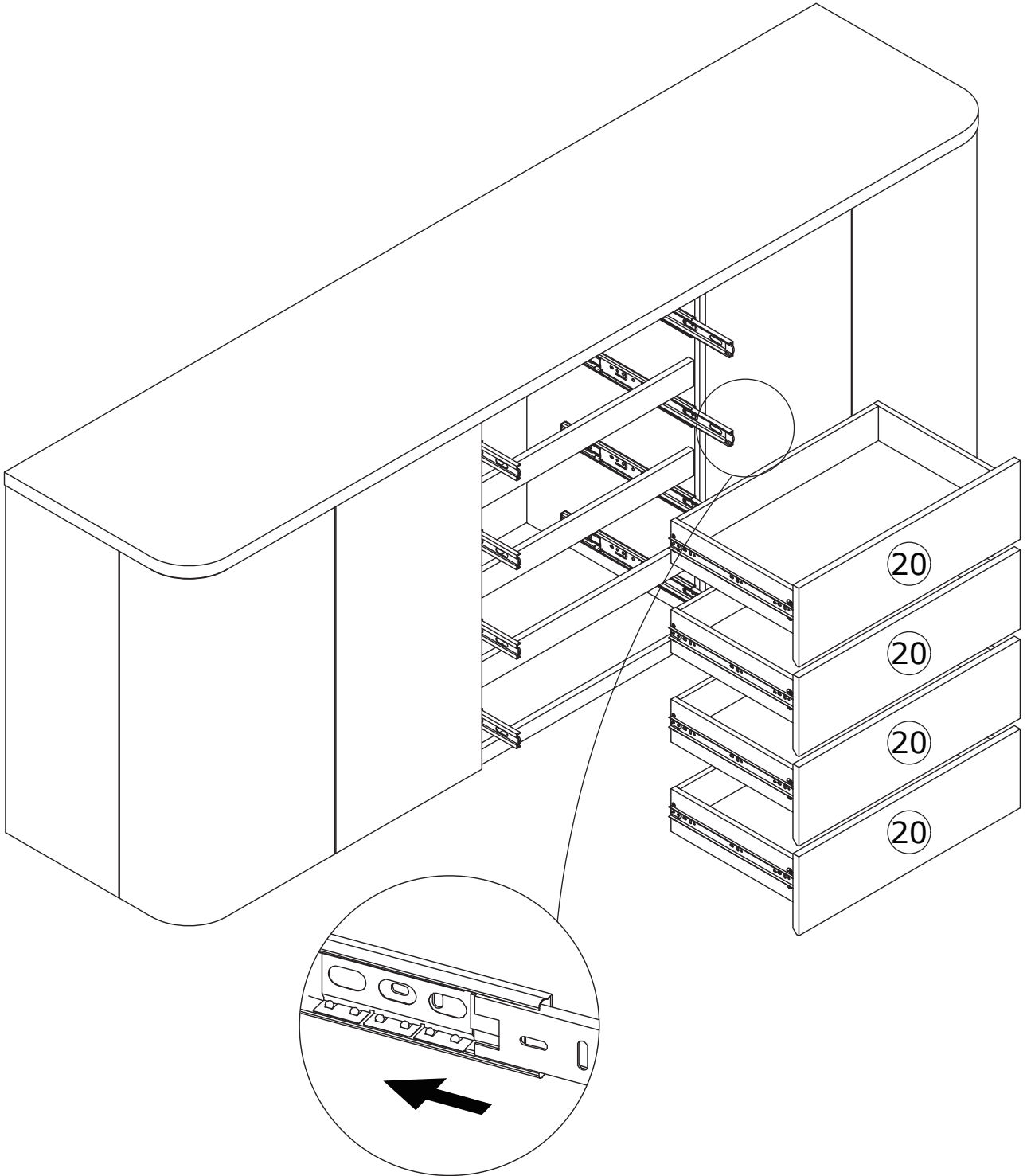
44

A x 20  Ø 15 x 10 mm	E x 16  Ø 3.5 x 12 mm	H x 8  350 mm	
---	--	--	---

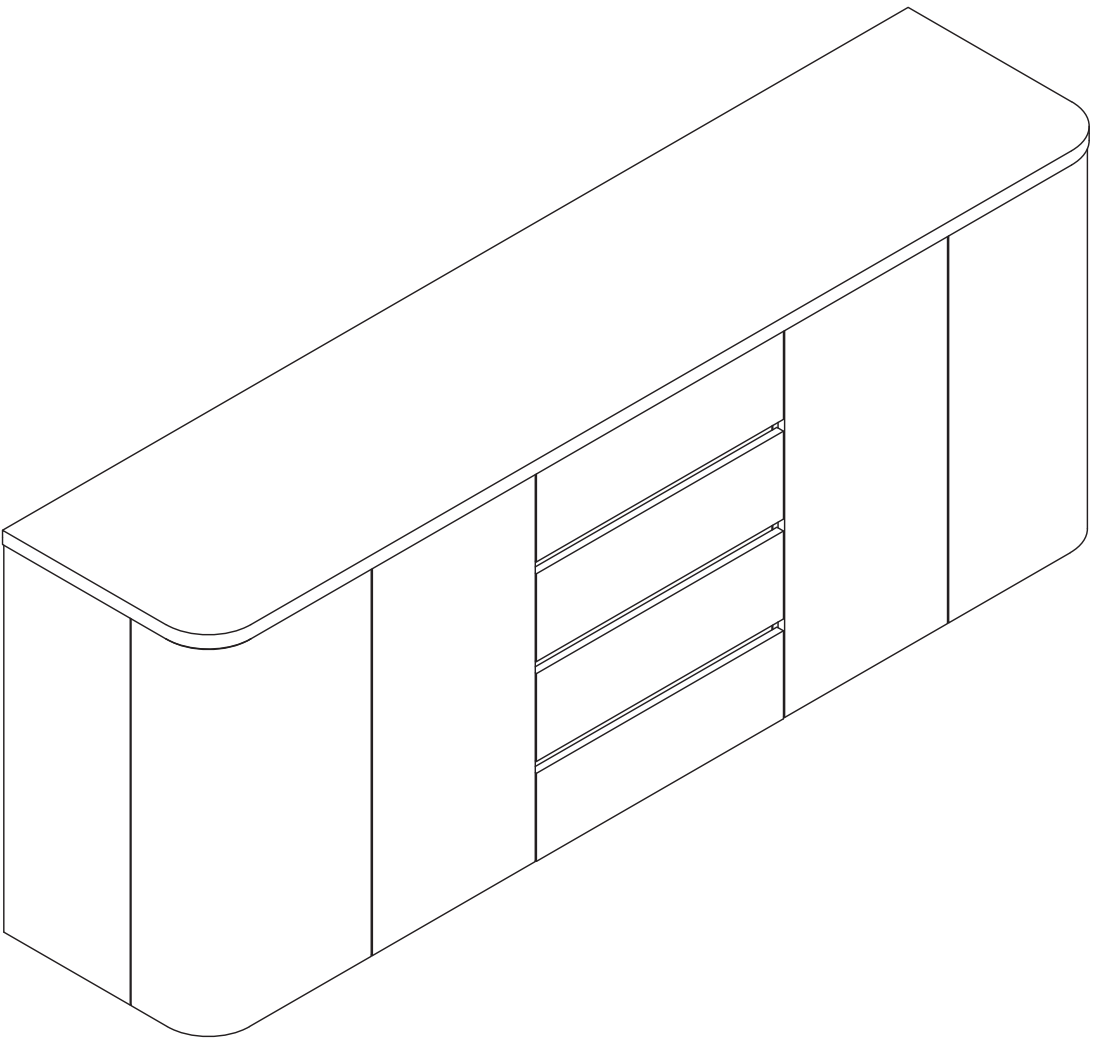
As shown, connect panel 20 to the assembly unit and add cam lock (A) tightening by rotating clockwise; use screws (E) to fix slide rail (H-2) to panel 6 and panel 13.

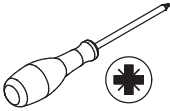


45



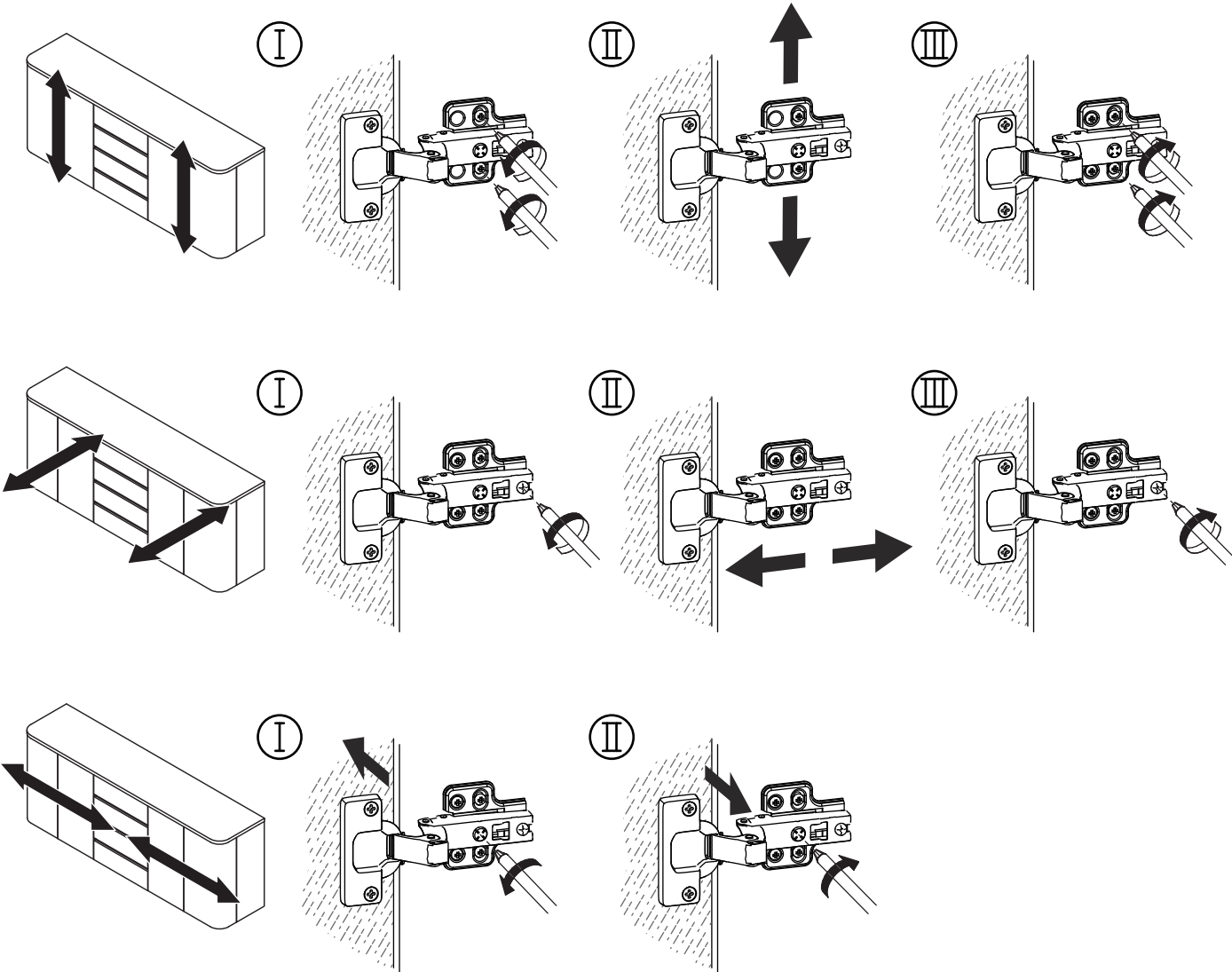
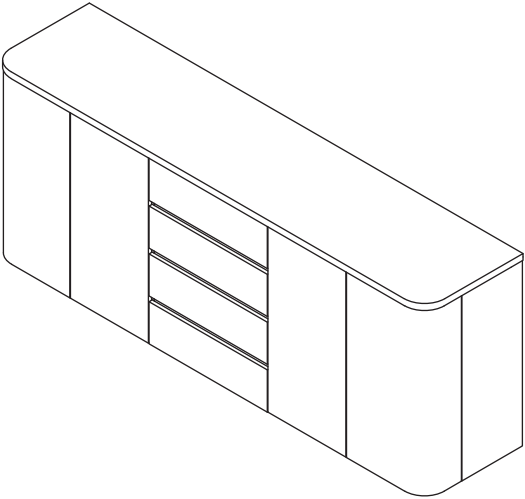
46





If doors are still not aligned if the hinges are properly correctly, please watch the video.

<https://youtu.be/n0Lb36SoODM>



# WARRANTY

## WARRANTY CLAIMS

- There is a 30-day warranty for broken furniture or any other problems that do not work properly. The warranty will start from the date of purchase which must be verified by proof of purchase.
- Before making a claim, we may be able to answer your query, simply call us. Please leave your purchase order number, along with some details of the problem, if you want a replacement part. We will arrange within 48 hours. If there is out of stock, we will reply with a shipping date.
- The product must be used in accordance with the instructions provided. For health reasons.
- For other reasons, if the furniture needs to be returned, it must be cleaned and dried and operated within 30 days of receipt.

## Type of Warranty Claim

- Failure to follow the furniture instructions will invalidate the warranty. Attention please.
- Does not include damage during installation, but includes damage during transportation.

## Scope of responsibility

- Shall not bear any responsibility for misuse or user damage and / or loss of parts during the installation of furniture.
- After using, the damage and scratches of the furniture are not covered by the warranty.

## The Warranty Relates to All Bought in The Us and Covers The Following Areas

- Sheet parts: 1 month from the date of purchase.
- Electrical parts: 1 month from the date of purchase.

# RETURNS

## CHANGED YOUR MIND AND NEED TO RETURN YOU ITEM?

### PLEASE FOLLOW THE BELOW INSTRUCTIONS:

- If you have purchased and have simply changed your mind, follow the retailer's instructions for returns.

### DEFECTIVE ITEMS

- If your item is defective in any way, i.e. it doesn't work but you can't identify why, in the first instance, please call us.

### DAMAGED ITEMS

- If you receive an order with obvious shipping damage from the retailer, then we suggest the delivery is refused. If the delivery has been accepted and then shipping damage is found, please follow the specific instructions advised by the retailer.  
In all circumstances please save all packaging material and paperwork for the order. Please be aware that if you dispose of packaging material or attempt to return the merchandise without contacting the fulfiller, you jeopardise your chances of making a claim, and you may not receive a credit for the return.

### AFTER-SALES CONTACT



adelahu@fufugaga.com



208-820-0068